

FIGURE 6-1. Proposed 16ES end-plate and bolt numbering scheme.

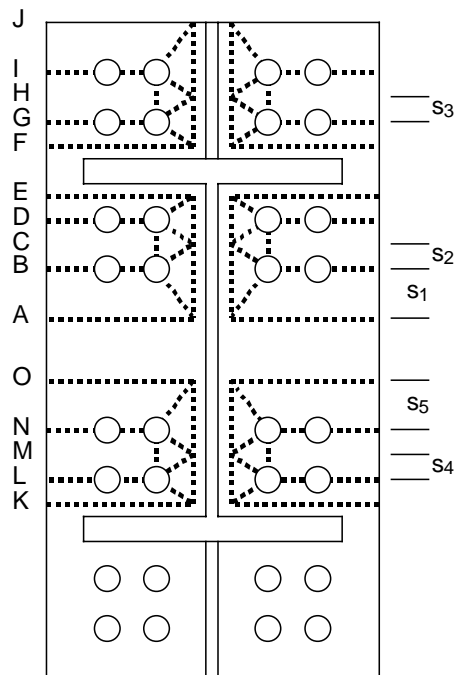


FIGURE 6-2. Controlling yield line pattern.