

Motor Cover (piece 2 of 2)

Plastic

1:1

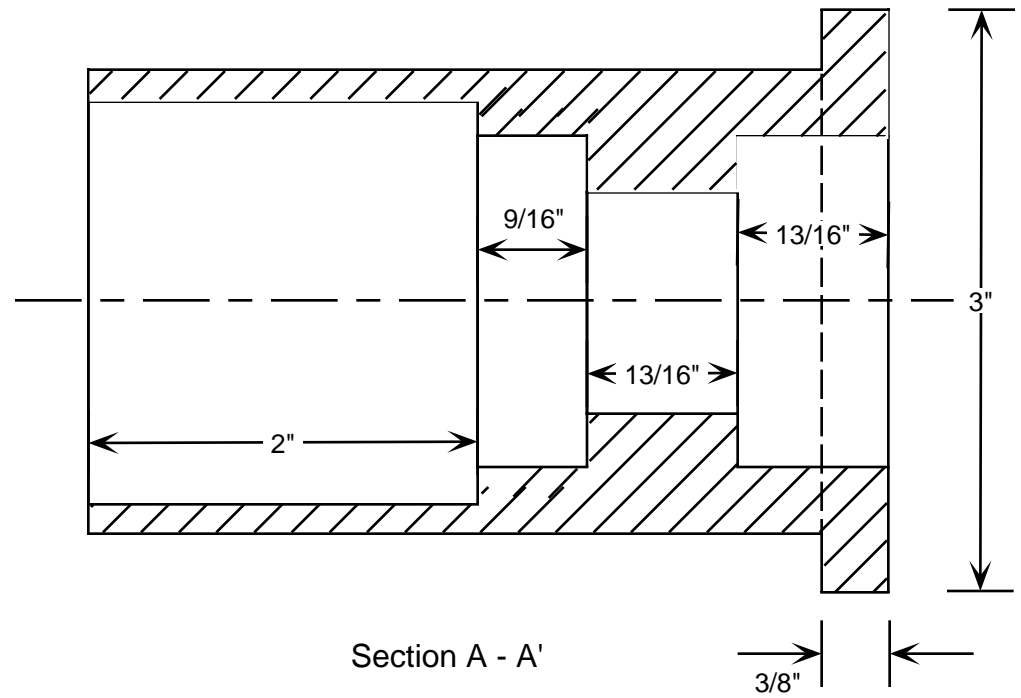
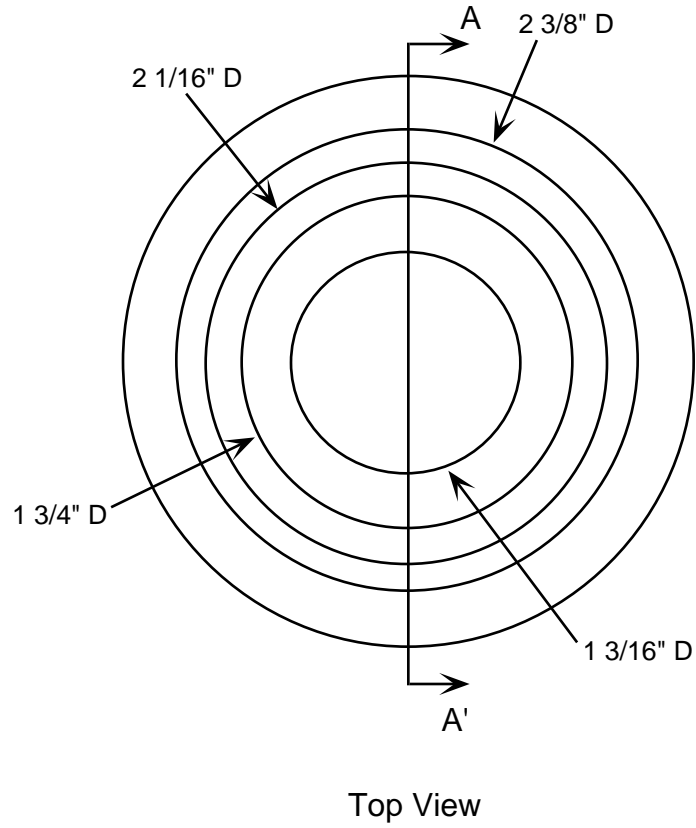


Figure A-27. Motor cover (piece 2 of 2).