

Motor Locking Support

Aluminum

1:1

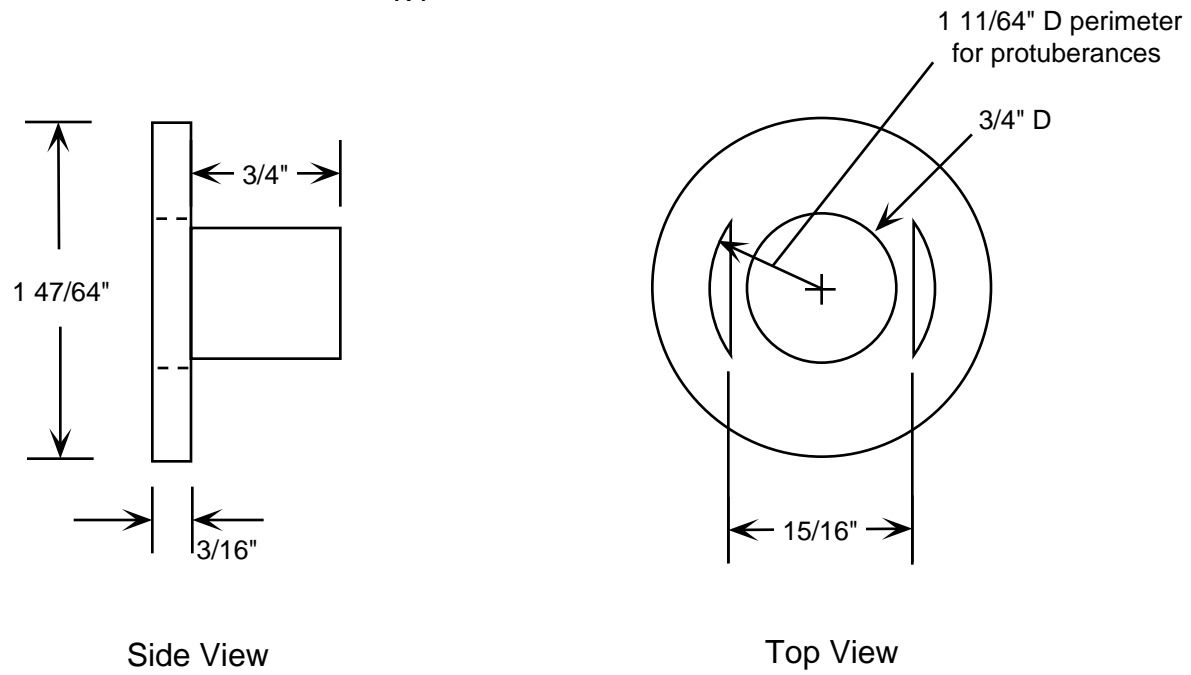


Figure A-28. Motor locking support.