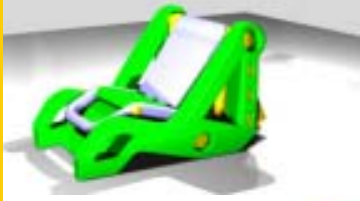
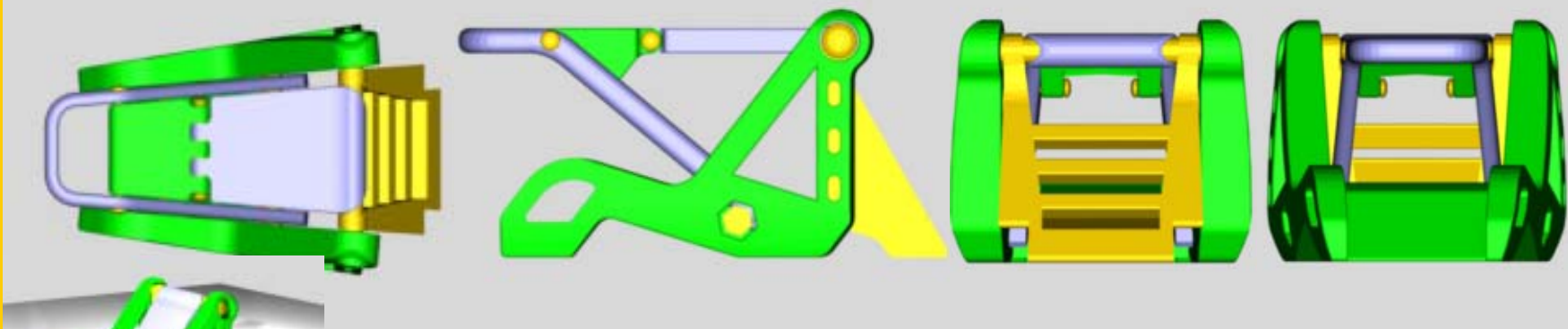
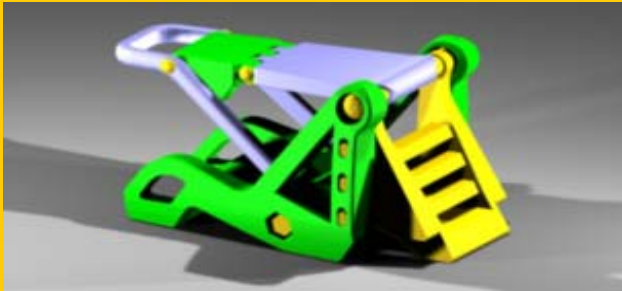
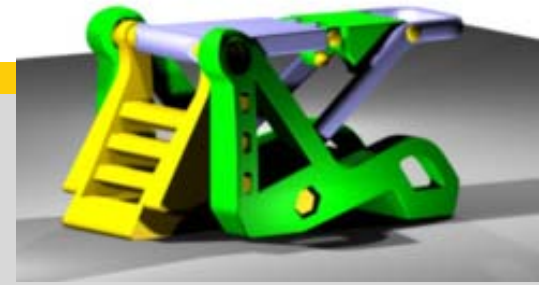
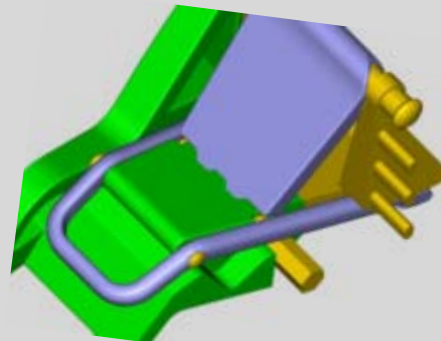
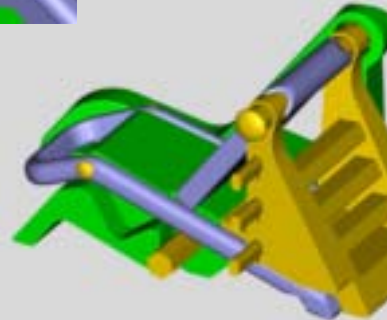
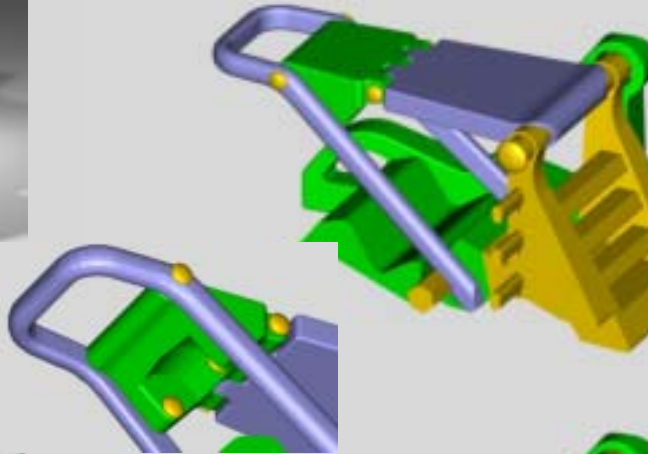


The pediatric examination table

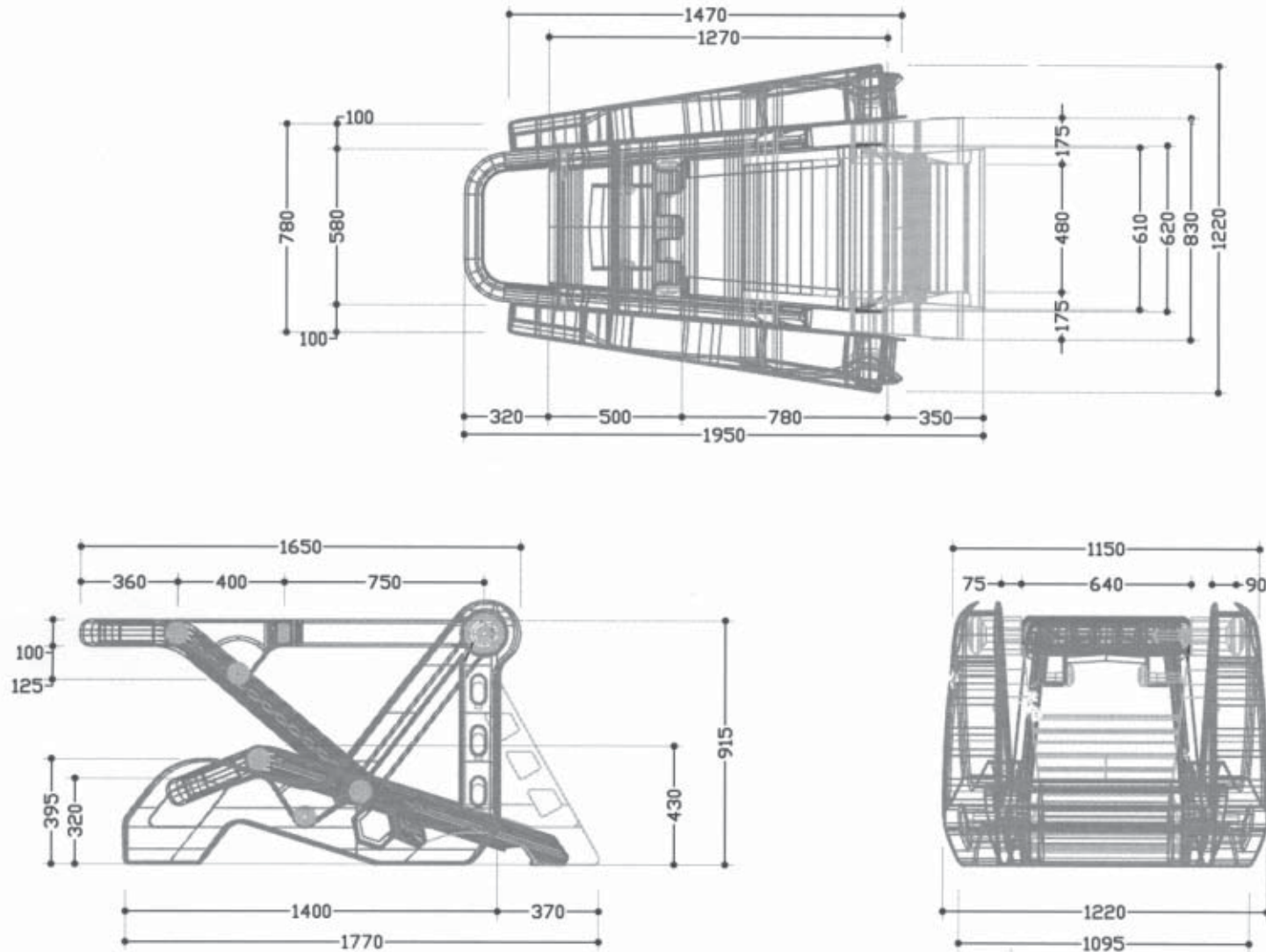




Final model

Detail showing the leg piece locked to the base and the connecting tongues of the steps piece in the table position. (side piece not showed)
Detail under the seat with dowels used to lock the seat to the leg piece.
Detail of the seat with the dowels on and the axis connecting it to the leg piece.
All axis have screwed ends. (leg piece not showed)
Same detail as above but in the chair position.
Detail showing seat and leg resting on the base in the chair position.

Dimensional drawings



All dimensions are in millimeters

1 present the front base (A)
2 insert the steps' piece (B)
aligned behind the front
base (A)

3 interlock the left side (D)
and the right side (C) with
the steps' piece (B)

4 insert the hexagonal bar
(H) through the base (A+B)
and the sides (C and D)

5 present the backrest (E)
and insert the main axis
through the right side (C),
steps' piece (B), backrest
(E), and left side (D).

Screw the axis' ends (S)

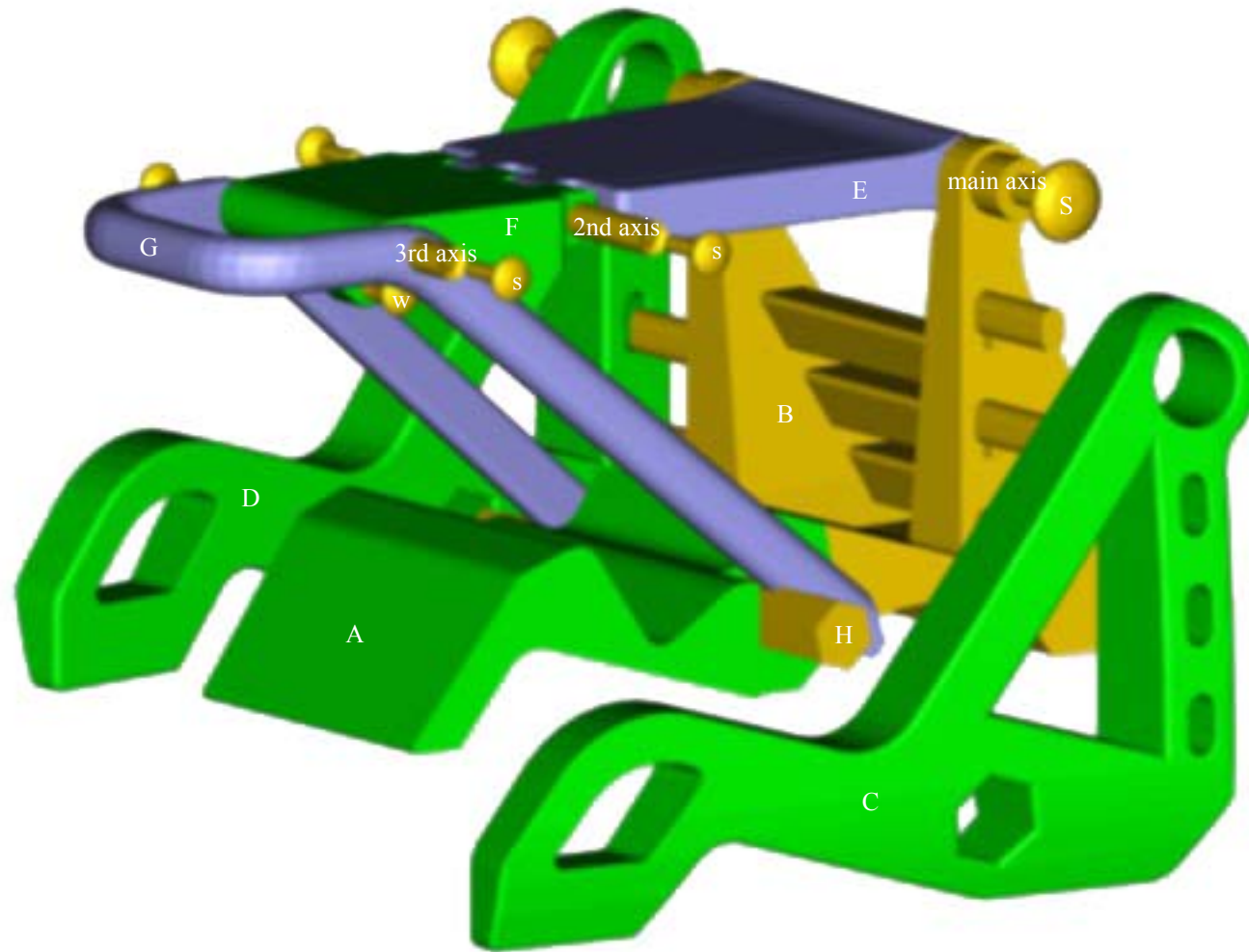
6 present the seat (F) and
insert the 2nd axis through
the backrest (E) and the
seat (F).

Screw the axis' ends (s)

7 present the leg piece (G)
and insert the 3rd axis
through the seat (F) and the
leg piece (G)

Screw the axis' ends (s)

8 lock the leg piece(G) on
the hexagonal bar (H) and
slide in the two dowels (w)
into the leg to lock the seat.



Study of the parts for assembly

Bibliography

Vitra Design Museum. Kid size.The material world of childhood. Skira editore: Milan, 1997

Design Research Associates. Research and Planning that leads to inspired user Experiences. 25 principles for designing the Brand Experience. Design Research Associates, 2000

Dennis J.Gallant, David A. Guynes, RogerK. Leib, Frederick S.Sharff. Product Development Design for Change. Journal of Healthcare Interior Design Vol III, p.73. *

Alborzi, H., Druin, A., Montemayor, J., Platner, M., Porteous, J., Sherman, L., Boltman, A., Taxén, G., Best, J., Hammer, J., Kruskal, A., Lal, A., Plaisant-Schwenn, T., Sumida, L., Wagner, R., Hendler, J. (2000) Designing StoryRooms: Interactive Storytelling Spaces for Children. In Designing Interactive Systems (DIS-2000). <<http://www.cs.umd.edu/~monte/papers>>, january 2002

Toy safety. <<http://cpsc.gov/cpscpub/pubs/grand/toy/toysafe.html>>

Centre Georges Pompidou <<http://www.centrepompidou.fr>>

Children's Museum of Los Angeles <<http://www.childrensmuseumla.org/campuses.html>>

Lella Gandini.Not just anywhere:making Child Care Centers into “Particular”Places.from Beginnings Workshop “special Places for Children_The schools in Reggio Emilia, Italy”. Child Care information Exchange: Redmond WA, reprinted from “Designing Indoor Spaces”: Beginnings, Summer 1984

Giulio Ceppi and Michele Zini. Children spaces relations.Metaproject for an environment for young children. Domus Academy Research Center: Reggio Emilia.Italy, 1990

Nancy Shute.Madam Montessori. Fifty years after her death, innovative italian educator Maria Montessori still gets high marks. Smithsonian, september 2002. p70

Anita Rui Olds. With Children in Mind: Novel approaches to waiting area and playroom design. Journal of Healthcare Interior Design Vol III, p.111*

Ro logripo, In my world:designing living and learning environments for the young. John Wiley&Sons, inc: New York, 1995

Sara O.Marberry and Laurie Zagon, The power of Color. Creating Healthy Interior Spaces. John Wiley&Sons, inc: New York, 1995

AntonioF. Torrice, Color for Healing. Journal of Healthcare Interior Design Vol I, p.35*

Laurie Zagon, Colors for Healthcare. from Design technology:selecting appropriate colors for healthcare (two hour workshop in which participants used watercolors to do painting exercises). Journal of Healthcare Interior Design Vol V, p.135*

Jill H.Hall. Child Health Care Facilities. Journal of Healthcare Interior Design Vol II p.65*

Karin Tetlow. CEU Course: Research improving the Quality of Healthcare Design. Journal of Healthcare Interior Design Vol VI, p.177*

David G. Johnston and Richard Ridley. Primary Care Centers Design and Construction. Appalachian Regional Commision:Washington DC, 1977

Picture Credits



- p.4 Midmark 307 powered exam table <<http://www.quickmedical.com/midmark/pwer/index.html>>
- p.6 Joan Miro's The encircled prophet,1965 <<http://www.hamiltonseway.com/miro/lepropheteencercle.jpg>>
- p.7 Centre Pompidou main facade <<http://www.galinsky.com/buildings/pompidou/pompi-pompidou1.jpg>>
 Centre Pompidou side facade <<http://www.danhelle.com/images/Europe/France/centrepomp01-big.jpg>>
 "Les portes du design ou l'aventure de l'objet" <<http://www.centrepompidou.fr/Pompidou/Manifs.nsf/Docs/ID754E21060CB0115EC125685D006E854F?open Document>>, October2001
 Magnetic puzzle "the game of the ideal chair" <http://www.dlib.org/dlib/december01/images/2988-039_nev.jpg>
- p.8 San Francisco Exploratorium <<http://www.apple.com/scitech/stories/exploratorium/images/exibits3.jpg>>
 San Francisco Exploratorium (2 pictures) <<http://www.centrepompidou.fr/Pompidou/Home.nsf/docs/fhome/1.jpg>>
 "Ombres et lumieres" <<http://www.centrepompidou.fr/Pompidou/Home.nsf/docs/fhome/Gal-expos-itinerantes03>>
 "Atelier des enfants"
- p.15 Ritter 222 High-Low Power Examination Table <<http://www.midmark.com/images/hires/Child222-H.jpg>>
 Midmark 411 Power Examination Table (chair) <http://www.midmark.com/images/hires/411_left_no_foot_cont-H.jpg>
 Midmark 411 Power Examination Table (flat) <http://www.midmark.com/images/hires/411_flat-H.jpg>
 Goodtime Medical: "Purple Engine" <<http://www.goodtimemedical.com/pediatric/purpleengine>>
 Goodtime Medical: "Train" <<http://www.goodtimemedical.com/pediatric/train>>
 Zoopals: "Dinosaur" and "Elephant" <<http://www.pediapals.com/pediatric-medical-exam-tables.htm>>
- p.16 Little Tikes "Wave Climber" <<http://www.littletikes.com/toyfinder/smallwindow.asp?img=/productimages/full/f-4329-A.jpg>>
 Little Tikes "8 in 1 Adjustable Playground" <<http://www.littletikes.com/toyfinder/smallwindow.asp?img=/productimages/full/f-4331-B.jpg>>
 Little Tikes "Easy Adjust Play Table" <<http://www.littletikes.com/toyfinder/smallwindow.asp?img=/productimages/full/F-7106-D.jpg>>
- p.17 Metro Lifeline cardiology cart <http://www.metro.com/display_product.cfm?ID=121>
- p.18 Zocker chair for children.(2 pictures) Vitra Design Museum. *Kid size.The material world of childhood.*(Skira editore: Milan, 1997), p.265
 Filius seating. Vitra Design Museum. *Kid size.The material world of childhood.*(Skira editore: Milan, 1997), p.265
 Mane rocking chair.Vitra Design Museum. *Kid size.The material world of childhood.*(Skira editore: Milan, 1997), p.259
 Trisserne children's stools.Vitra Design Museum. *Kid size.The material world of childhood.*(Skira editore: Milan, 1997), p.268
 Stacking chairs for children. Anne Hoy, *Design For Living Furniture and Lighting 1950-2000.*from Catalogue (Flammarion: Paris, 2000) p.84
- p.19 Multi-Chair diagram. Anne Hoy, *Design For Living Furniture and Lighting 1950-2000,* from Catalogue.(Flammarion: Paris, 2000) p.84
 Antropometric Data- Male and Female Children. Henry Dreyfuss,*The measure of man; human factors in design.*(Whitney Library of design: NY, 1967)
- p.20 Dental chair. Henry Dreyfuss,*The measure of man; human factors in design.*(Whitney Library of design: NY, 1967)
 Wink armchair. Anne Hoy, *Design For Living Furniture and Lighting 1950-2000,* from Catalogue.(Flammarion: Paris, 2000) p.159
 Chaise Longue. Maurizio di Paolo. Le Corbusier, Charlotte Perriand, Pierre Jeanneret, "La Machine a s'assoier".(DeLuca:Roma,1976) p.42 and p.84
 The perfect Zero gravity contemporary recliner <<http://www.thebackstore.com/perzerangrav.html>>
- p.21 Rotomolded parts <<http://www.rotomolding.org/photogal.asp>>
 Little Tikes Hide & Slide Climber <<http://www.littletikes.com/toyfinder/smallwindow.asp?img=/productimages/full/f-4837-1.jpg>>

Committee members for the constant support

Edward Dorsa for the guidance in making the 3D model

Andy Honaker for the assistance with computers in the development the book

Heather Ball and the staff of the Architecture Library for the help during research

Peter Buescher for editing my proposal and Bonnie Johnson for the research suggestions

Guy for the unconditional comprehension and support

Sylvie, Chantal and Etienne for being my amazing children

Vita

Elena D'Alessandro was born in Montevideo, Uruguay in 1967.

In 1997 she graduated as an Architect from the school of Architecture, University of the Republic of Uruguay (Facultad de Arquitectura de la Universidad de la Republica Oriental del Uruguay). She is an independent architect since then. In August 2000 she began her graduate studies in Industrial Design in the College of Architecture and Urban Studies at Virginia Tech, which culminated with this thesis project.

She is married to Guy Hareau and they have three children, Sylvie, Chantal and Etienne.