

Figure 2.1 3' x 2' Subsonic wind tunnel profile sketch (reproduced from Engel & Devenport, 1996)

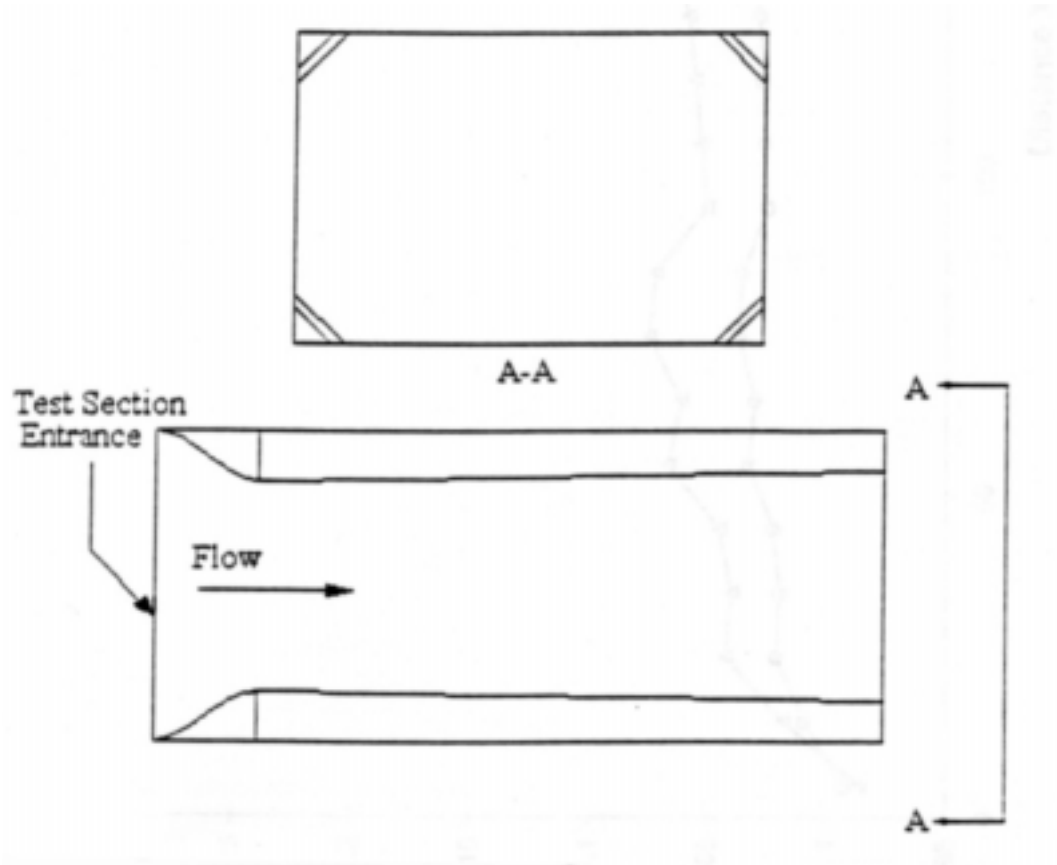


Figure 2.2 Fillet shape and location

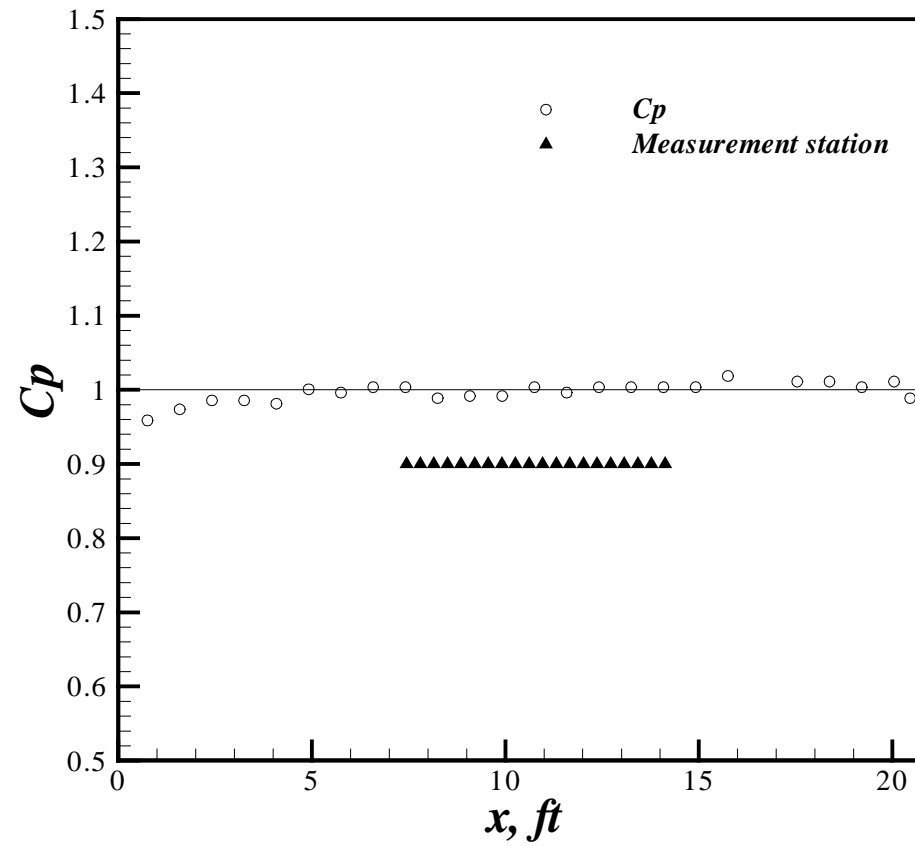


Figure 2.3 Streamwise pressure distribution and single point measurement locations

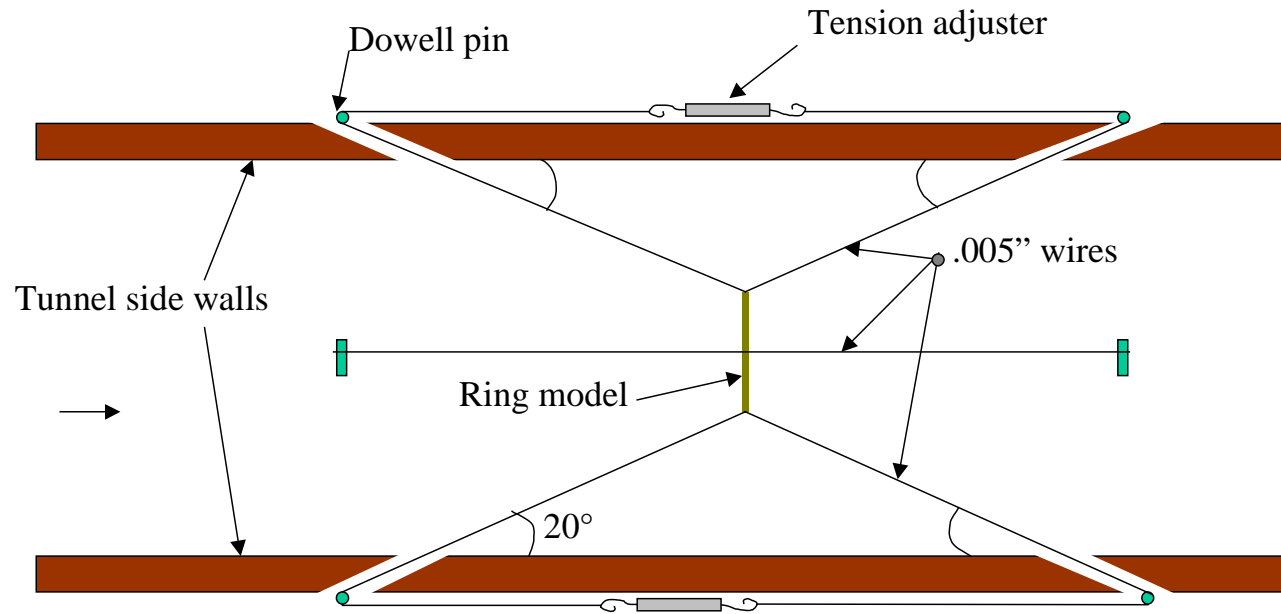


Figure 2.4 Sketch of ring model mount set up

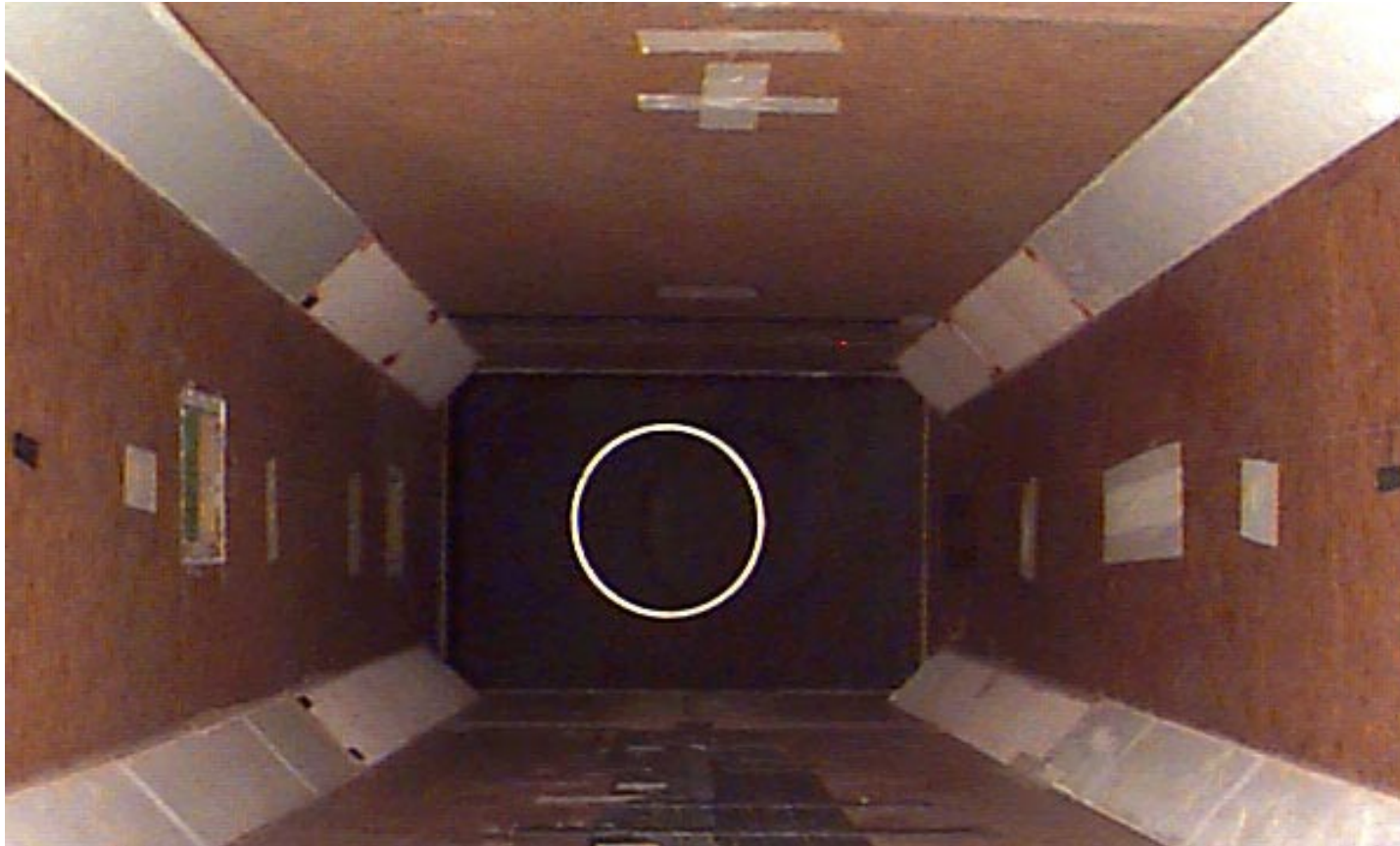


Figure 2.5 Upstream view of the ring model installed in the wind tunnel

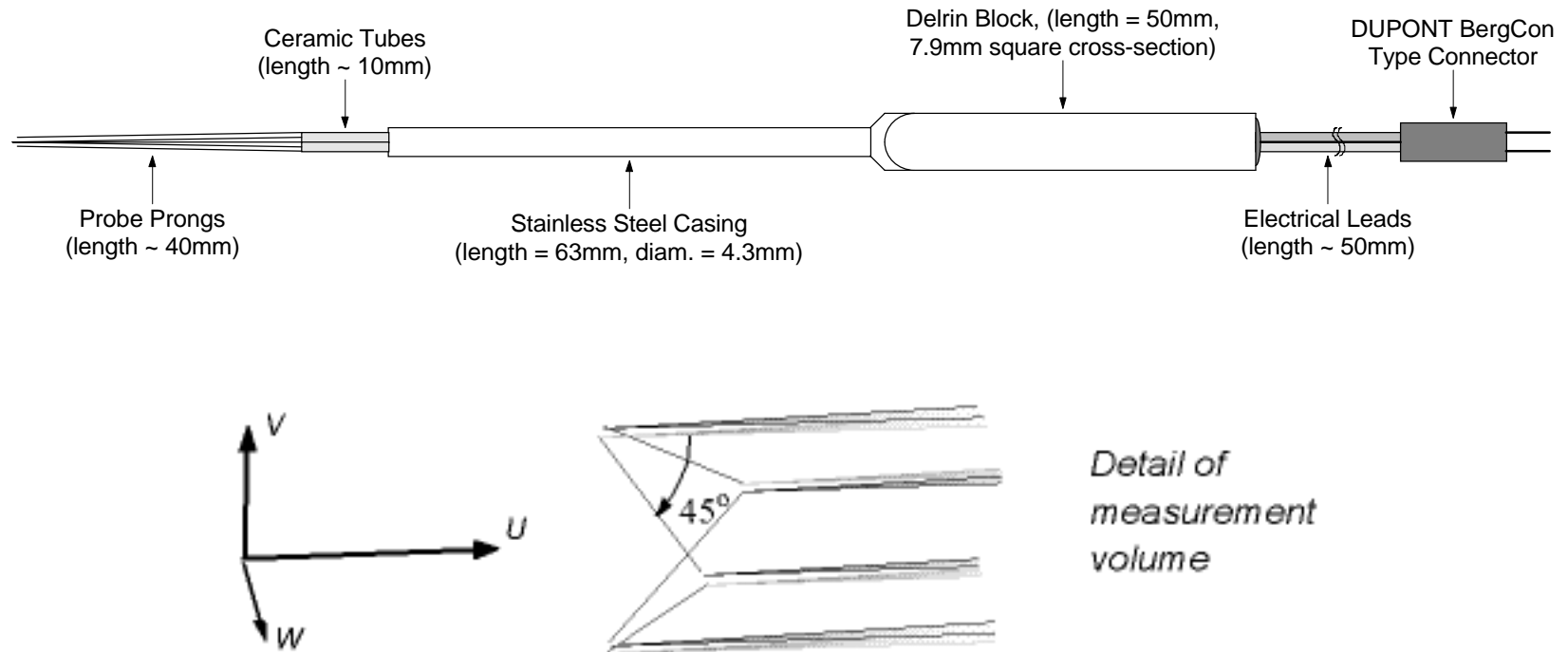


Figure 2.6 Schematic diagram of hot wire and measurement volume
(Courtesy of Chittiappa Muthanna)

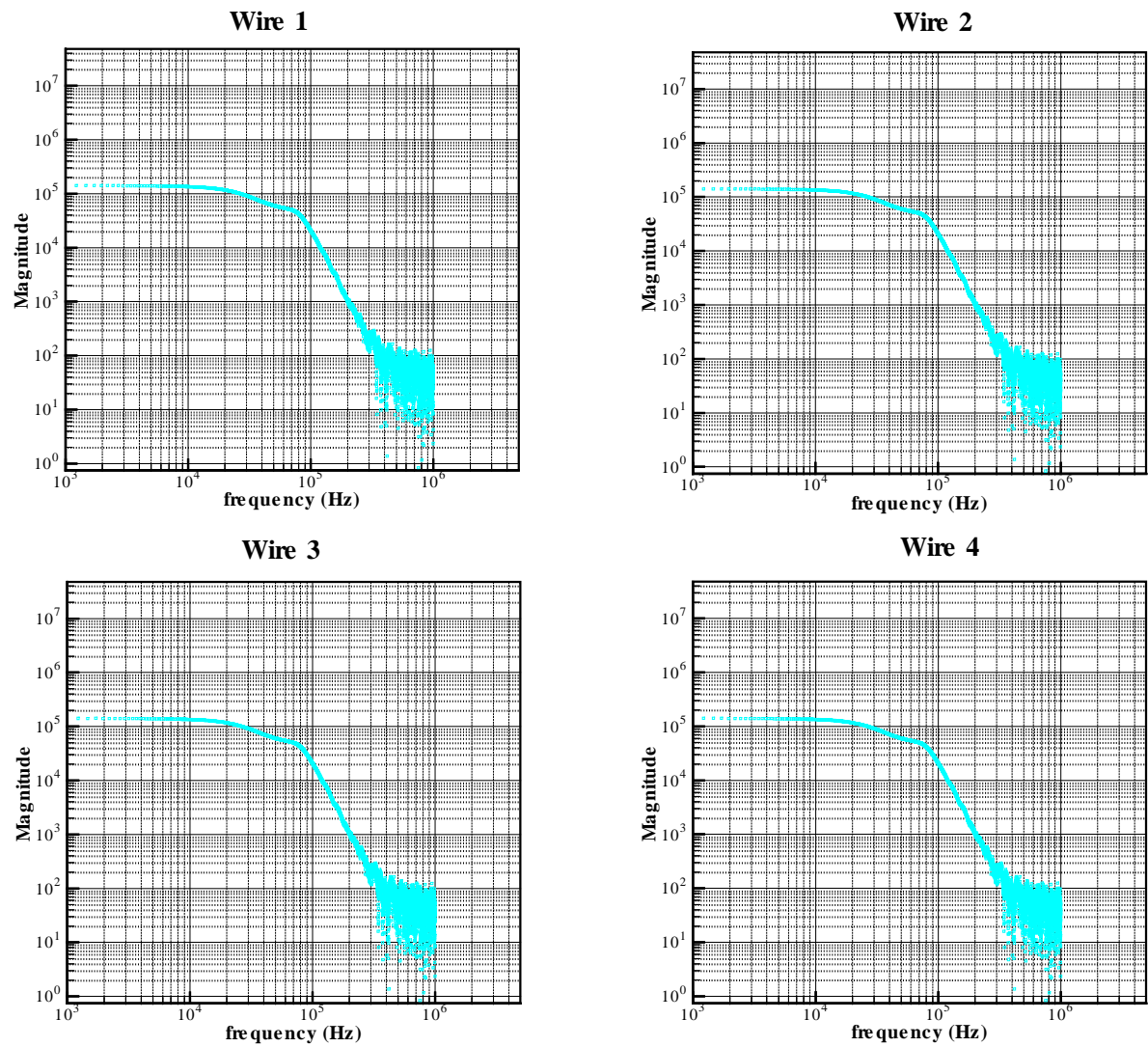


Figure 2.7 Frequency response for each of the sensor wires of the hot-wire probe (magnitude is arbitrary)

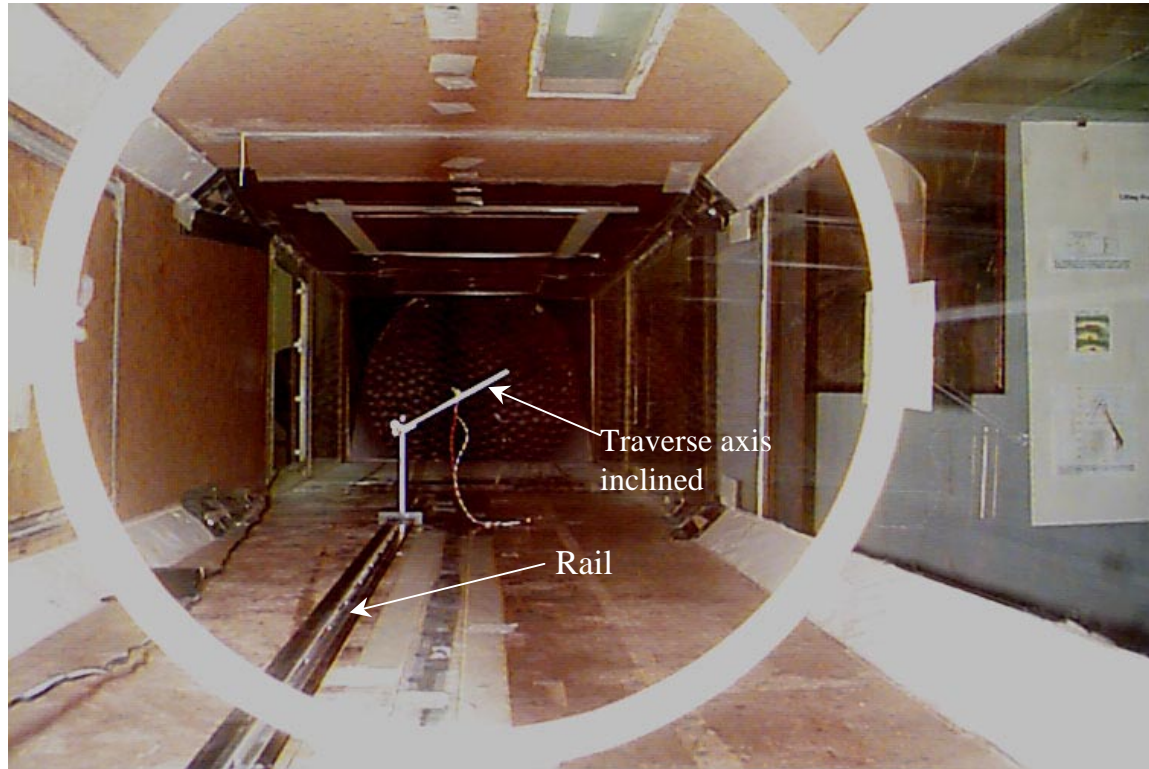


Figure 2.8 Downstream view of the ring and traversing equipment.
Traverse axis inclined 60° from the vertical axis

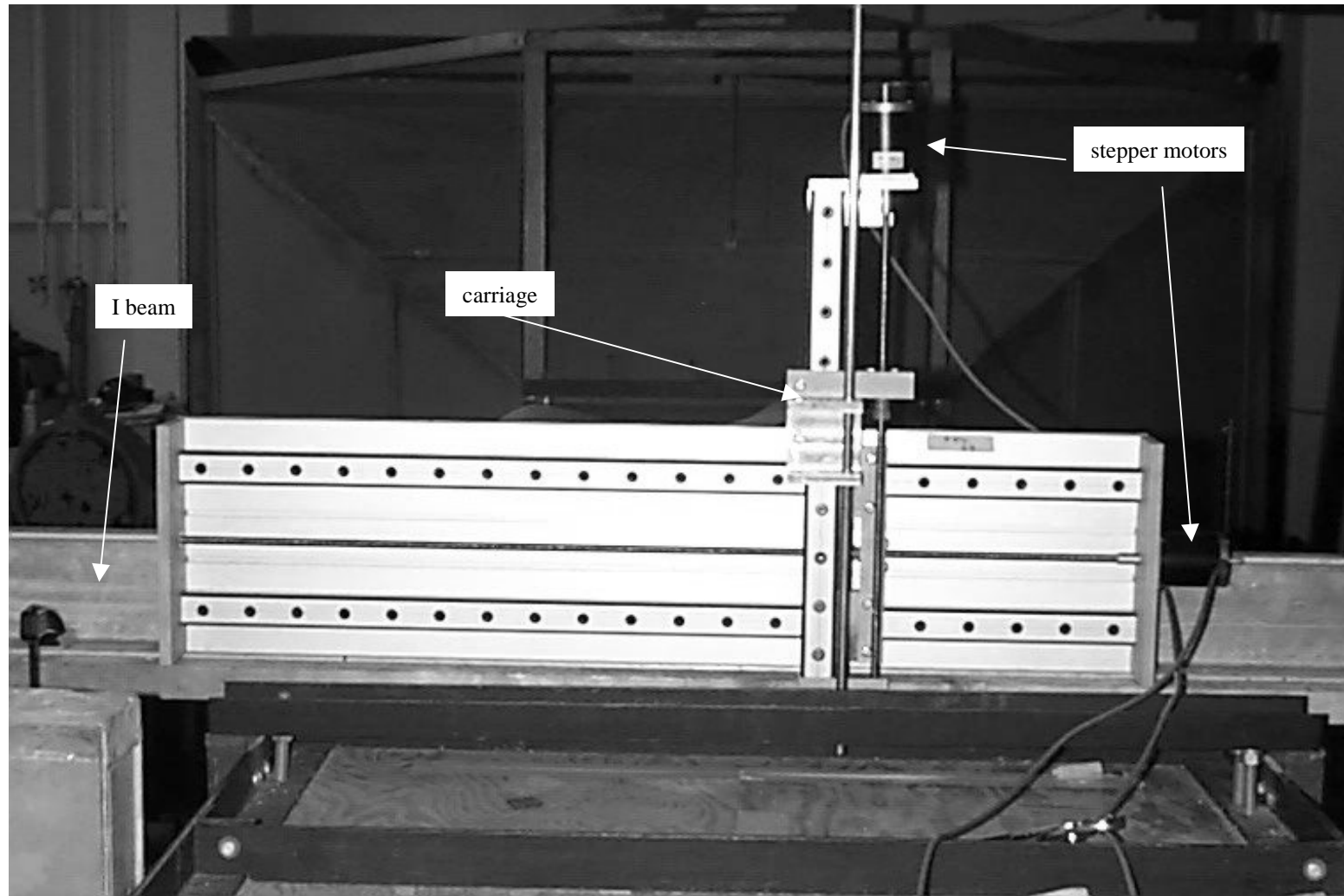
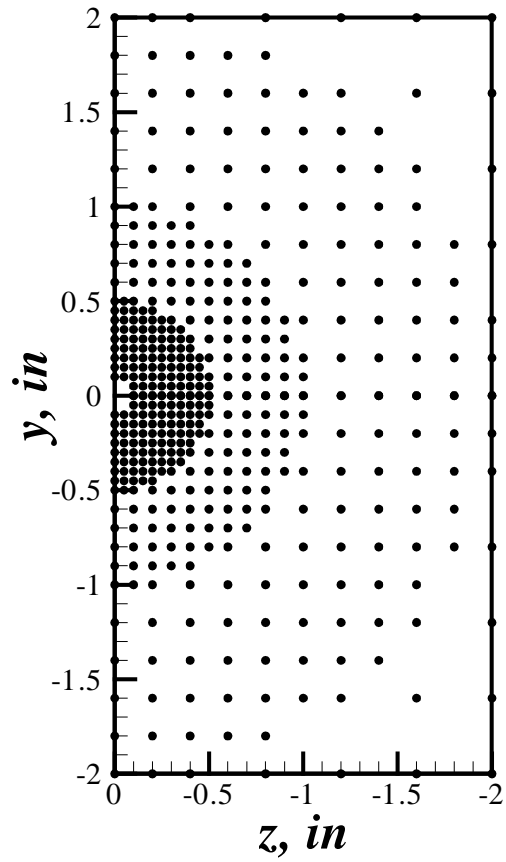
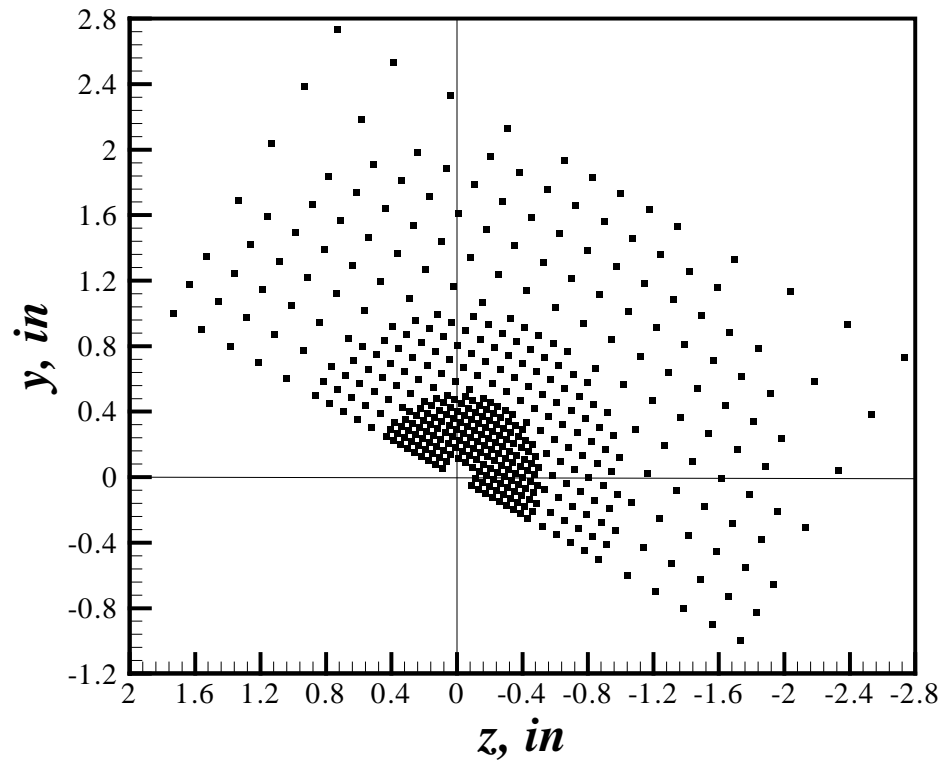


Figure 2.9 Two-axis traverse system (Courtesy of Chittiappa Muthanna)



(a)



(b)

Figure 2.10 Grid points for two point measurement for (a) plane wake and (b) ring wake