

Figure 3.1: Average Stress-Strain Plot of Reinforcing Steel

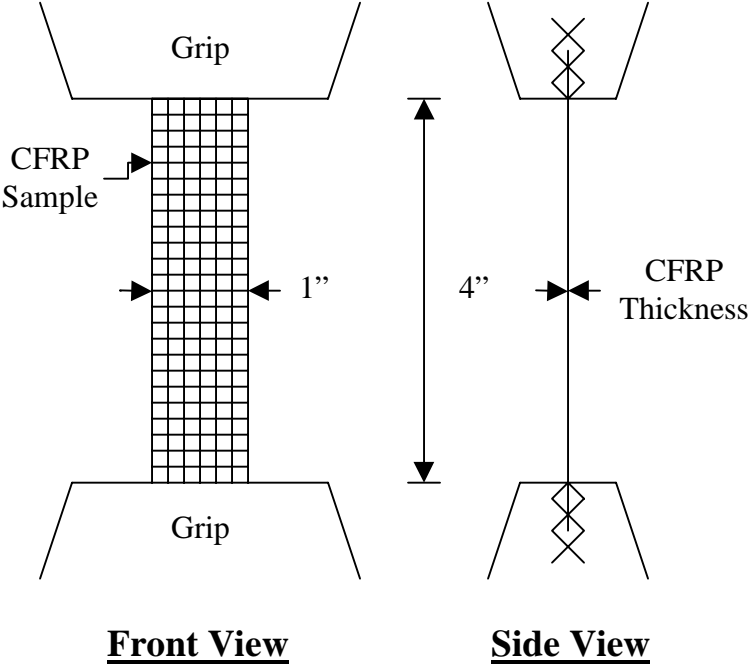


Figure 3.2: Diagram of Uniaxial Tensile Test for CFRP

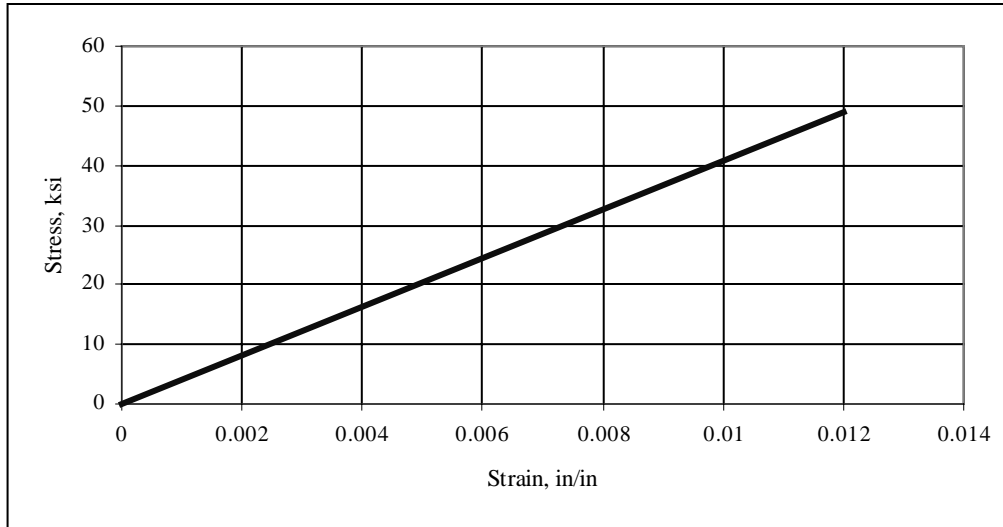


Figure 3.3: Average Stress-Strain Plot of 0°/90° CFRP

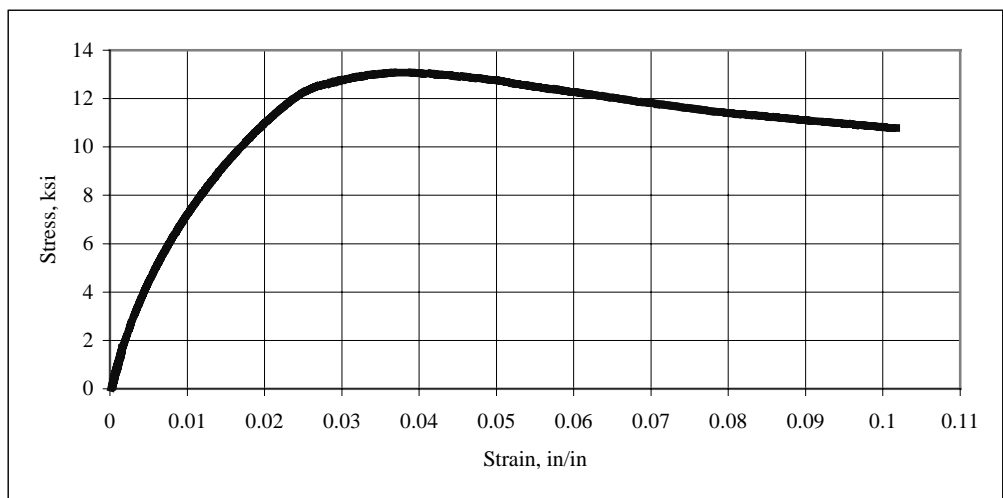


Figure 3.4: Average Stress-Strain Plot of ±45° CFRP

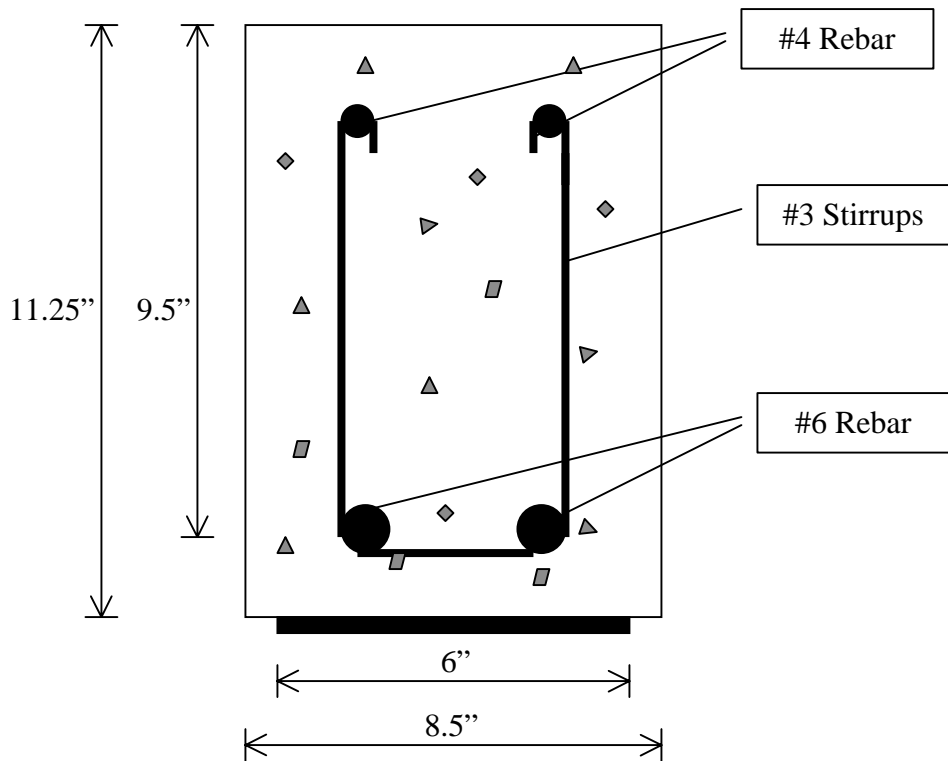


Figure 3.5: Cross-Section of Strengthened Reinforced Concrete Beam

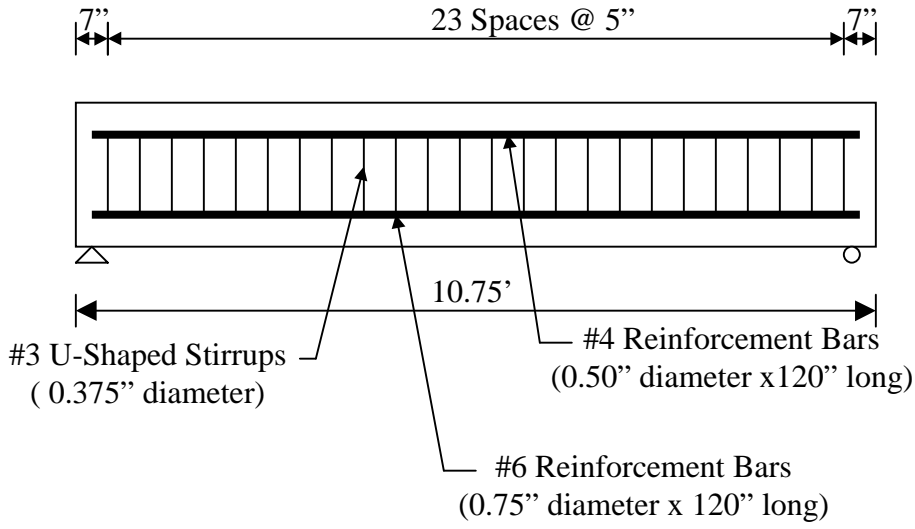


Figure 3.6: Stirrup Spacing of Reinforced Concrete Beam

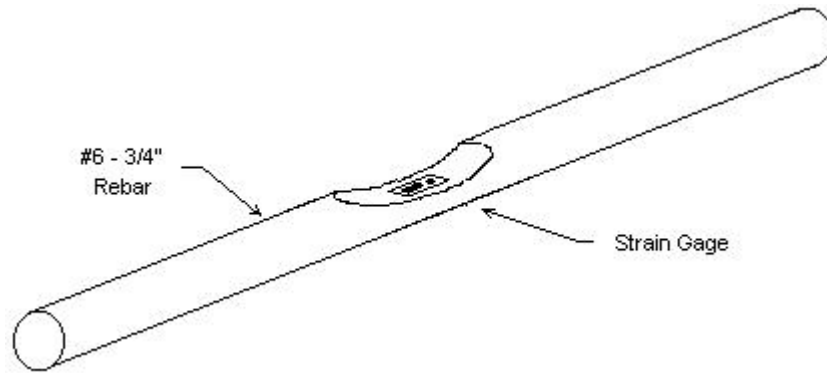


Figure 3.7: Homemade Internal Strain Gage

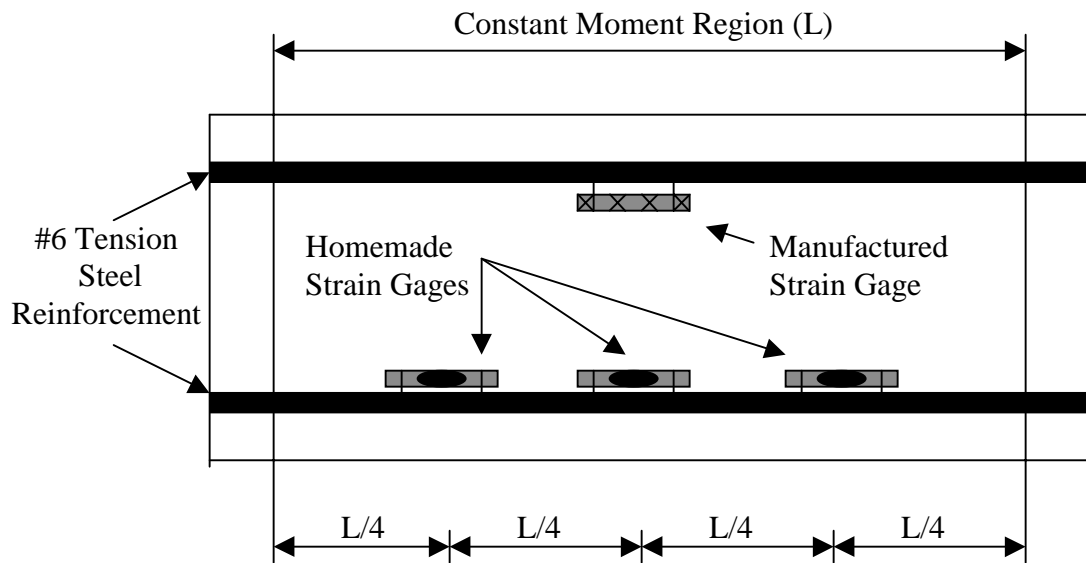


Figure 3.8: Top View of Internal Strain Gage Lay-Out

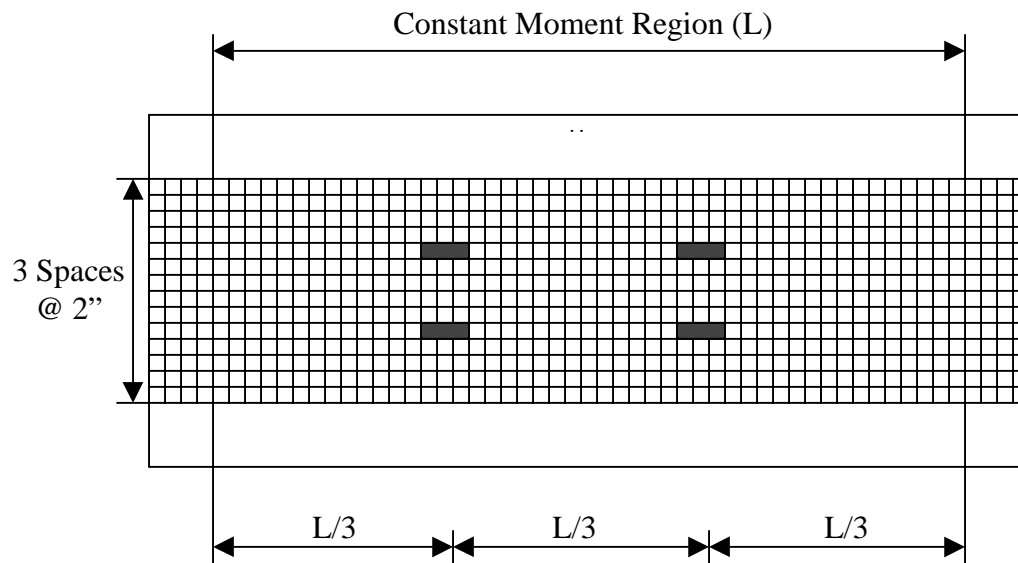


Figure 3.9: External Strain Gage Lay-Out of $0^{\circ}/90^{\circ}$ Strengthened Beams

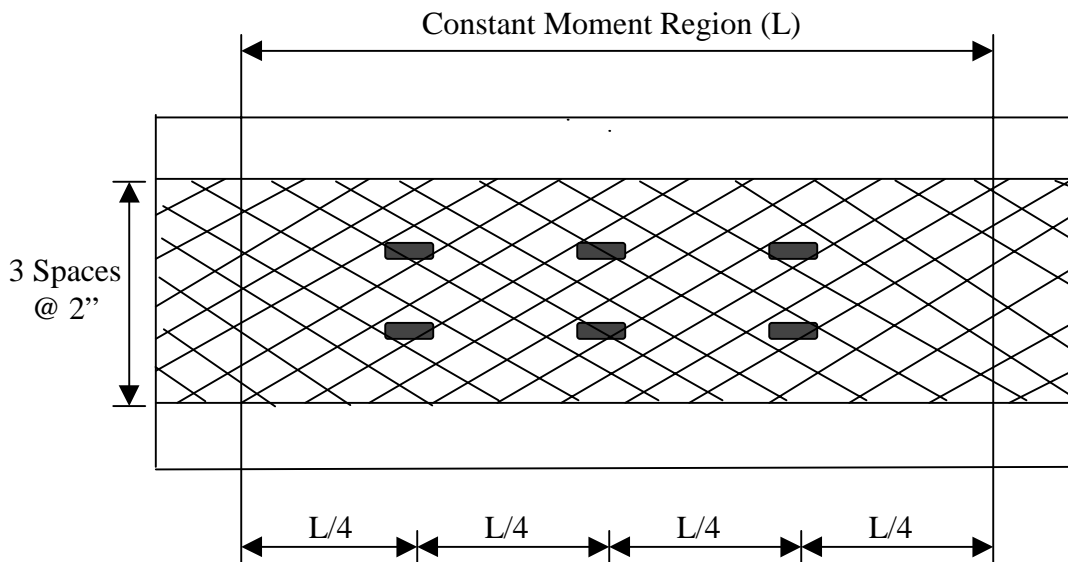


Figure 3.10: External Strain Gage Lay-Out of $\pm 45^{\circ}$ Strengthened Beams

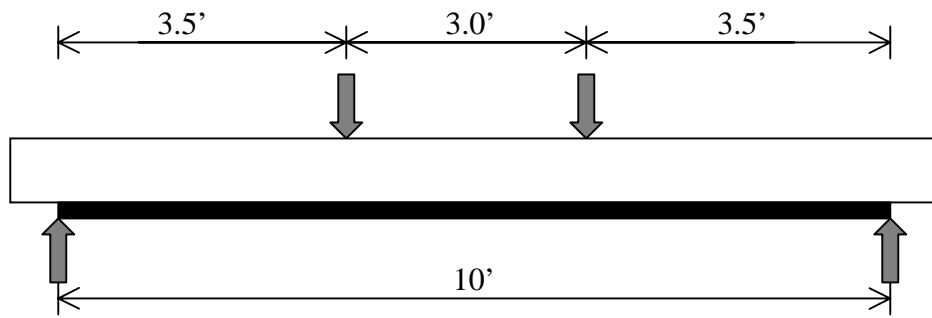


Figure 3.11: Four-Point Loading Diagram

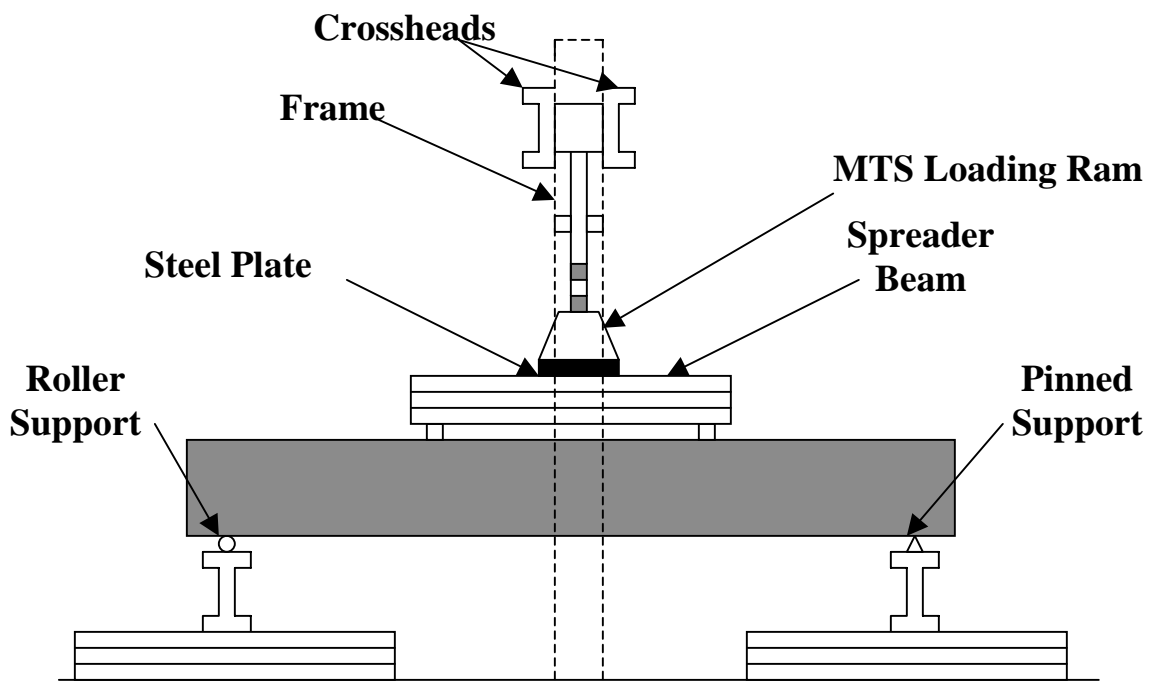


Figure 3.12: MTS Load Frame Diagram



Figure 3.13: MTS Load Frame

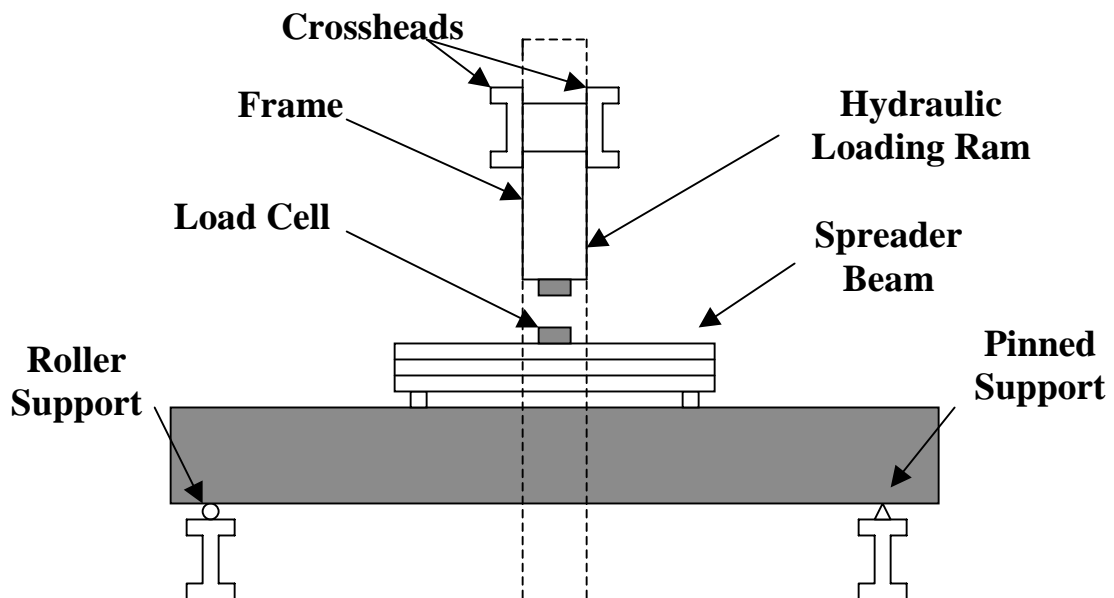


Figure 3.14: Hydraulic Load Frame Diagram

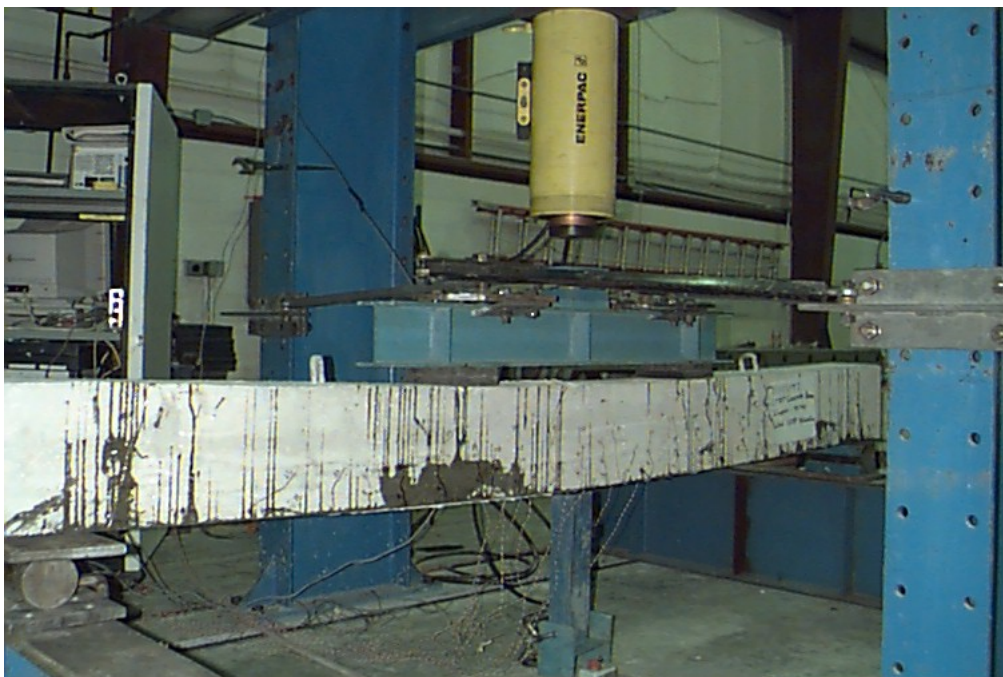


Figure 3.15: Hydraulic Load Frame