



(12) **United States Patent**
Xu et al.

(10) **Patent No.:** **US 7,173,713 B2**
(45) **Date of Patent:** **Feb. 6, 2007**

(54) **OPTICAL FIBER SENSORS FOR HARSH ENVIRONMENTS**

6,069,686 A 5/2000 Wang et al.
6,120,193 A 9/2000 Luther et al.
6,317,555 B1 11/2001 Maron et al.

(75) Inventors: **Juncheng Xu**, Blacksburg, VA (US);
Anbo Wang, Blacksburg, VA (US)

(73) Assignee: **Virginia Tech Intellectual Properties, Inc.**, Blacksburg, VA (US)

(Continued)

FOREIGN PATENT DOCUMENTS

(*) Notice: Subject to any disclaimer, the term of this patent is extended or adjusted under 35 U.S.C. 154(b) by 222 days.

JP 7260617 10/1995

(21) Appl. No.: **10/791,842**

(Continued)

(22) Filed: **Mar. 4, 2004**

OTHER PUBLICATIONS

(65) **Prior Publication Data**
US 2005/0195403 A1 Sep. 8, 2005

Yu, et al., "Fiber Fabry-Perot Sensors for Detection of Partial Discharges In Power Transformers", Applied Optics, vol. 42, No. 16, Jun. 2003.

(51) **Int. Cl.**
G01B 9/02 (2006.01)
G02B 6/00 (2006.01)

Primary Examiner—Gregory J. Toatley, Jr.
Assistant Examiner—Patrick Connolly
(74) *Attorney, Agent, or Firm*—DLA Piper US LLP

(52) **U.S. Cl.** **356/480; 385/12**
(58) **Field of Classification Search** 356/35.5,
356/477, 478, 480, 519; 250/227.19, 227.27;
385/12

(57) **ABSTRACT**

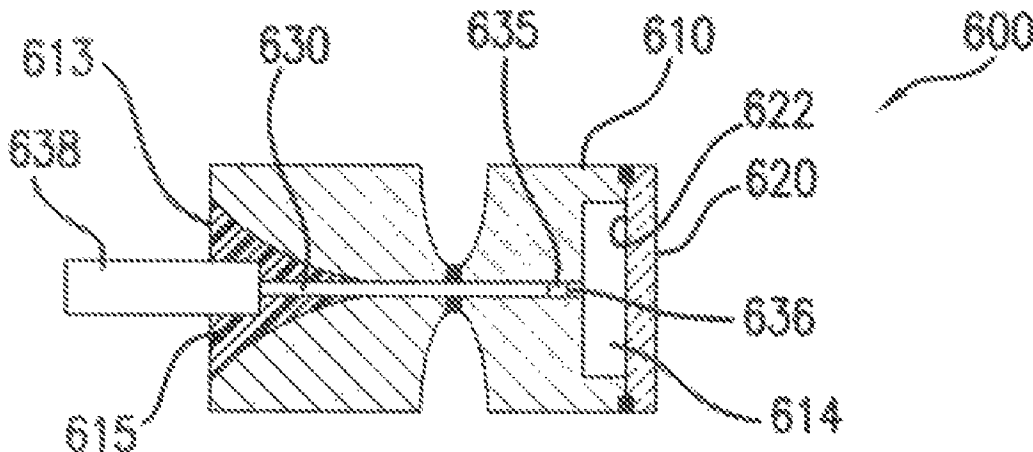
See application file for complete search history.

A diaphragm optic sensor comprises a ferrule including a bore having an optical fiber disposed therein and a diaphragm attached to the ferrule, the diaphragm being spaced apart from the ferrule to form a Fabry-Perot cavity. The cavity is formed by creating a pit in the ferrule or in the diaphragm. The components of the sensor are preferably welded together, preferably by laser welding. In some embodiments, the entire ferrule is bonded to the fiber along the entire length of the fiber within the ferrule; in other embodiments, only a portion of the ferrule is welded to the fiber. A partial vacuum is preferably formed in the pit. A small piece of optical fiber with a coefficient of thermal expansion chosen to compensate for mismatches between the main fiber and ferrule may be spliced to the end of the fiber.

(56) **References Cited**
U.S. PATENT DOCUMENTS

14 Claims, 3 Drawing Sheets

- 4,711,246 A 12/1987 Alderson
- 4,711,521 A 12/1987 Thillays
- 4,861,136 A * 8/1989 Stone et al. 356/480
- 4,873,989 A 10/1989 Einzig
- 4,884,450 A 12/1989 Greenwood et al.
- 5,202,939 A * 4/1993 Belleville et al. 385/12
- 5,301,001 A 4/1994 Murphy et al.
- 5,337,377 A 8/1994 Yamada et al.
- 5,359,405 A * 10/1994 Andrews 356/35.5
- 5,381,229 A * 1/1995 Murphy et al. 356/477
- 5,452,087 A * 9/1995 Taylor et al. 356/480
- 5,844,236 A * 12/1998 Wilson 250/227.19
- 5,870,511 A * 2/1999 Sawatari et al. 385/12



US 7,173,713 B2

Page 2

U.S. PATENT DOCUMENTS

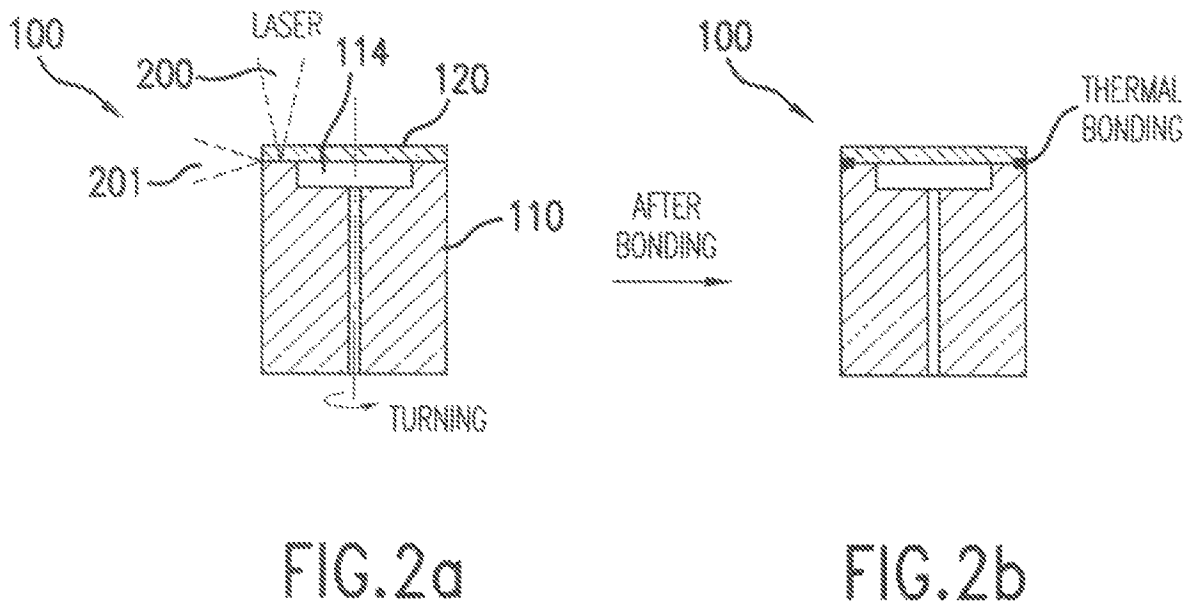
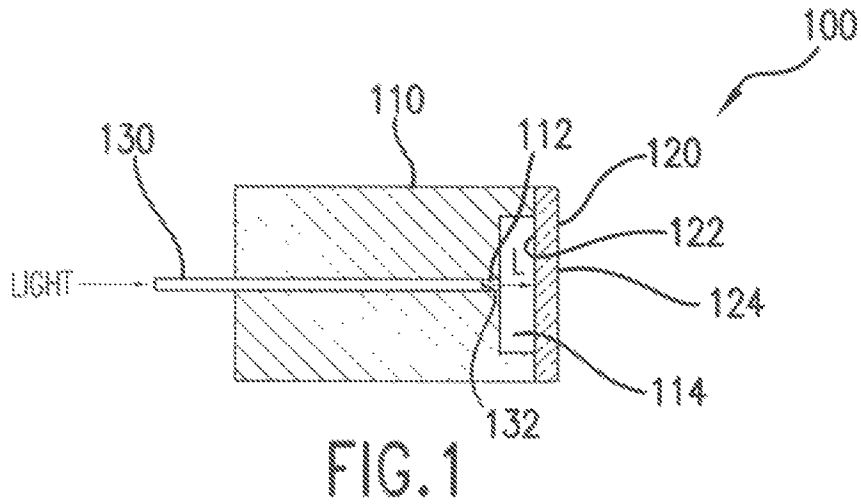
6,539,135	B1	3/2003	Canning et al.	
6,539,136	B1	3/2003	Dianov et al.	
6,671,055	B1	12/2003	Wavering et al.	
6,738,145	B2*	5/2004	Sherrer et al.	356/480
6,820,488	B2*	11/2004	Lenzing et al.	385/12
6,901,176	B2*	5/2005	Balachandran et al.	385/12

2003/0209655 A1 11/2003 Wang

FOREIGN PATENT DOCUMENTS

JP	2002349336	12/2002
WO	WO 90/08962	8/1990
WO	WO 99/60341	11/1999

* cited by examiner



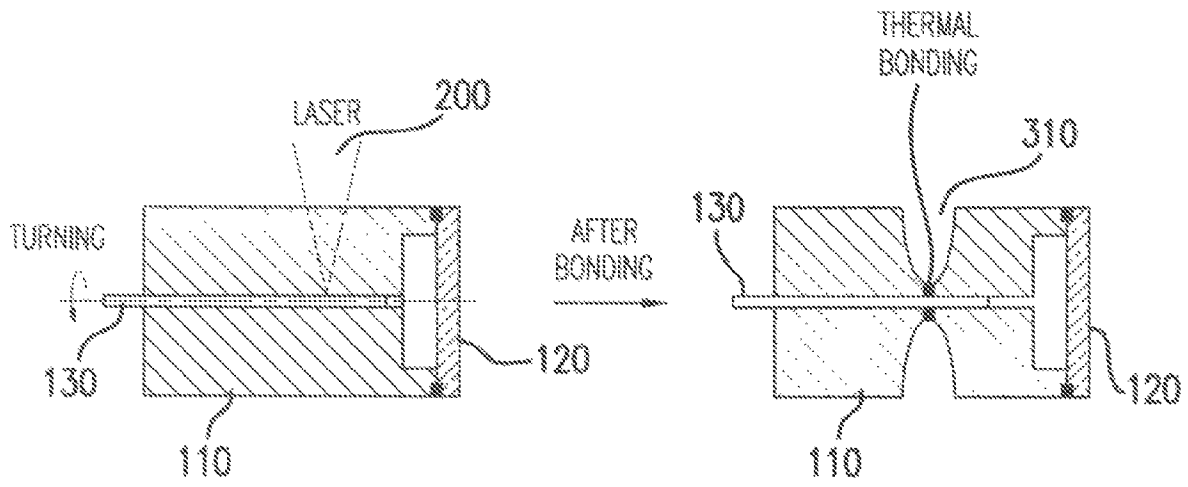


FIG. 3a

FIG. 3b

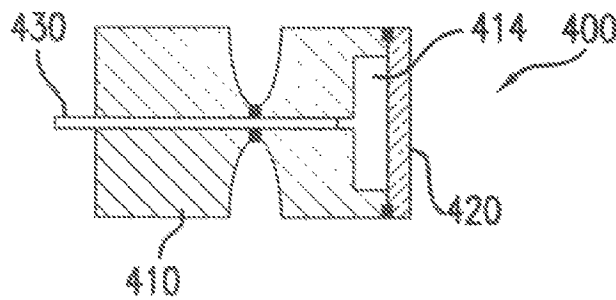


FIG. 4

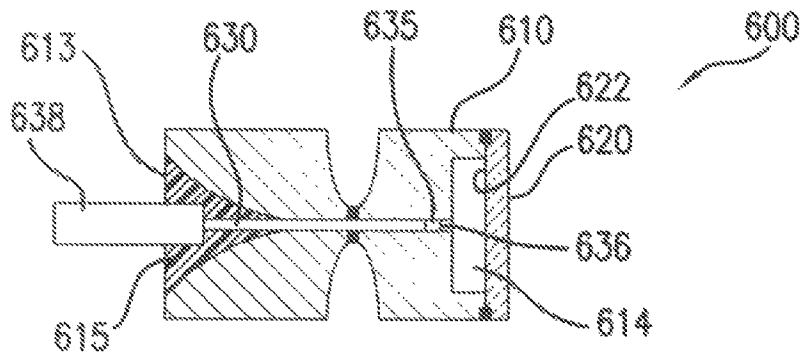


FIG. 5

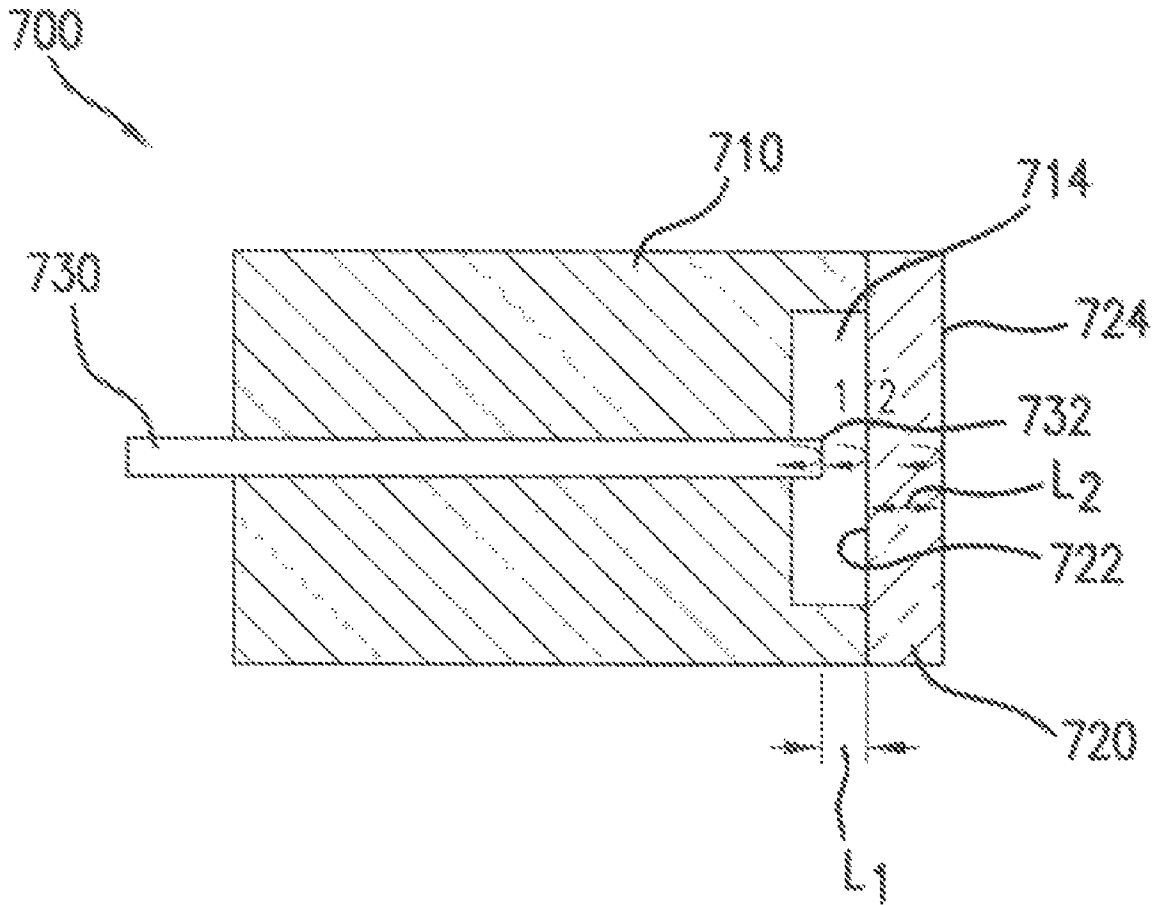


FIG. 6

OPTICAL FIBER SENSORS FOR HARSH ENVIRONMENTS

This invention was partially made with Government support under grant number DEFC3601G01050 awarded by the U.S. Department of Energy. The Government may have certain rights in the invention.

BACKGROUND OF THE INVENTION

1. Field of the Invention

The invention relates to optical sensors generally, and more particularly to Fabry-Perot cavity sensors.

2. Discussion of the Background

Optical sensors are used in a wide variety of applications. They offer advantages as compared to other types of sensors, including small size, immunity to electromagnetic interference (EMI), extreme stability, long life, high temperature operation, and low cost. They are especially useful in harsh environments, including high temperature, high pressure environments.

One type of optical sensor is the diaphragm-based Fabry-Perot sensor. In such sensors, a Fabry-Perot cavity is formed between an end of an optical fiber and a reflective diaphragm. Two reflections occur in these sensors: a first reflection between the glass/air interface at the end of the fiber, and a second reflection that occurs at the surface of the diaphragm facing the end of the fiber. If the coherence length of the light source exceeds twice the length of the cavity, observable interference between the two reflections occurs. Deflections of the diaphragm due to a pressure applied to the diaphragm result in changes to the cavity length, which result in corresponding changes in the interference pattern from the two reflections. Some of these sensors are designed such that movement of the diaphragm (and corresponding changes to the cavity length) are constrained to a linear portion of a fringe. This is done to simplify the processing of the signal returned by the sensor.

Diaphragm-based sensors are often formed by attaching an optical fiber to a capillary tube or ferrule (usually glass or silica) and attaching the diaphragm to the tube or ferrule. An example of such a diaphragm based Fabry-Perot sensor is disclosed in U.S. Pat. No. 6,539,135 to Dianov et al. It is typical to use an epoxy to form the attachments between the fiber and ferrule/tube and between the ferrule/tube and the diaphragm in such sensors. However, the use of viscoelastic materials such as epoxies subjects the sensor to time dependent changes, thereby compromising the reproducibility and operation of the sensor. In addition, the use of viscoelastic materials increases the temperature dependence of the sensor.

PCT Publication No. WO 99/60341 discloses diaphragm-based Fabry-Perot sensors formed by a fiber surrounded by a ferrule/tube and a silicon wafer with a portion etched away to form a Fabry-Perot cavity. Several different methods for attaching the components of the sensors are disclosed. WO 99/60341 discloses bonding a fiber to a capillary tube using epoxy. In order to minimize thermal drifts, WO 99/60341 discloses attaching the fiber to the front end of the ferrule/tube locally by heating the capillary with a laser or local heating element and allowing the capillary to collapse along a limited section of up to a few millimeters of the fiber. In such embodiments, a flexible adhesive is used to bond the fiber to the ferrule/tube to allow for movement to alleviate stresses from thermal mismatches between the fiber and tube/ferrule. Applicants have experimented with such a procedure but the mechanical bond between the collapsed

portion of the capillary tube and the fiber that results from this process has proven unsatisfactory. WO 99/60341 also discloses using solder glass to adhere the fiber to the ferrule/tube, but does not explain how thermal mismatches between the tube/ferrule and the fiber are accommodated. With respect to the bonding of the diaphragm to the ferrule/tube, WO 99/60341 discloses using adhesives, anodic bonding and diffusion bonding. The techniques disclosed in WO 99/60341 are an improvement over the use of epoxies, but are not ideal.

BRIEF SUMMARY OF THE INVENTION

The present invention addresses the aforementioned issues to a great extent by providing a diaphragm fiber optic sensor comprising a cylindrical ferrule including a central bore, and a diaphragm attached to the cylindrical ferrule. In some embodiments, the Fabry-Perot cavity is formed by mechanically machining or chemically etching the ferrule. In other embodiments, the Fabry-Perot cavity is formed by mechanically machining or chemically etching the diaphragm.

In one aspect of the invention, bonds between the ferrule and fiber and diaphragm and ferrule are formed by welding the ferrule to the fiber and the diaphragm to the ferrule. The welding may be accomplished by any means (e.g., electric arc), but is preferably accomplished with a laser. In some embodiments, the entire ferrule is bonded to the fiber along the entire length of portion of the fiber that is within the ferrule. In other embodiments, particularly those embodiments in which there is a mismatch in the coefficients of thermal expansion of the ferrule and fiber (which may result from the presence of dopants in the fiber but not in the ferrule, or differences in the types or amounts of dopants in the fiber and ferrule), only a small portion of the fiber is welded to the ferrule to provide for small amounts of relative movement between the fiber and ferrule in the non-welded areas to accommodate movement due to thermal expansion and contraction. Using welding has the added advantage of driving air out of the cavity between the ferrule and diaphragm, which decreases the temperature dependence of the sensor.

In another aspect of the invention, both the front and rear surfaces of the diaphragm are polished and a second Fabry-Perot cavity, formed by the glass/air interfaces at the front and rear surfaces of the diaphragm, are used to measure temperature independently of pressure. The temperature reading may be used to compensate the output of the first Fabry-Perot cavity formed by the gap between the diaphragm and the end of the optical fiber.

In still another aspect of the invention, a small piece of optical fiber is spliced to an end of the main fiber to reduce or eliminate the temperature dependence of the sensor. The ferrule is laser welded to the main optical fiber, while the small piece of optical fiber is not attached to the ferrule. When the sensor is subjected to high temperatures, any air remaining in recess between the diaphragm and ferrule will expand, causing the diaphragm to deflect outward. The outward deflection of the diaphragm changes the length of the Fabry-Perot cavity between the end of the fiber and the diaphragm. The small piece of optical fiber is chosen to have a coefficient of thermal expansion such that the small piece of optical fiber will expand in an amount equal a distance that the diaphragm will deflect at elevated temperatures. Any differences between the coefficients of thermal expansion of the ferrule and the main optical fiber can also be compensated for by the small piece of optical fiber. Thus, for

example, if the ferrule has a coefficient of thermal expansion that is greater than that of the main fiber, the small piece of optical fiber is chosen to have a coefficient of thermal expansion greater than both the ferrule and the main fiber. This allows the small piece of optical fiber to expand a greater amount than the ferrule in the presence of an elevated temperature to balance the lower amount of thermal expansion of the main fiber relative to the ferrule.

BRIEF DESCRIPTION OF THE DRAWINGS

A more complete appreciation of the invention and many of the attendant features and advantages thereof will be readily obtained as the same become better understood by reference to the following detailed description when considered in connection with the accompanying drawings, wherein:

FIG. 1 is a cross sectional view of a sensor according to one embodiment of the invention.

FIG. 2 is a cross sectional view illustrating laser welding of the diaphragm and ferrule of the sensor of FIG. 1 according to an embodiment of the present invention.

FIG. 3 is a cross sectional view illustrating laser welding of the ferrule and the fiber of the sensor of FIG. 1 according to an embodiment of the invention.

FIG. 4 is a cross sectional view of a sensor according to a second embodiment of the invention.

FIG. 5 is a cross sectional view of a diaphragm sensor according to a fourth embodiment of the invention.

FIG. 6 is a cross sectional view of a diaphragm sensor according to a fifth embodiment of the invention.

DETAILED DESCRIPTION

The present invention will be discussed with reference to preferred embodiments of diaphragm sensors. Specific details are set forth in order to provide a thorough understanding of the present invention. The preferred embodiments discussed herein should not be understood to limit the invention. Furthermore, for ease of understanding, certain method steps are delineated as separate steps; however, these steps should not be construed as necessarily distinct nor order dependent in their performance.

A cross sectional view of a diaphragm sensor **100** according to one embodiment of the invention is illustrated in FIG. 1. The sensor includes a ferrule **110** in which a central bore **112** is formed. A pit, or recess, **114** is formed in one end of the ferrule **110**. A diaphragm **120** is attached to the ferrule **110** to cover the pit **114**. An optical fiber **130** is disposed within the central bore **112**. The ferrule **110**, diaphragm **120** and optical fiber **130** may be formed from a wide variety of materials (doped or undoped), including silica, glass and/or crystal materials.

The optical fiber end **132** and the inside surface **122** of the diaphragm form a Fabry-Perot cavity with a length L . When light with a coherence length greater than twice the length L of the cavity is launched into the optical fiber **130**, light reflected back into the fiber **130** at the air/glass interfaces at the fiber end **132** and at the diaphragm inside surface **122** interferes due to the phase difference resulting from the difference in optical path lengths between the two reflections. When the diaphragm **120** is deformed to due a force (e.g., a pressure) applied to the outside surface **124** of the diaphragm **120**, the cavity length L changes, which results in corresponding changes in interference between the two reflections. Thus, by measuring changes in observed interference between the reflections, the corresponding force

acting on the diaphragm **120** can be calculated from a knowledge of the mechanical properties of the diaphragm.

Fabrication of the sensor **100** will be discussed with reference to FIGS. 2 and 3. The pit **114** is preferably formed in the ferrule **110** by chemically etching or micro-machining the ferrule **110**, but may be formed by any other method. The diameters of the pit **114**, the ferrule **110**, and the diaphragm **120**, and the thickness of the diaphragm **120**, are chosen based on the amount of force that is to be exerted on the diaphragm by the measured, the choice of materials for the diaphragm **120** and the ferrule **110**, and the desired amount of change in cavity length resulting from such force (as will be described in greater detail below, in some embodiments of sensor systems referred to as linear interferometric sensor systems, it is desirable to fabricate the sensor such that the change in cavity length resulting from changes in the measured is constrained to a linear portion of a single interference fringe).

Next, the diaphragm **120** is attached to the ferrule **110** to cover the pit **114**. This is preferably accomplished by laser welding the diaphragm **120** to the ferrule **110**. Referring now to FIGS. 2a and 2b, the ferrule **110** is rotated relative to a laser beam, which may be a laser beam **200** directed toward the top of the diaphragm **120** or may be a side-oriented laser beam **201** directed toward the boundary of the ferrule **110** and diaphragm **120**. The laser beam **200**, **201** is of sufficient strength to locally melt the diaphragm **120** and the ferrule **110** so that the two are welded, or fused, together. The side-oriented laser beam **201** is useful when transmitting a laser beam through the top of the diaphragm is problematic, e.g., when the diaphragm is thick or has a high coefficient of thermal expansion or when the diaphragm surface or the ferrule end surface has high reflectivity for the laser (which means that the power absorptivity is low).

Next, the fiber **130** is inserted into the central bore **114** of the ferrule **110** and the fiber **130** and ferrule **110** are welded together by laser **200**. Relative rotation between the laser beam **200** and the ferrule **110** is provided in some embodiments as shown in FIG. 3a. In other embodiments, the laser beam **200** is divided such that it impacts the ferrule at two or more locations (not shown in FIG. 3a). If the ferrule is thick, it may be necessary to ablate a portion **310** of the ferrule **110** as shown in FIG. 3b prior to welding the ferrule **110** to the fiber **130**. Welding the fiber **130** to the ferrule **110** provides the advantage (relative to other methods of bonding the fiber to the ferrule, such as the use of epoxy) of creating a partial vacuum in the pit **114** due to the high heat (e.g., 1500° C.) used in the welding process. The partial vacuum is created because the air in the pit **114** expands under high pressure during welding, forcing some of the air out. After the welding creates an air-tight seal between the ferrule **110** and fiber **130**, the remaining air in the pit **114** contracts, thereby creating a partial vacuum (the bond between the ferrule **110** and diaphragm **120** is also airtight). This partial vacuum makes the sensor **100** less sensitive to temperature because, at elevated temperatures, the air remaining in the pit **114** will not exert as much force on the diaphragm **120** as it would if some of the air had not been driven out during the welding process.

In some embodiments, the fiber **130** is welded to the ferrule **110** along only a small portion of the length of the ferrule **110** as shown in FIG. 3. In other embodiments, the fiber **130** is welded to the ferrule **110** along the entire length of the ferrule **110**. In embodiments of the invention that are not exposed to high temperatures, an epoxy may be used in place of welding.

5

In a preferred method of manufacturing the sensor **100**, the fiber **130** is connected to a light source through a 2x2 coupler and the interference pattern of the reflections from the Fabry-Perot cavity are monitored while the fiber **130** is positioned in the ferrule prior to welding. Additionally, applicants have discovered that the length of the cavity (i.e., the distance between the inside surface **122** of diaphragm **120** and the end **132** of the fiber **130**) changes during the laser welding process. In particular, applicants have discovered that the length of the cavity increases when using the laser to weld the fiber and the ferrule, and the length of the cavity decreases when welding the diaphragm to the ferrule. The reasons for these change in cavity length are not entirely clear, although it is believed that one of the factors that contributes to the change in cavity length that occurs during the process of welding the fiber **130** to the ferrule **110** results from the fact that the laser heats the ferrule **110** more rapidly than the fiber **130**, thereby causing the ferrule **110** to expand more rapidly than the fiber **130**.

Applicants have also learned that the amount of change in the cavity length can be controlled by adjusting the peak power, pulse width and number of pulses of the laser used for the welding process. Applicants have observed that the amount of increase in the cavity length gets larger as the peak power, pulse width, and number of pulses used when welding the fiber to the ferrule are increased. This is true regardless of what portion of the ferrule is welded to the fiber. Similarly, as the peak power, pulse width, and number of pulses used when welding the diaphragm to the ferrule are increased, the amount of decrease in the cavity length gets larger. However, for certain materials, the direction of the changes in cavity length may be opposite those described herein.

It should be noted that, in some embodiments, the fiber and ferrule are rotated during the welding process such that the laser is applied evenly around the circumference of the ferrule. In such embodiments, the rate at which the fiber and ferrule are rotated is adjusted to match changes in the pulse width (e.g., the rotation rate of the fiber/ferrule is adjusted such that the fiber/ferrule makes one complete rotation during a pulse). Of course, it is also possible to move the laser around the circumference of the fiber/ferrule during the manufacturing process.

Therefore, in one method of manufacturing a sensor, the fiber **130** is positioned at a location in the ferrule **110** (e.g., by using a micro-positioning tool) at a location at a distance from a desired final location, and the peak power, pulse width and number of pulses of the laser are controlled so as to cause the cavity length to change to the desired cavity length. In this method, either the ferrule **110** and fiber **130** or the diaphragm **120** and ferrule **110** can be welded first. In a second method, the reflections from the sensor **100** are converted to an electrical signal (e.g., by using a photodetector) and a feedback circuit is constructed to control the laser peak power and/or pulse width such that the cavity length is changed by a desired amount. Although discussed in connection with the sensor **100**, it should be understood that these manufacturing techniques are applicable to all sensors discussed herein.

A sensor **400** according to an alternative embodiment of the invention is illustrated in FIG. **4**. The principal difference between the sensor **100** of FIG. **1** and the sensor **400** of FIG. **4** is that the pit **414** of the sensor **400** is formed in the diaphragm **420** rather than the ferrule **410**. The pit **414** in the diaphragm **420** may be formed by machining, chemical etching, or any other method. The bonds between the ferrule

6

410 and diaphragm **420**, and the ferrule **410** and fiber **430**, may be formed in the same manner as described above.

Each of the above-described sensors is preferably fabricated using laser welding to bond components of the sensor to each other. In alternative embodiments, solder glass, glass sealants, or other materials are used in place of laser welding.

Further improvements to the above-discussed sensors are illustrated in the sensor **600** of FIG. **5**. The sensor **600** has a pit **614** formed in the ferrule **610** in the manner described in connection with FIGS. **2** and **3**, but it should be understood that the improvements discussed in connection with the sensor **600** are equally applicable to diaphragm sensors with a pit formed in the diaphragm such as the sensor **400** of FIG. **4**.

One improvement illustrated in FIG. **5** is the addition of a small piece of optical fiber **635** spliced to the end of the fiber **630**. In this embodiment, the end **636** of the optical fiber **635** and the inner surface **622** of the diaphragm **620** form the Fabry-Perot cavity. The small piece of optical fiber **635** is made of a material chosen to have a coefficient of thermal expansion to compensate for changes in the length of the cavity at high temperatures. As discussed above, these changes in cavity length may be caused by deflection of the diaphragm **620** by the expansion of air in the space between the diaphragm **620** and the ferrule **610**, as well as a mismatch in coefficients between the main fiber **630** and the ferrule **610**. For example, if the ferrule **610** has a coefficient of thermal expansion that is greater than that of the main fiber **630**, the small piece of optical fiber **635** is made of a material that has a coefficient of thermal expansion greater than both the ferrule **610** and the main fiber **630** to compensate for the mismatch between the ferrule **610** and fiber **630** and deflection of the diaphragm **620** caused by the expansion of air in the pit **614**. By properly choosing materials and lengths, it is possible to greatly reduce and even eliminate any temperature dependence of the sensor **600**.

A second improvement in the sensor **600** is the provision of a fluted opening **613** in the ferrule **610** that allows a coating **638** placed over the fiber **630** to be extend into the ferrule **610**. The fluted opening **613** is preferably filled with an epoxy, sol-gel, or spin-on-glass **615**, which bonds to both the walls of the opening **613** of the ferrule **610** and the coating **638** on the fiber. This provides strain relief for the fiber **630**, thereby making the sensor **600** more rugged. Of course, these materials must be suitable for the environment in which the sensor is to be used.

A sensor **700** that can monitor both temperature and pressure is illustrated in FIG. **6**. The sensor **700** differs from the sensor **100** in that the diaphragm **720** is polished on both the inside **722** and the outside **724**. This creates a second Fabry-Perot cavity of length L_2 (with an optical path length of $L_2 \cdot n_2$ when n_2 is the index of refraction of the diaphragm material and is greater than 1) formed by the glass/air interfaces at the front and back of diaphragm **720**. However, unlike the first Fabry-Perot cavity of length L_1 formed by the end **732** of the fiber **730** and the diaphragm inside surface **722**, the second Fabry-Perot cavity changes less due to pressure exerted on the diaphragm **720**, but is affected more by temperature changes that cause changes in the index of refraction of the diaphragm **722**. If the optical path lengths of the two Fabry-Perot cavities are chosen to be different, then the responses from the two cavities will yield signals with different frequencies in the optical frequency domain. For example, if the optical path length of the cavity in the diaphragm **720** is larger than the optical path length of the first Fabry-Perot cavity, the interference signal from the

7

second Fabry-Perot cavity of the diaphragm 720 will have a higher frequency than the interference signal from the first Fabry-Perot cavity. These signals with different frequencies can be easily separated by electronic or digital band-pass filters centered at different frequencies or simply by taking the Fourier transform of the return signal. Thus, the sensor 700 can measure both temperature and pressure at the same time. Furthermore, the temperature measurement can be used to compensate the pressure reading for temperature dependence, and vice versa.

The sensor 700 includes a ferrule 710 in which a pit 714 is formed. However, the temperature measurement technique using the second Fabry-Perot cavity formed by a double-polished diaphragm can be utilized in sensors in which the pit is formed in the diaphragm or created using a ring spacer between the ferrule and the diaphragm.

Those of skill in the art will recognize that the diaphragm sensors described herein are applicable to a wide variety of interferometric sensor systems including, but not limited to, linear interferometric sensor systems. In preferred embodiments of the invention, the diaphragm sensors described herein are incorporated into Self-Calibrated, Interferometric, Intensity-Based (SCIIB) sensor systems such as those disclosed in U.S. Pat. No. 6,069,686, and, more preferably still, into Q-point stabilized SCIIB sensor systems such as those disclosed in U.S. patent application Ser. No. 10/670,457, entitled "Active Q-Point Stabilization for Linear Interferometric Sensor." The contents of both this patent and this patent application are hereby incorporated by reference herein.

While the invention has been described with respect to certain specific embodiments of diaphragm sensors, it will be appreciated that many modifications and changes may be made by those skilled in the art without departing from the spirit of the invention. It is intended therefore, by the appended claims to cover all such modifications and changes as fall within the true spirit and scope of the invention.

What is claimed is:

1. A sensor comprising:
 - a ferrule, the ferrule having a bore formed therein, the ferrule having an end;
 - a diaphragm attached to the ferrule, the diaphragm having an inside reflecting surface facing the end of the ferrule;
 - a first optical fiber within the bore, the optical fiber having a first end;
 - a second optical fiber, the second optical fiber having a first end and a second end, the first end of the second optical fiber being attached to the first end of the first optical fiber, the second end of the second optical fiber being spaced apart from the inside reflecting surface of the diaphragm, the second end of the second optical fiber and the inside reflecting surface of the diaphragm forming a Fabry-Perot cavity;
 - wherein the first optical fiber has a first coefficient of thermal expansion; the second optical fiber has a second coefficient of thermal expansion, and the ferrule has a third coefficient of thermal expansion, the second coefficient of thermal expansion being selected to compensate for a difference between the first and third coefficients of thermal expansion.
2. The sensor of claim 1, wherein a pit is formed in the ferrule.
3. The sensor of claim 1, wherein a pit is formed in the diaphragm.

8

4. The sensor of claim 1, further comprising a spacer disposed between the diaphragm and the ferrule, the spacer having an opening formed therein.

5. A sensor comprising:

a ferrule, the ferrule having an end, the ferrule having a bore formed therein;

a diaphragm attached to the ferrule, the diaphragm having an inside reflecting surface facing the end of the ferrule, at least a portion of the reflecting surface being spaced apart from the end of the ferrule;

a first optical fiber within the bore, the optical fiber having a first end;

a second optical fiber, the second optical fiber having a first end and a second end, the first end of the second optical fiber being attached to the first end of the first optical fiber, the second end of the second optical fiber being spaced apart from the inside reflecting surface of the diaphragm to form a recess, the second end of the second optical fiber and the inside reflecting surface of the diaphragm forming a Fabry-Perot cavity;

wherein the second optical fiber has a coefficient of thermal expansion that compensates for deflection of the diaphragm caused by expansion of air in the recess as the sensor is heated.

6. The sensor of claim 5, wherein a pit is formed in the ferrule.

7. The sensor of claim 5, wherein a pit is formed in the diaphragm.

8. The sensor of claim 5, further comprising a spacer disposed between the diaphragm and the ferrule, the spacer having an opening formed therein.

9. A method for manufacturing a sensor comprising the steps of:

attaching a diaphragm to a ferrule;

inserting an optical fiber into the ferrule such that an end of the optical fiber is spaced apart from the diaphragm by a first distance different from a desired distance; and welding the ferrule to the optical fiber with a laser;

wherein at least one parameter of the laser is controlled such that a distance from the end of the optical fiber and to the diaphragm changes from the first distance to the desired distance during the welding step.

10. The method of claim 9, wherein the at least one parameter is a peak power of the laser.

11. The method of claim 9, where the at least one parameter is a pulse width of the laser.

12. The method of claim 9, wherein both a peak power and a pulse width of the laser are controlled.

13. The method of claim 9, further comprising the steps of inputting light to the optical fiber and monitoring interference in reflections of the light from the end of the fiber and the diaphragm during the inserting step.

14. The method of claim 9, further comprising the steps of:

inputting light to the optical fiber during the welding step; converting light received from the sensor to an electrical signal, the light received from the sensor including interfering reflections from the end of the fiber and the diaphragm; and

inputting the electrical signal to a feedback circuit configured to control the at least one parameter of the laser.

* * * * *