

(12) **United States Patent**
Fuller et al.

(10) **Patent No.:** **US 7,712,580 B2**
(45) **Date of Patent:** **May 11, 2010**

(54) **ACTIVE/PASSIVE DISTRIBUTED ABSORBER FOR VIBRATION AND SOUND RADIATION CONTROL**

(75) Inventors: **Christopher R. Fuller**, Virginia Beach, VA (US); **Kathleen Kondylas**, Newburyport, MA (US)

(73) Assignee: **Virginia Tech Intellectual Properties, Inc.**, Blacksburg, VA (US)

(*) Notice: Subject to any disclaimer, the term of this patent is extended or adjusted under 35 U.S.C. 154(b) by 712 days.

(21) Appl. No.: **11/283,508**

(22) Filed: **Nov. 21, 2005**

(65) **Prior Publication Data**
US 2006/0131103 A1 Jun. 22, 2006

Related U.S. Application Data
(63) Continuation-in-part of application No. 11/192,433, filed on Jul. 29, 2005, now Pat. No. 7,573,177, which is a continuation-in-part of application No. 10/429,246, filed on May 5, 2003, now Pat. No. 6,958,567, which is a continuation-in-part of application No. 09/294,398, filed on Apr. 20, 1999, now Pat. No. 6,700,304.

(51) **Int. Cl.**
E04B 1/14 (2006.01)
(52) **U.S. Cl.** **181/294; 52/742.1; 52/742.13**
(58) **Field of Classification Search** **181/290, 181/294; 52/742.1, 742.13**
See application file for complete search history.

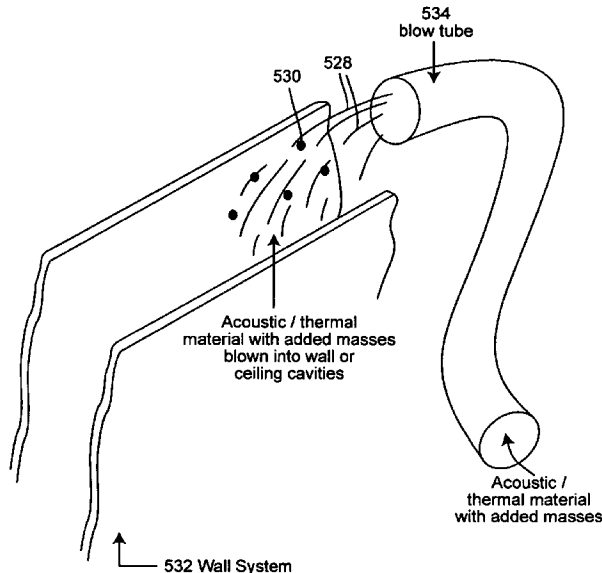
(56) **References Cited**
U.S. PATENT DOCUMENTS

4,134,242 A *	1/1979	Musz et al.	52/309.1
4,158,787 A	6/1979	Forward	
4,565,940 A	1/1986	Hubbard, Jr.	
4,706,788 A	11/1987	Inman et al.	
4,849,668 A	7/1989	Crawley	
4,934,032 A *	6/1990	Nelson	29/455.1
4,940,914 A	7/1990	Mizuno	
4,989,688 A *	2/1991	Nelson	181/287
5,369,925 A	12/1994	Vargo	
5,485,053 A	1/1996	Baz	
5,656,846 A	8/1997	Yamada	
5,719,945 A	2/1998	Fuller et al.	
5,916,681 A *	6/1999	Cipin	428/403
6,191,519 B1	2/2001	Nye et al.	
6,700,304 B1	3/2004	Fuller et al.	

* cited by examiner
Primary Examiner—Jeffrey Donels
Assistant Examiner—Jeremy Luks
(74) *Attorney, Agent, or Firm*—Whitham Curtis Christofferson & Cook, PC

(57) **ABSTRACT**
Vibration or acoustic sound control is achieved using an elastic layer of thermal or insulation material in which a plurality of discrete masses are distributed throughout. The elastic layer may be installed as a pre-formed layer, or be blown into position within a structure where vibration or acoustic sound control is required.

12 Claims, 17 Drawing Sheets



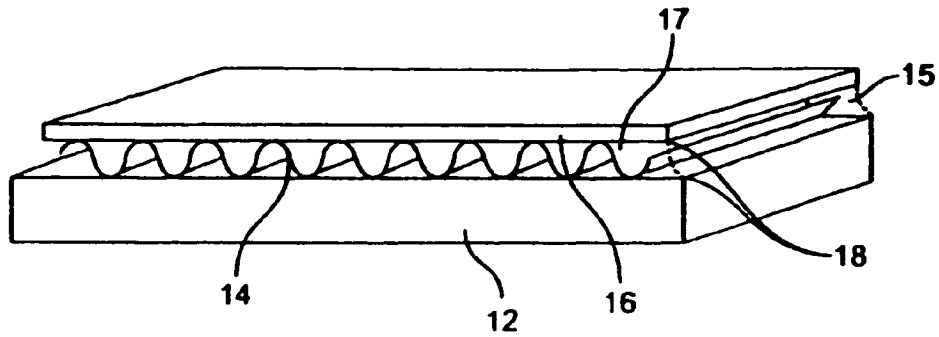


Figure 1

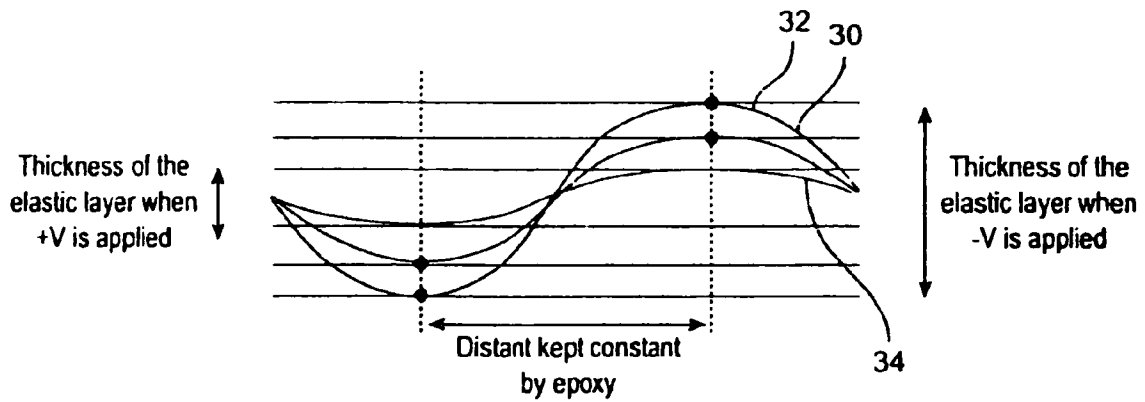


Figure 2

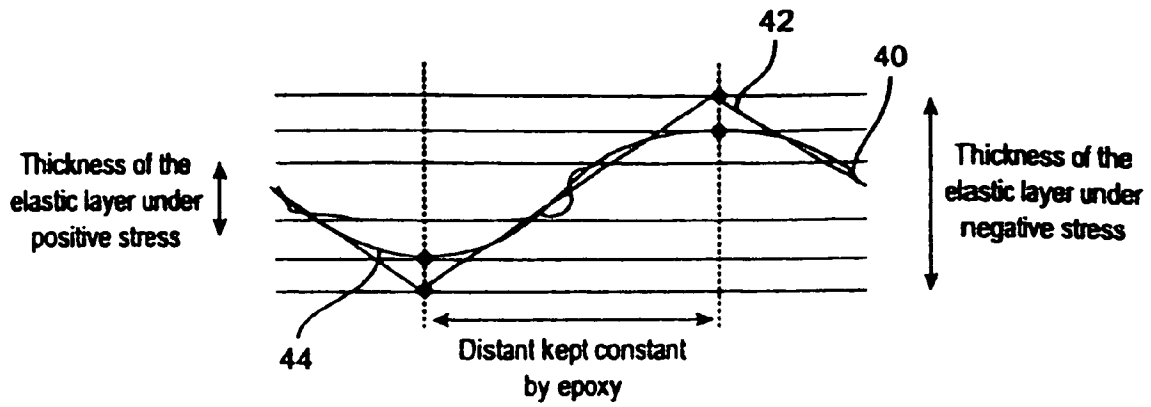


Figure 3

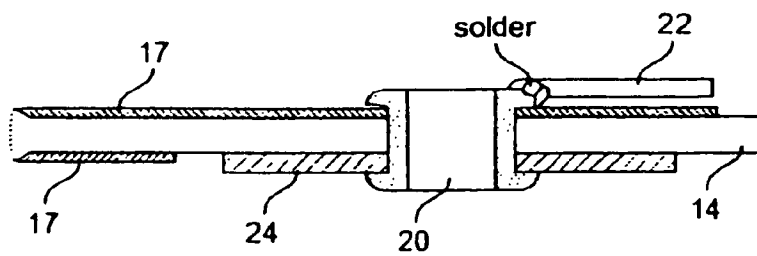


Figure 4

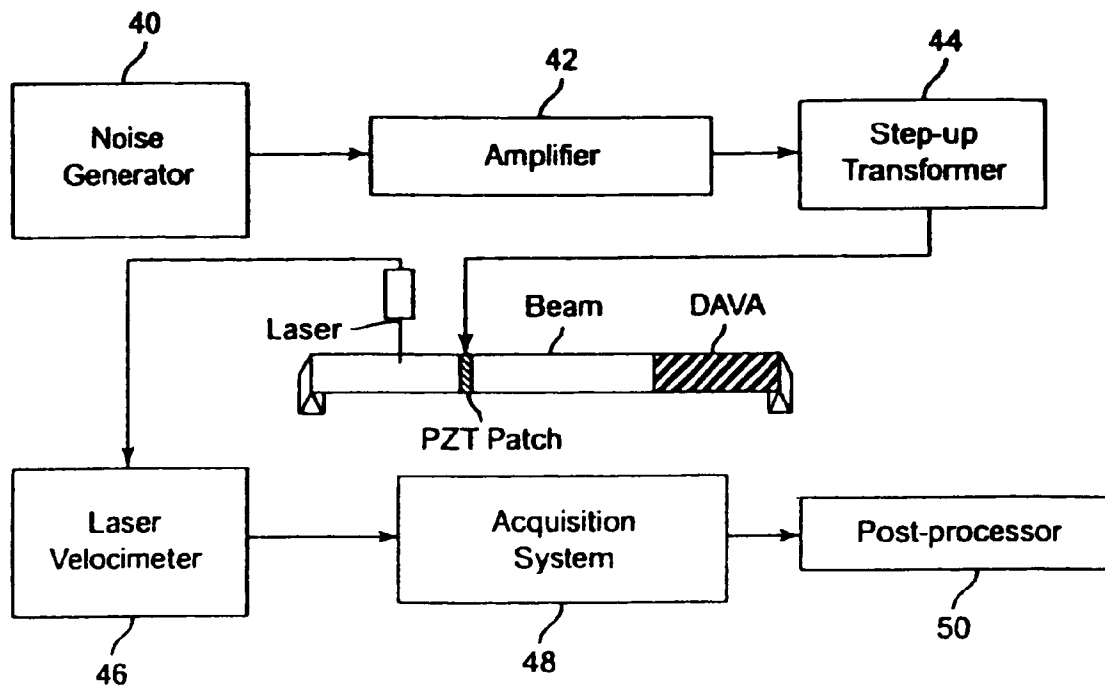


Figure 5

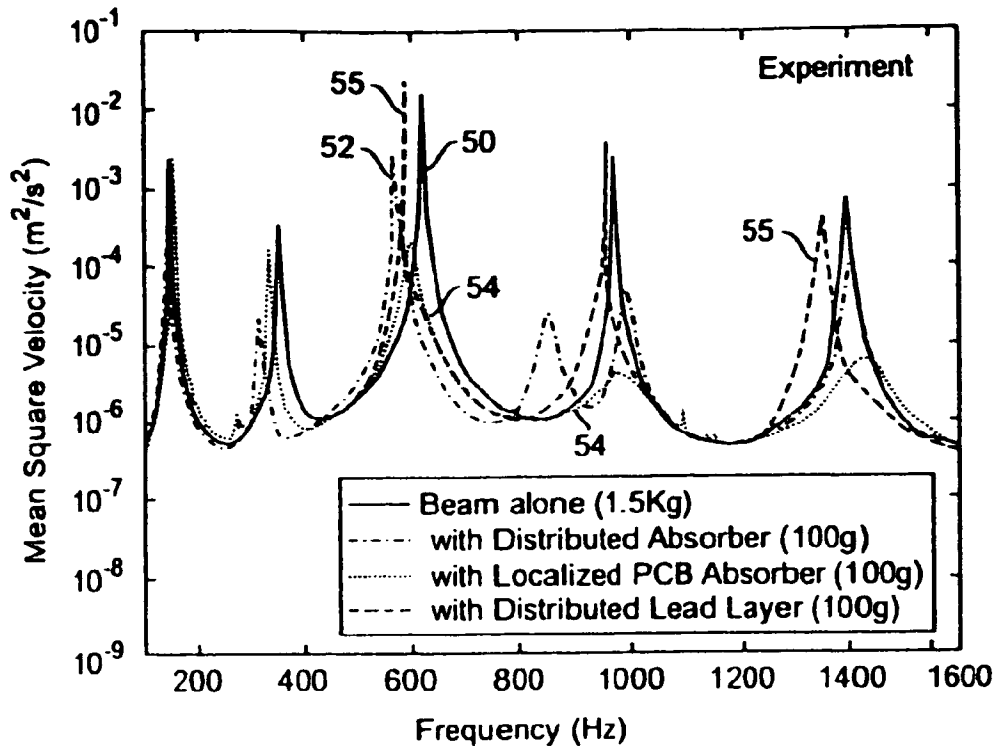


Figure 6

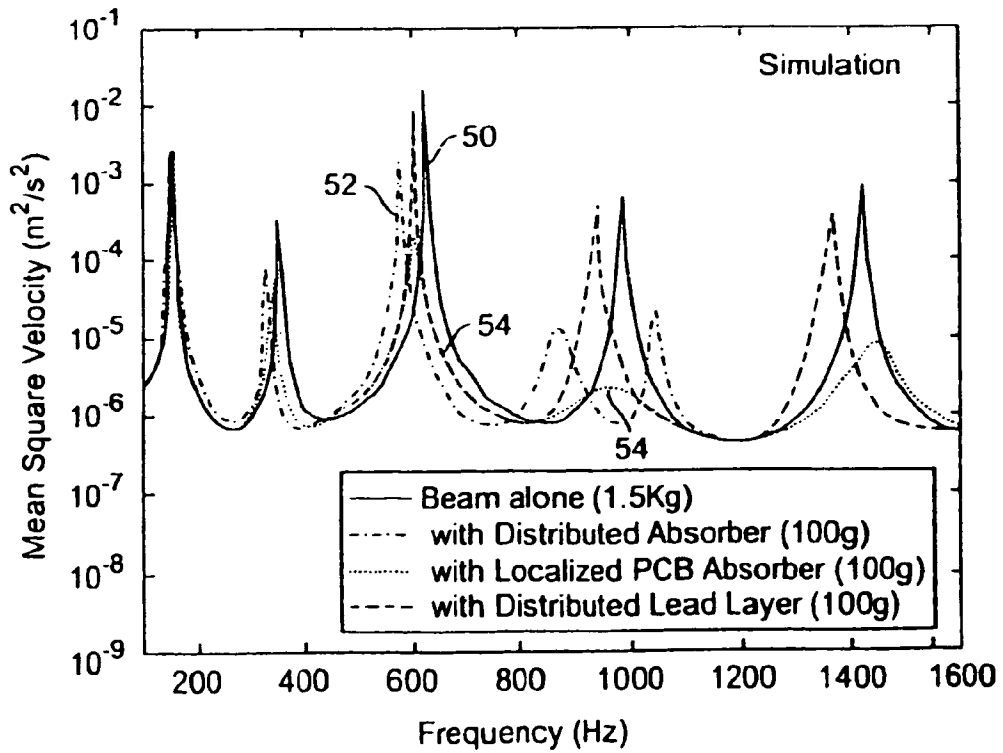


Figure 7

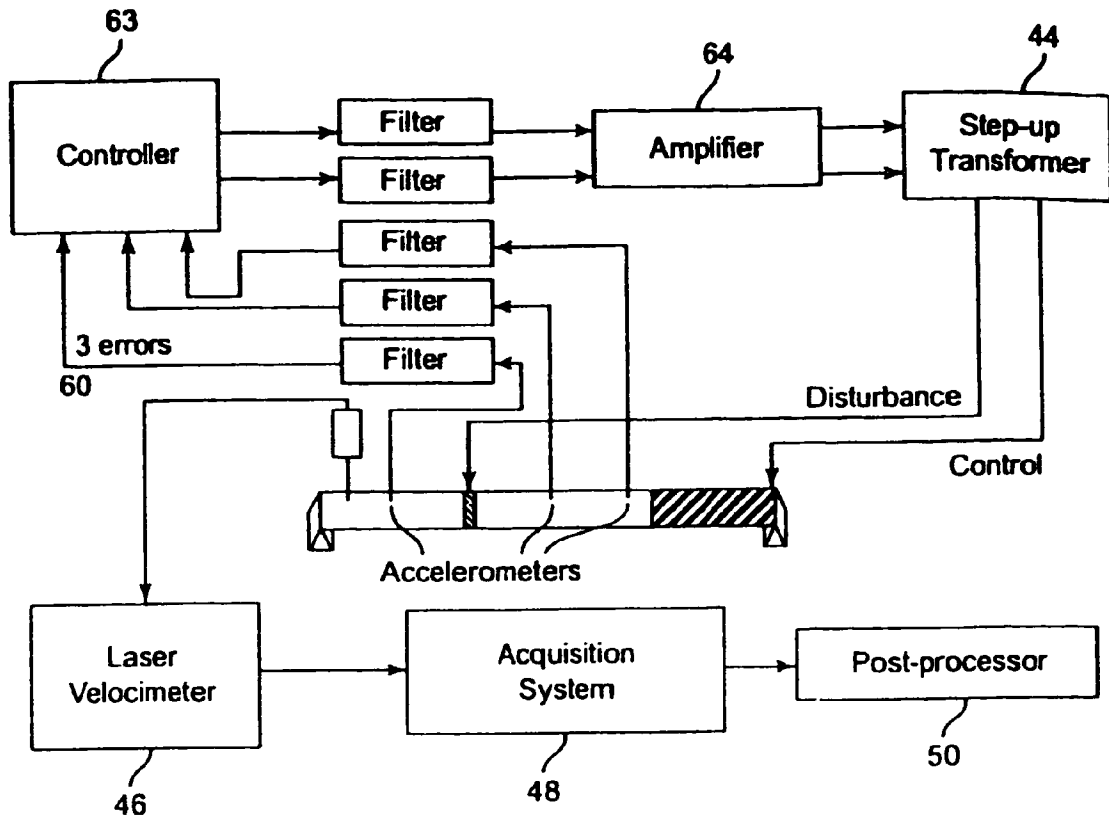


Figure 8

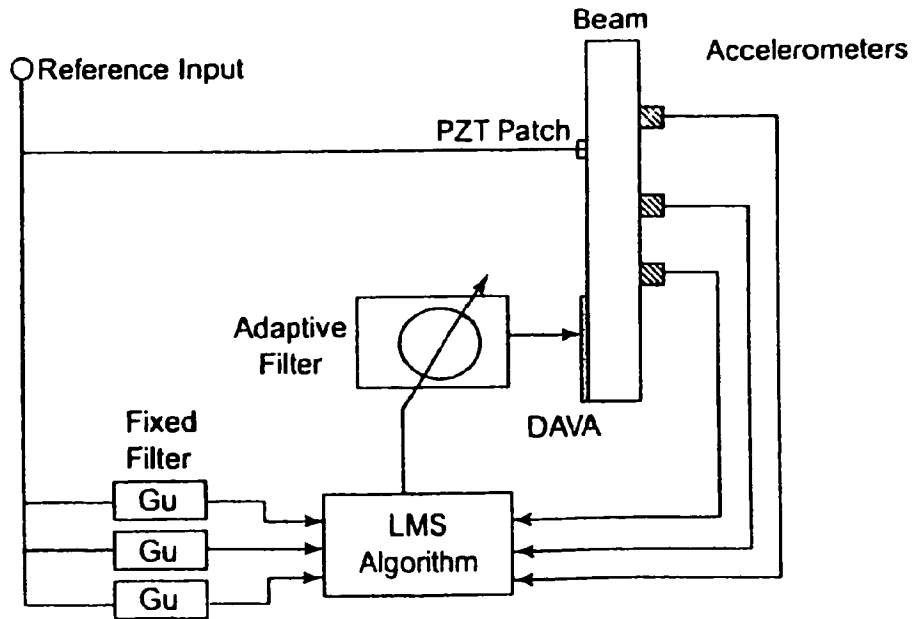


Figure 9

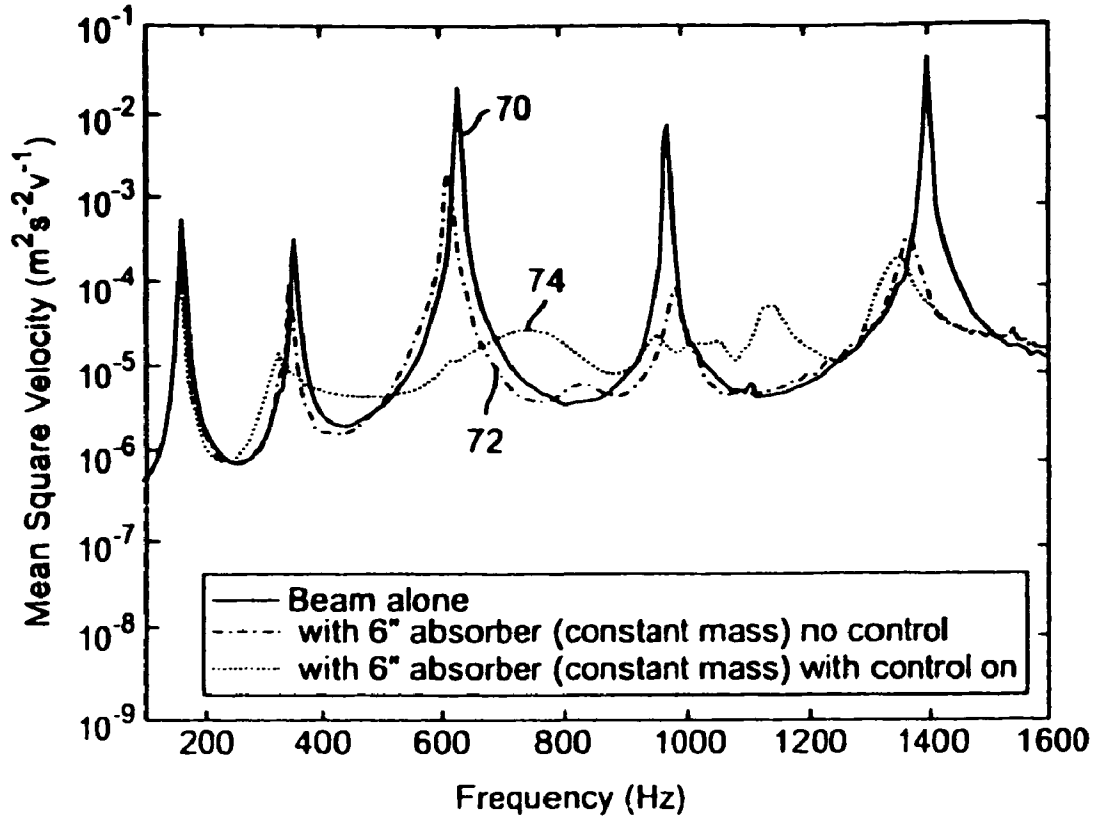


Figure 10

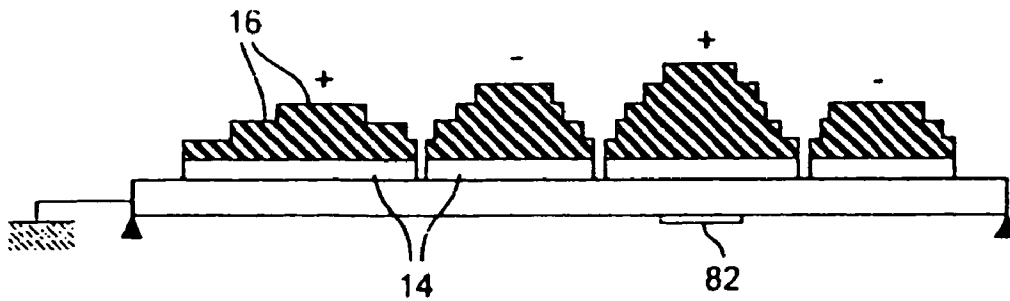


Figure 11

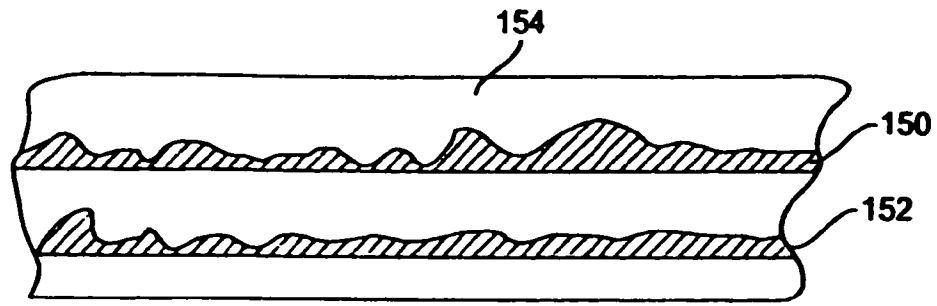


Figure 12

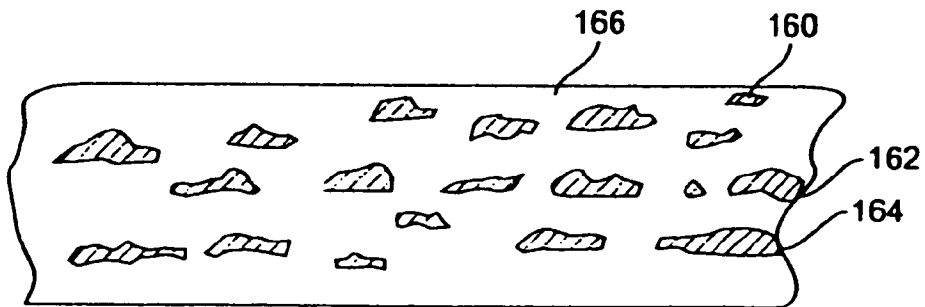


Figure 13

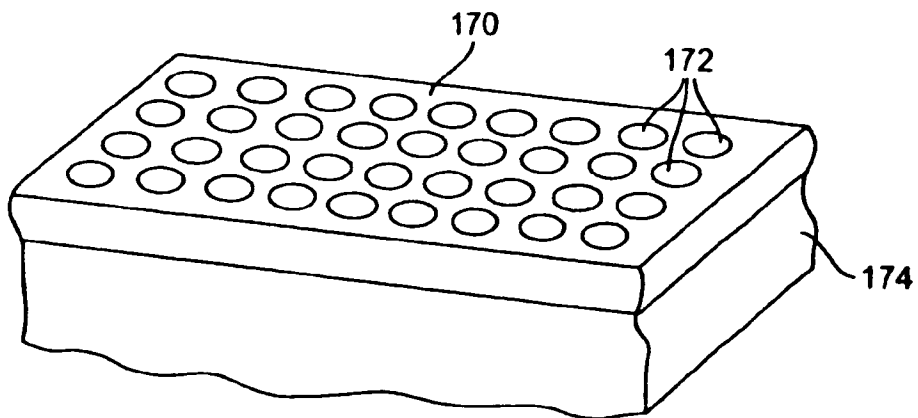


Figure 14

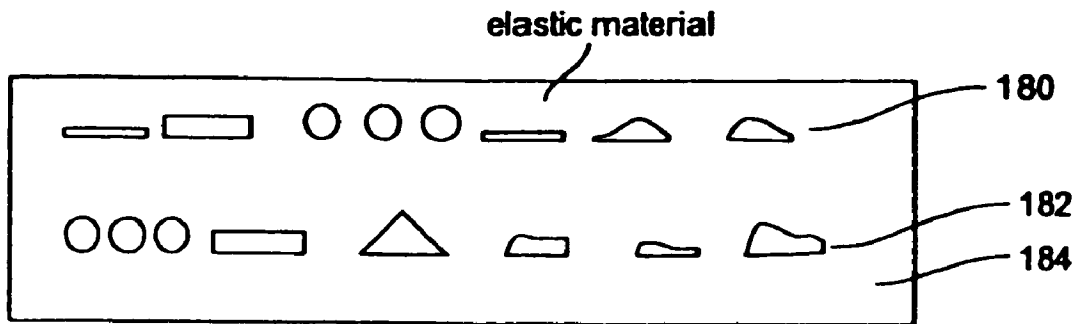


Figure 15

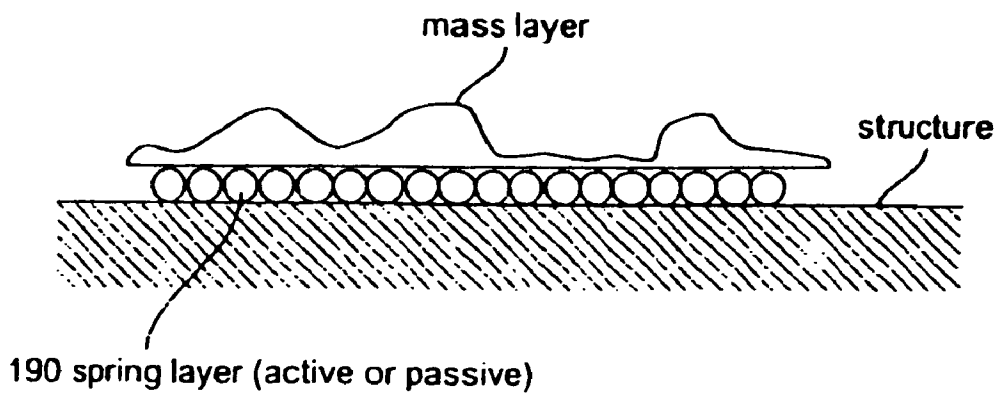


Figure 16

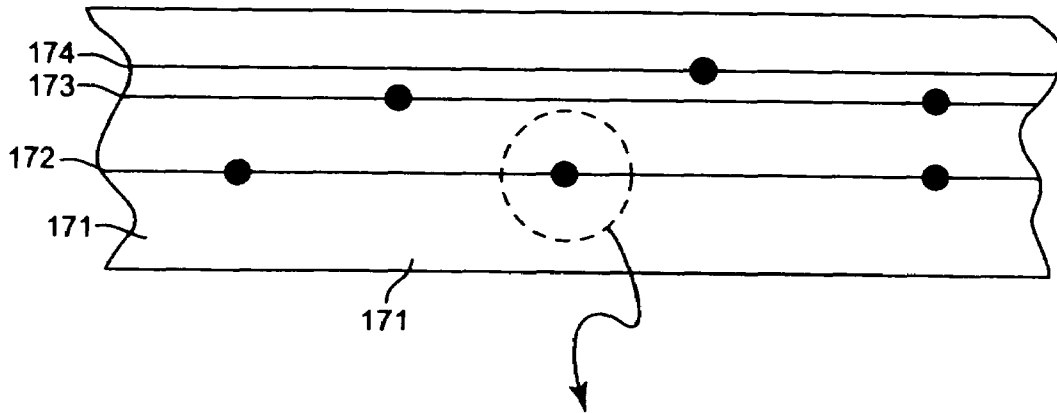


Figure 17

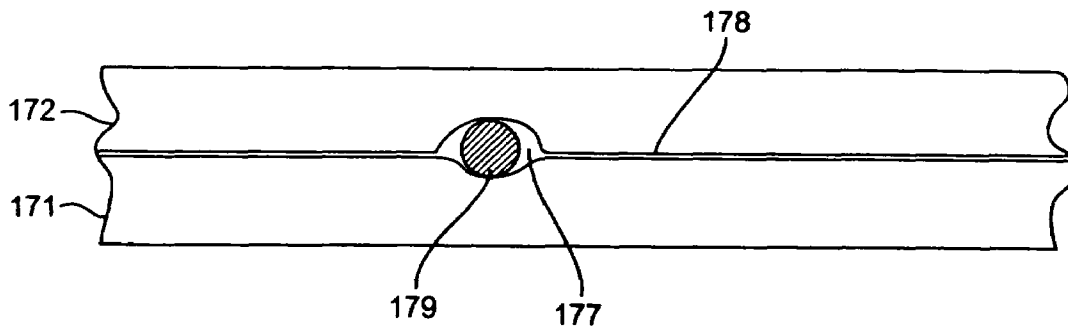


Figure 17A

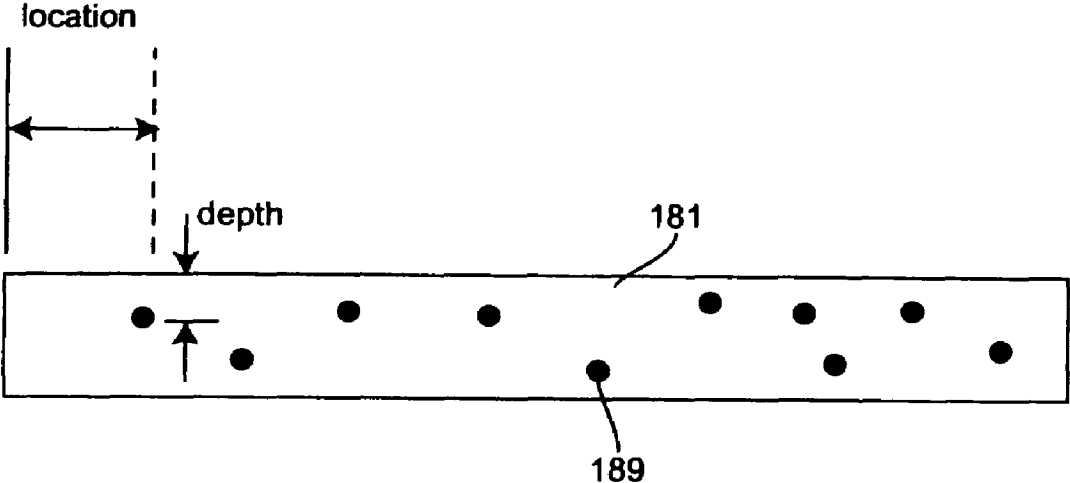


Figure 18

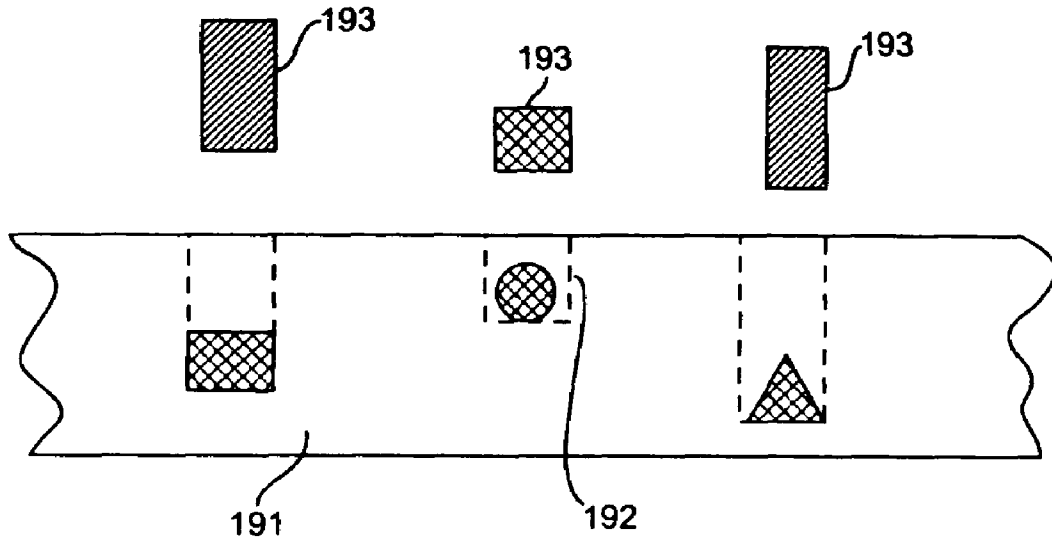


Figure 19

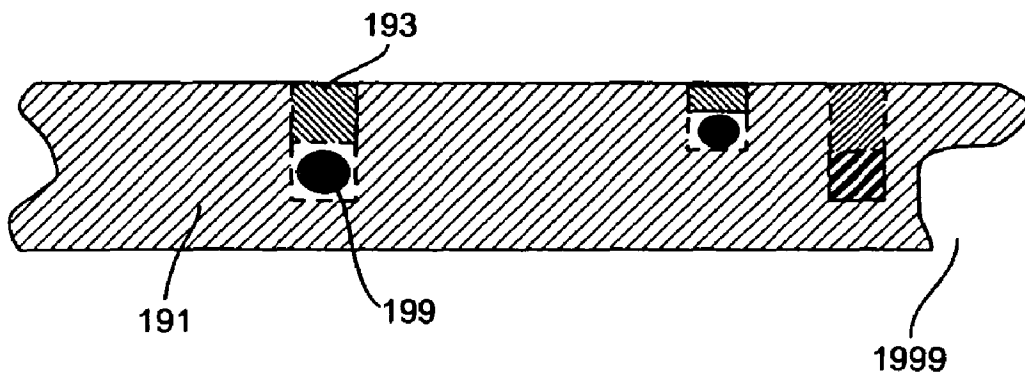


Figure 19A

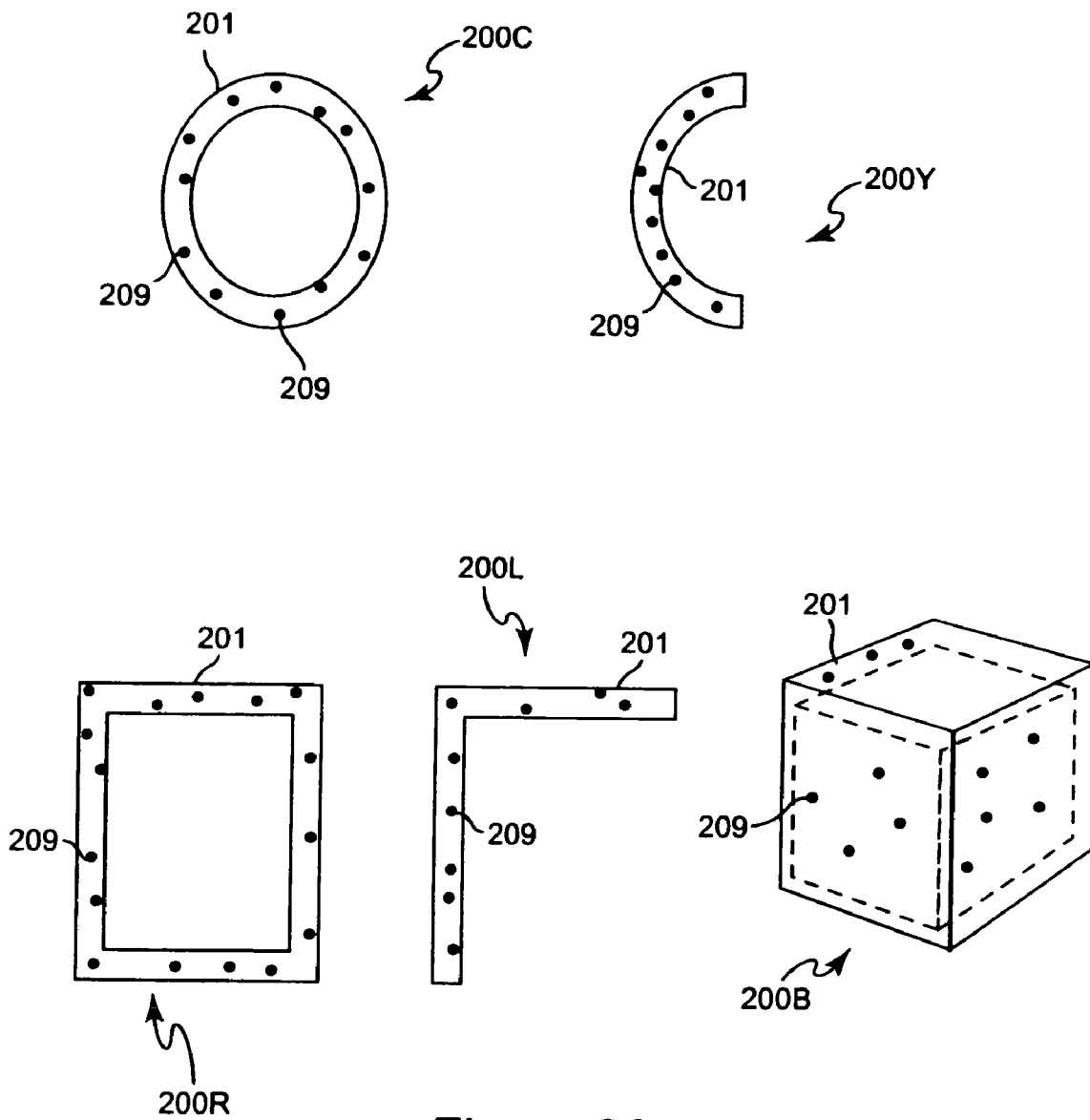


Figure 20

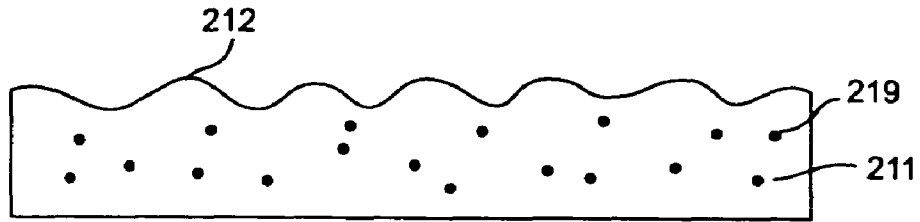


Figure 21A

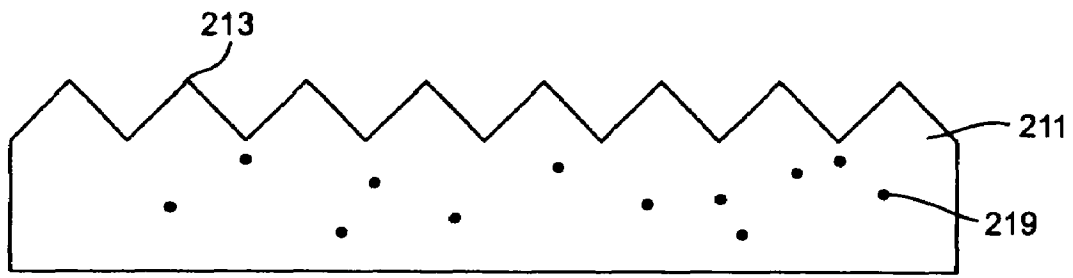


Figure 21B

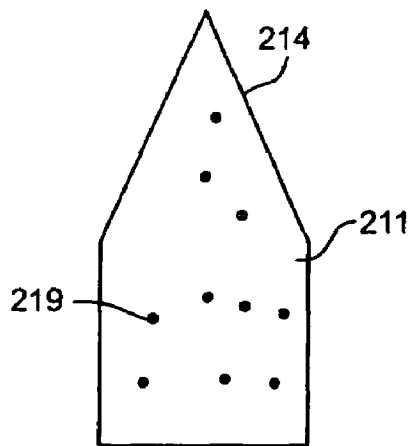


Figure 21C

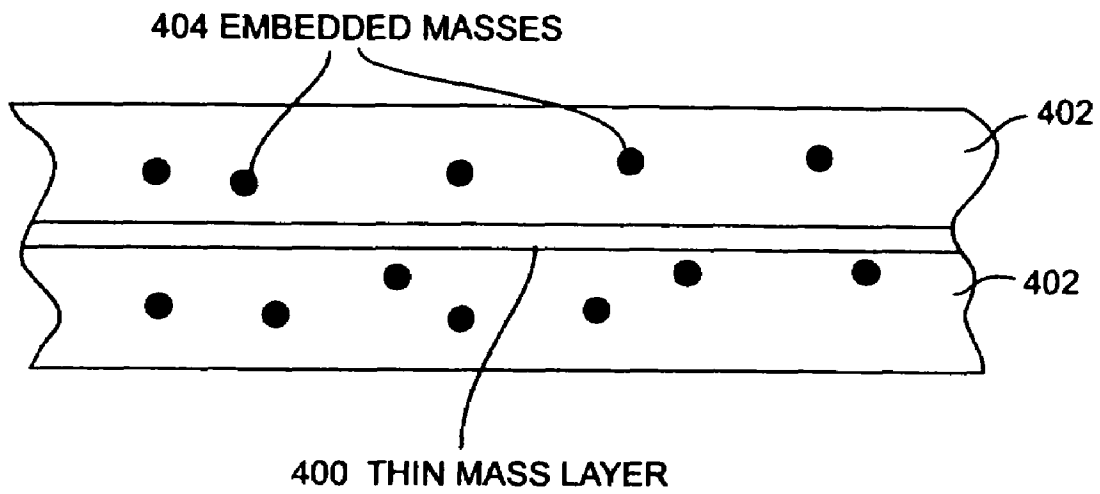


Figure 22A

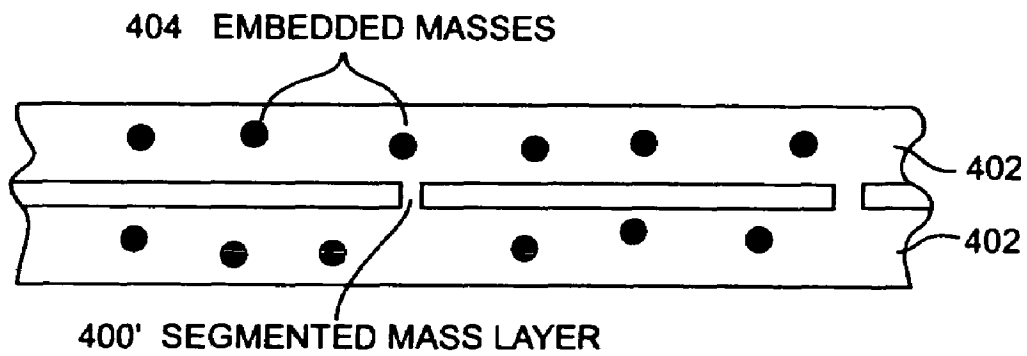


Figure 22B

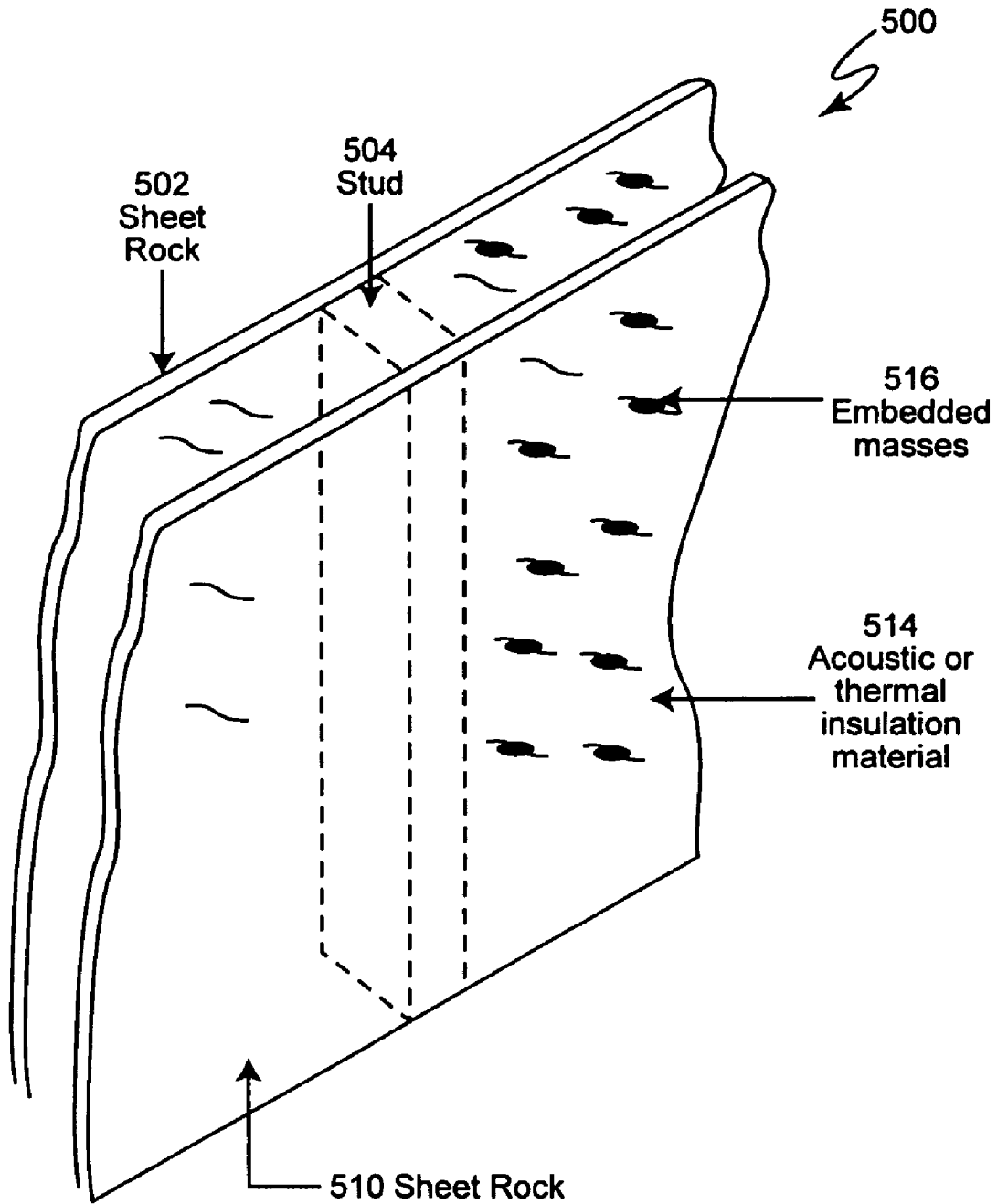


Figure 23

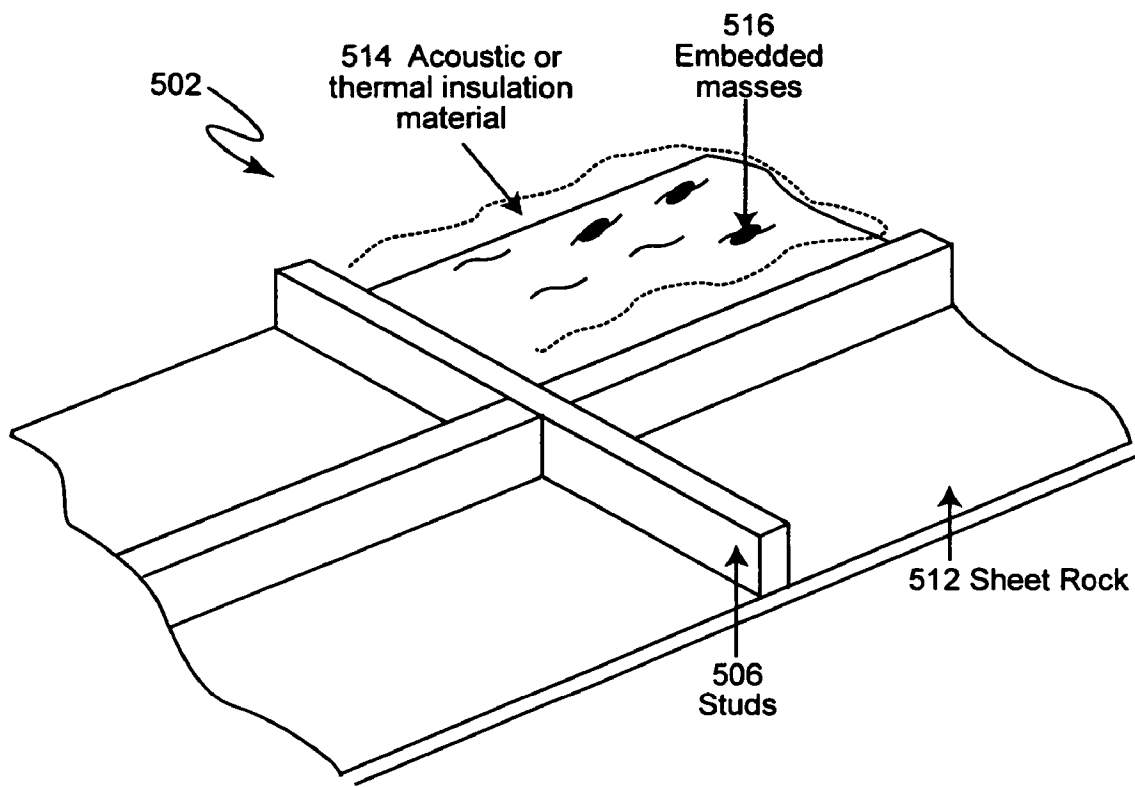


Figure 24

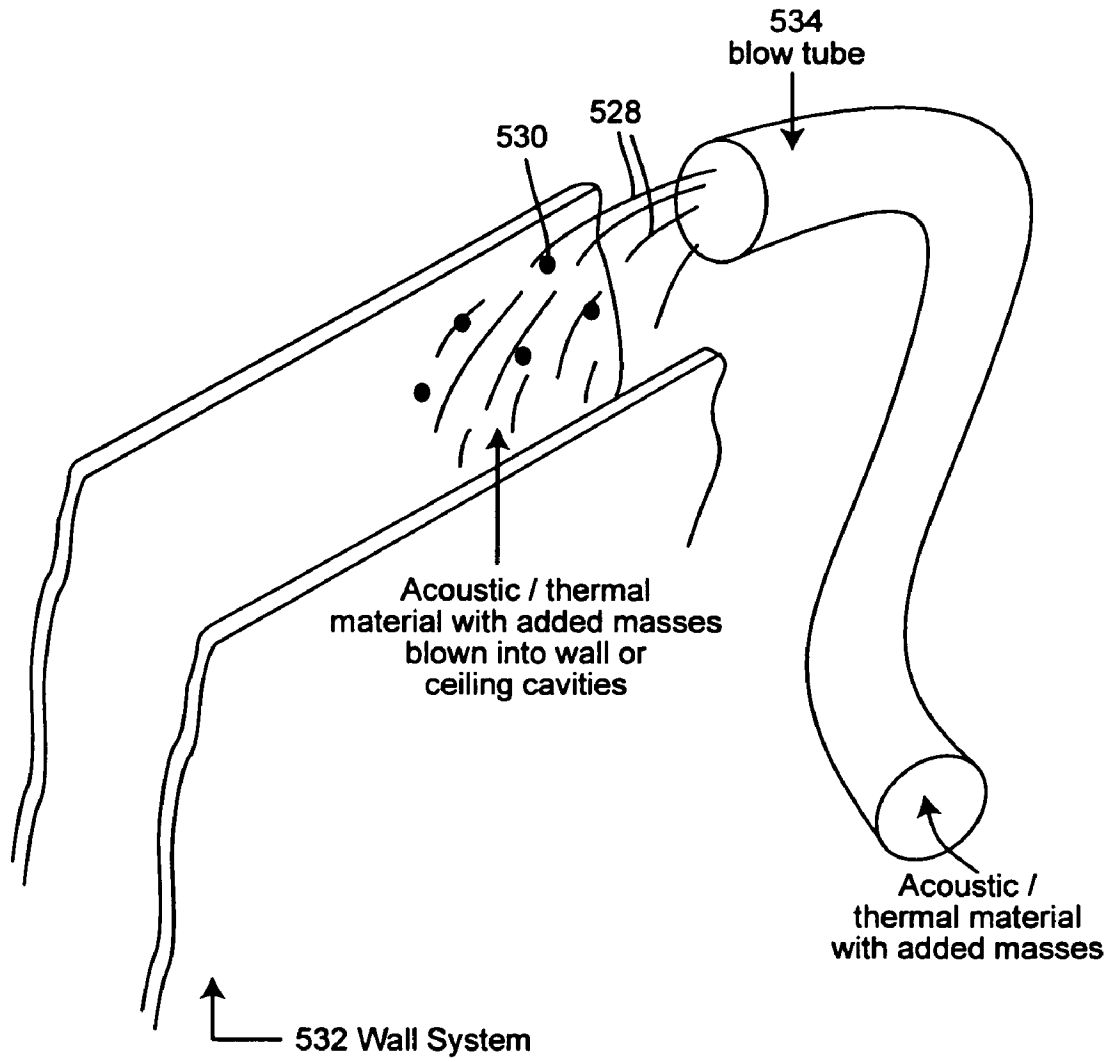


Figure 25

**ACTIVE/PASSIVE DISTRIBUTED ABSORBER
FOR VIBRATION AND SOUND RADIATION
CONTROL**

CROSS-REFERENCE TO RELATED
APPLICATIONS

This application is a continuation-in-part (CIP) application of U.S. Ser. No. 11/192,433 filed Jul. 29, 2005, now U.S. Pat. No. 7,573,177 which is a CIP application of U.S. Ser. No. 10/429,246, filed May 5, 2003 now U.S. Pat. No. 6,958,567, which is a CIP of U.S. Ser. No. 09/294,398, filed Apr. 20, 1999 now U.S. Pat. No. 6,700,304, and the complete contents of these applications is herein incorporated by reference.

BACKGROUND OF THE INVENTION

1. Field of the Invention

The present invention generally relates to a vibration absorber and, more particularly, to an active/passive distributed vibration absorber for controlling vibration and sound radiation.

2. Background Description

Active and passive noise reduction control techniques are widely known and commonly used to reduce and/or control vibrations and accompanying sound radiation in vibrating bodies, such as aircraft and the like. In many instances active noise reduction techniques adequately reduce vibrations and noise, but at the cost of expensive and complex control systems. Similarly, passive noise reduction techniques also have been known to reduce vibrations and noise, but these passive systems are typically bulky and heavy and are not effective over low vibration frequencies.

Basically, active vibration control systems use a sensor which detects vibration or noise from a vibrating body. The sensor converts the vibration or noise into a signal and then inverts and amplifies the signal. The inverted signal is then fed back to an actuator (or loudspeaker) which provides the inverted signal to the vibrating body thus reducing the vibration or noise. Active control systems are typically effective at lower frequencies such as below 1,000 Hz.

In order to properly take advantage of active control systems, the selection of proper sensors and actuators are critical to the functionality of the active control systems. That is, if an improper sensor or actuator is chosen, the active control system will not properly invert and amplify the signal, and will thus not adequately reduce the vibration and noise of the vibrating body. It is also critical to the functioning of the active vibration control system to properly position the sensor and the actuator on the vibrating body with respect to one another, as well as with respect to the vibrations associated with the vibrating structure. For example, if the sensor and the actuator are not positioned properly, the inverted signal may not be properly amplified in order to cancel the vibration on the vibrating body. Also, it is very important to have a correct feedback circuit with is capable of inverting the signal since such a circuit determines the effectiveness of the vibration control and its frequency range.

In contrast to active control systems, passive damping systems usually are much less complex and costly. However, such damping systems are bulky and are generally only effective at higher frequencies of greater than 500 Hz. It is at these greater frequencies that the dimensions of the passive damping systems are comparable with the wavelength of the vibration of the vibrating body.

It is also common in the practice of vibration control systems to combine active and passive vibration systems. How-

ever, such hybrid active/passive dynamic vibration control systems provide improved attenuation over that achieved by the passive system at the expense of the energy added to the system via the control force.

Point tuned vibration absorbers are another method of damping the vibration of a vibrating body. However, a point absorber only controls one frequency at one point and is thus limited in its function to control vibrations over a large area of the vibrating body.

SUMMARY OF THE INVENTION

It is an object of this invention to provide a distributed active vibration absorber, and a distributed passive vibration absorber.

It is another object of this invention to provide a distributed active vibration absorber which includes a sensor for sensing vibrations, a mechanism for deriving a control signal, and a mechanism to achieve feed forward and/or feedback control of the vibration absorber using the control signal.

According to the invention, there is provided a distributed active vibration absorber having multiple resonances layers. In one of the embodiments, the first layer includes an active elastic layer, preferably having a low stiffness per unit area. The second layer is a mass layer, and is adhered to an uppermost top portion of each waved portion of the active elastic layer. A resonance layer then comprises a combination of an active elastic layer and a mass layer. Multiple resonance layers can then be positioned on top of each other, and these resonance layers can have discretized masses (masses which are not connected and do not form an integral "layer") of the same or varying sizes and shapes (e.g., ball bearings, thin flat rectangles, etc.). In another embodiment, the active or passive vibration layer includes an elastic material such as a foam, fiberglass, urethane, rubber, or similar material, and the mass layer is distributed within the elastic material or affixed to the surface of the elastic material. The mass layer may be comprised of discretized mass sections of different size, thickness or shape. In addition, the actuator, such as polyvinylidene fluoride (PVDF), a piezoelectric ceramic or other electromechanical device may be embedded within the elastic material.

The active elastic layer has a low stiffness which allows motion in the direction perpendicular to its main plane. The active elastic layer can also be electrically actuated to induce motion in the direction perpendicular to its main plane. This additional property permits a controller to induce and/or change the motion of the mass layer and therefore improve the dynamic properties of the whole system. These two combined layers may have a selected frequency of resonance depending on the main structure and the stiffness, and preferably a frequency of resonance close to one of the main structure.

The active elastic layer may be a curved polyvinylidene fluoride (PVDF) layer; however, it may also be a piezoelectric ceramic, a PZT rubber, an electro mechanical device and the like. In addition, the active elastic layer could also be composed of a completely curved PVDF so that the corrugations completely encircle and become tubular structures supporting the mass layer. The active elastic layer includes electrodes on the surfaces thereof so that the active elastic layer may be electrically activated when a voltage is applied between the first and second electrodes. This electrical activation creates an electric field. It is further contemplated that the active elastic layer can be a piezoelectric material which mechanically shrinks and expands under an influence of the electric field. To this end, a distance between two planes on opposing

sides of the mass layer changes when the active elastic layer mechanically shrinks and expands under the influence of the electric field.

It is preferable that the mass layer weighs no more than approximately 10% of an overall mass of the vibrating structure, and the thickness of the mass layer is proportional to a weight per unit area of the vibrating structure. However, it should be understood that the mass layer may be more than 10% of the overall mass of the vibrating structure. It is further contemplated by the present invention to have a mass layer which is larger in areas where the vibrating structure has modal contributions of a large amplitude compared to where the vibrating structure has modal contributions of a smaller amplitude.

The mass layer may also have a constant mass with a constant thickness or a constant mass with a varying thickness according to modal contributions of the vibrating body. It is preferable that the mass layer matches locally varying response properties of the vibrating structure, especially when the thickness of the mass layer varies.

The mass layer may also may be discretized in the axial direction of the device in order to facilitate matching of the varying response of the vibrating structure.

In further embodiments, the active elastic layer includes sheets of plastic adhered to each side so as to prevent axial motion of the active elastic layer.

Accordingly, the DAVA can be tuned mechanically and electrically to reduce unwanted vibration and/or sound. The first layer is made of active material with low stiffness and allows the motion of a second layer made of a dense material. The layers, which may be multiple layers with multiple resonance frequencies, or multiple discretized layers are designed to modify globally the repartition of the kinetic energy. Moreover, the DAVA of the present invention controls the vibration over an entirety or over a large area of the vibrating structure over multiple frequencies, and can be electrically activated.

In another preferred embodiment, the invention provides a vibration absorber for controlling vibration and sound radiation over an extended area of a vibrating structure, comprising: a matrix of at least two masses, wherein a mass is associated with a distributed elastic element (such as, e.g., polyvinylidene fluoride, piezoelectric ceramic, metal, polymer, electromechanical devices, etc.), wherein distributed elastic elements are respectively distributed along an area of the vibrating structure; and the respective masses associated with the respective distributed elastic elements are spaced away from said vibrating structure.

In another preferred embodiment, the invention provides a method of making a vibration absorber, comprising at least the steps of: identifying frequency to be addressed when the vibration absorber will be in use for absorbing vibration; placing a plurality of masses (such as, e.g., masses individually having weights in a range of about 6-8 grams; etc.) in a blanket (such as, e.g., a blanket made from a solid material; a blanket made in layers with at least one mass placed in a layer at a specific location; etc.) at non-uniform depths and/or non-uniform mass-to-mass spacing to tune the blanket absorber to the identified frequency of step (a). Optionally, the inventive method of making a vibration absorber may include varying layer thickness and/or layer configuration. Optionally, the masses may be inserted into the blanket with a bonding agent. Optionally, the masses may be inserted into the blanket mechanically. In a preferred example of practicing the inventive method of making a vibration absorber, the weight of the formed vibration absorber including the masses

is a range of about 300-400 grams per 16 ft². In making a vibration absorber, various sized, various weighted masses may be included in a blanket.

In another embodiment of the invention, the vibration absorber is constructed from a three dimensional foam material, and includes a plurality of masses distributed at specified locations over an x-y dimension of the three dimensional foam material, and at specified depths in a z dimension of the three dimensional foam material. The specified locations and the specified depths the physical or chemical attributes of said foam material permit dampening of vibrations at specified frequencies. The three dimensional foam material can be constructed from a plurality of layers of foam. Masses can be distributed on different layers (this being akin to different specified depths in the z dimension). The masses can be inserted into openings in the three dimensional foam material, and be later covered up with a cover material. Alternatively, if the openings in the three dimensional foam material are in the form of slits, the slits can simply close over top of the masses without additional covering (in any event, it being understood that a cover over the mass is not required and is a matter of design choices). While discussed below as being openings on a single side of the foam material, it should be understood that the openings can be created on opposite sides of the foam material. The choice of mass can be wide ranging including metals (lead, steel, etc.), and non-metal materials (gels, liquids, or fibers, etc.).

In another embodiment of the invention, the vibration absorber is used as thermal and sound insulation in, for example, wall or ceiling systems. In this embodiment, a plurality of masses are distributed in acoustic or thermal insulation material that is positioned between, for example, between studs in a wall or ceiling system used in housing or commercial buildings. The distribution of the masses can be performed when making rolls of insulation during manufacturing processes, or, alternatively, masses could be blown into a space together with pieces of insulation material such that distribution of the masses is achieved simultaneously with insulating the wall or ceiling system. While wall and ceiling systems represent an important area of application, it should be understood that these same concepts could be extended to providing sound insulation in vehicles (boats, cars, planes, etc.) and industrial machinery.

BRIEF DESCRIPTION OF THE DRAWINGS

The foregoing and other objects, aspects and advantages will be better understood from the following detailed description of a preferred embodiment of the invention with reference to the drawings, in which:

FIG. 1 shows a schematic of a distributed active vibration absorber (DAVA) of a first embodiment of the present invention;

FIG. 2 shows the motion of the active elastic layer of the DAVA under electrical excitation;

FIG. 3 shows the motion of an active elastic layer of the DAVA under mechanical excitation;

FIG. 4 shows a schematic of a connection to an electrode of the DAVA;

FIG. 5 shows the experimental setup used to measure the performance of the DAVA compared to a point absorber;

FIG. 6 shows the results of a test rig shown in FIG. 5 with a 6" distributed absorber (not activated) of 100 g weight, a point absorber of 100 g weight, and a distributed mass layer of 100 g weight;

FIG. 7 shows a graph representative of the results of the simulation set up of FIG. 5;

FIG. 8 shows an active control experiment performed using the DAVA of the present invention;

FIG. 9 shows a layout of a controller and test rig used with the present invention;

FIG. 10 shows results of an active control experiment with a constant mass distribution DAVA;

FIG. 11 shows the DAVA with optimally varying mass distribution; and

FIG. 12 shows a cross-sectional view of a vibration absorber having mass layers with masses of varying thicknesses;

FIG. 13 shows a cross-sectional view of a vibration absorber having mass layers of discretized masses (not integral as is shown in FIG. 12), again with masses of different thicknesses at different locations;

FIG. 14 shows the DAVA with a perforated mass layer which allows vibratory sound or other vibratory input on the side of the DAVA opposite the structure undergoing damping to penetrate into the elastic layer, and be damped using the combination of the elastic layer and mass layer, and, additionally, the structure of FIG. 14 can be used to reduce unwanted sound radiation from the top mass layer;

FIG. 15 shows a cross-section of a vibration absorber having discretized masses of different sizes and shapes in different mass layers;

FIG. 16 shows a mass layer supported by an active or passive spring layer comprising PVDF or elastic material arranged in tubes;

FIG. 17 shows a cross-sectional view of an exemplary heterogeneous blanket according to the invention (see Example I);

FIG. 17A shows an enlarged view of part of FIG. 17;

FIG. 18 shows a cross-section view of an inventive blanket (see Example H);

FIGS. 19 and 19A show cross-sectional views of inventive blankets (see Example III);

FIG. 20 shows various examples of inventive HG blankets (see Example IV);

FIGS. 21a-c show side views of exemplary materials that have embedded masses therein, and which have at least one surfaces that is wavy, contoured, or jagged;

FIGS. 22a-b show cross-sectional side views of an HG blanket material which includes both an embedded thin mass layer and embedded HG masses;

FIG. 23 shows a wall system which includes embedded masses positioned in acoustic or thermal insulation material;

FIG. 24 shows a ceiling system with includes embedded masses in acoustic or thermal insulation material; and

FIG. 25 schematically shows a system for blowing in acoustic or thermal insulation material, together with masses that will be embedded therein, into wall or ceiling systems.

DETAILED DESCRIPTION OF THE PREFERRED EMBODIMENTS OF THE INVENTION

An exemplary distributed active vibration absorber (DAVA) of the present invention is preferably limited to the mass that can be used to damp a structure under vibration. Typically, the DAVA of the present invention does not weigh more than 10% of the overall mass of the structure; however, in applications the DAVA may weigh more than 10% of the overall mass of the structure. For the area with the most motion and therefore with potentially large modal contributions, the mass of the DAVA is expected to be larger compared to an area with small motions. Also, the efficiency of the DAVA is larger if the local resonance of the distributed absorber in this area is close to the excitation frequencies of

the disturbance. For the other areas, the resonance frequency might be higher than this excitation or lower than this excitation. Locally, the DAVA has approximately the same resonance frequency as a known point absorber such that the mass allocated locally is a fraction of the total mass and for this reason the local stiffness is a fraction of the global stiffness. The DAVA of the present invention is a distributed system which controls the vibration over the entire or large area of the vibrating structure over multiple frequencies, and preferably, in some applications, can be electrically activated.

FIG. 1 shows a schematic of a distributed active vibration absorber (DAVA) of a first embodiment of the present invention. In the preferred embodiment, the design of the present invention follows a two layer design. The first layer 14 is an active elastic layer with low stiffness per area that can be electrically activated, and is preferably polyvinylidene fluoride (PVDF) having a thickness of 10 μm . The first layer 14 may also be a piezoelectric ceramic, a PZT rubber, metals, an electro mechanical device and the like. The active elastic layer 14 may also be an elastic material, as identified by dashed lines 15 (e.g., foam) with embedded electrical actuators (e.g., the layer 14). Almost any material, e.g., acoustic foam, rubber, urethane, acoustic fiberglass, can be used, and the electrical actuators may be PVDF, PZT rubber, metals (those having spring like qualities such as spring steel), polymers (those having elastic or spring like qualities such as plastic), piezoceramics, or other electrical mechanical devices.

An active elastic layer 14 will be used hereinafter throughout the specification for illustrative purposes. However, it is well understood that any of the above-referenced materials and other materials or multiple layers of materials well known in the art of vibration control may be equally implemented with the present invention. Moreover, for clarity purposes, like numerals will be used for like elements throughout the remaining portions of the specification.

Still referring to FIG. 1, the active elastic layer 14 is preferably curved (e.g., wavy surface) to increase the amplitude of motion and decrease the stiffness of the system. In the embodiments of the present invention, the active elastic layer 14 is lightweight and resistant to bending, and preferably has the same design characteristics as corrugated cardboard. The second layer 16 is a distributed mass layer (e.g., absorber layer) which may have a constant thickness and may be comprised of a thin sheet of lead. It is well understood, however, that the mass distribution of the mass layer 16 may include varying masses or discretized masses of general shapes within the mass layer 16 along the entire or large area of the structure 12, and other appropriate thin sheet material, such as, steel, aluminum, lead, composite fiberglass material and the like may be used when practicing the present invention. In the embodiments using the varying mass distribution, the varying mass distribution will alter the local properties of the DAVA to ideally match the locally varying response properties of the base structure. It is also well understood that the DAVA is not limited to a two layer system of an active elastic layer and a mass layer, but may be a multiple layered system using the inventive concepts described herein, for example, a three or more layered system having at least one active elastic layer and at least one mass layer.

The mass layer 16 is designed to weigh 10% of the structure 12, and the thickness of the mass layer 16 depends directly on the weight per unit area of the structure 12. For example, for a steel beam or plate, the maximum thickness of

a uniform lead layer can be easily calculated, neglecting the weight of the active elastic layer 14 as follows:

$$h_m/h_p=(\rho_e/\rho_m)*10\%=78000/11300*10\%=7\%$$

Thus, for a steel beam of 6.35 mm, the maximum thickness of the mass layer 16 of the DAVA of the present invention is 0.44 mm. This is assuming that the DAVA covers the entire or large area of the surface of the structure 12 (e.g., beam). With this weight limitation, the active elastic layer 14, such as the curved PVDF layer, should be provided with a very low stiffness. This is especially true for the control of low frequencies. For example, with a 1 mm thick mass layer 16 (made of lead), the stiffness of a 2 mm thick active elastic layer 14 is $9e+5$ N/m in order to obtain a design resonance frequency at 1000 Hz. However, as previously discussed, the DAVA is capable of controlling the vibration over the entire area or over a large area of the vibrating structure over multiple frequencies.

As briefly discussed above, it is well understood that further embodiments of the present invention may include multiple layers of active elastic layers 14 and mass layers 16. By way of example, at least two active elastic layers 14 may be alternately stacked with at least two mass layers 16. In the further embodiments, each active elastic layer 14 may be tuned separately and each mass layers 16 may have a different mass in order to control different frequencies of the vibrating structure. Of course, the embodiments of the present invention are not limited to the above illustrative example, and may equally include more or less active elastic layers 14 (tuned to control different frequencies) and include more or less mass layers 16 (having different masses).

Preferably, on each side of the actuator, e.g., active elastic layer 14, are two thin layers of silver which act as electrodes 15. When a voltage is applied between these electrodes 17 (which can be placed anywhere on the active elastic layer—preferably on opposite sides thereof), an electric field is created within the active elastic layer 14. The active elastic layer 14 is preferably a piezoelectric material which mechanically shrinks and expands under the influence of an electric field.

FIG. 2 shows the motion of the active elastic layer 14 under electrical excitation. FIG. 2 may alternatively represent points where the active elastic layer 14, shown in FIG. 1, is glued with epoxy on two thin sheets of plastic 18 and where it contacts the structure 12 and mass layer 16 (which can be lead or other suitable material). The two sheets of plastic 18 on both sides of the active elastic layer 14 prevent any axial motion. Line 30 represents the active elastic layer 14 at rest and line 32 represents the active elastic layer 14 when $-V$ is applied. Furthermore, line 34 represents the active elastic layer 14 when $+V$ is applied. As seen clearly from FIG. 2, the length of the active elastic layer 14 changes when a voltage is applied to the active elastic layer 14, and as a consequence, the distance changes between the two planes on each side of the mass layer 16. The design of the DAVA transforms the in-plane motion of the active elastic layer 14 into the out-of-plane motion of the active elastic layer 14. FIG. 2 exaggerates the manner in which the shape of the active elastic layer 14 might bend under different stress configurations and, in fact, the motions of the active elastic layer 14 are small and are thus assumed linear.

For simplicity in analysis, it should be understood that the corrugated member, e.g., active elastic layer 14 (see FIG. 1), constitutes a plurality of springs. These are easily compressed without the mass 16, but once the mass 16 is applied, they are not easily compressed. Moreover, the mass 16, once applied, is then distributed over a plurality of springs.

FIG. 3 shows the motion of the active elastic layer 14 under mechanical excitation. Specifically, line 40 represents the active elastic layer 14 at rest and line 42 represents the active elastic layer 14 when a negative load is applied thereto. Furthermore, line 44 represents the active elastic layer 14 when a positive load is applied thereto. When the DAVA is constrained by mechanical forces, the length of the active elastic layer 14 does not change; however, the shape of the active elastic layer 14 is modified. It is noted that the bending stiffness of the mass layer 16 is not taken into account in the simulation since the shear of the mass layer 16 is neglected.

It is of import to note that the stiffness per unit area is low; however, the stiffness of the entire DAVA distributed over an extended area of the vibrating structure is high. It is also important to note that the stiffness (and mass) and thus resonant frequency of the DAVA may be adjusted depending on the particular application of the DAVA; however, the bending stiffness depends on the spatial wavelength and amplitude of the corrugated part of the active elastic layer 14 such that a larger wavelength reduces the bending stiffness in the normal direction. It is further noted that the bending stiffness of the DAVA in the perpendicular direction is extremely high and is preferably similar to a honeycomb structure. Moreover, the transverse stiffness of the DAVA is locally small, and globally the DAVA has the same stiffness as a point absorber with similar mass. Thus, the DAVA is globally very resistant to crushing although an individual sheet of the active elastic layer 14 is very flexible.

The transversal stiffness and thus the resonant frequency of the active elastic layer 14 can be adjusted by the height of the active elastic layer 14, the wavelength of the corrugated active elastic layer 14, the thickness of the active elastic layer 14, and the electric shunt between the electrodes of the active elastic layer 14. Specifically, increasing the thickness of the active elastic layer 14 reduces the transversal stiffness of the DAVA. In order to have a device conformal to the extended area of the vibrating structure (as is in the present invention), this thickness cannot be increased very much. The second parameter that can be modified is the wavelength of the active elastic layer 14 such that a larger wavelength decreases the transversal stiffness of the active elastic layer 14. This parameter change is also limited since the wavelength should stay small in comparison to the wavelength of the disturbance, otherwise the DAVA may lose its distributed properties.

The thickness of the active elastic layer 14 is another parameter that can be adjusted in order to affect the stiffness of the DAVA. For example, a thinner active elastic layer 14 will lower the stiffness of the active elastic layer 14. The last solution to modify the transversal stiffness of the active elastic layer 14 is to use the piezoelectric properties of the active elastic layer 14. For example, electric shunts can provide slight changes in stiffness of the active elastic layer 14. Thus, when an active input is provided to the active elastic layer 14, the active elastic layer 14 can be controlled to behave as if its mechanical stiffness was smaller or larger.

The DAVA can be prepared by cutting a PVDF sheet, or other similar sheet as described above, along its main direction (PVDF has a direction in which the strains will be greater under active excitation, and this direction is the main vibration direction of the absorber and based structure). Then, preferably 1 to 2 mm of the silver electrodes are removed on the edge of the PVDF sheet. In the preferred embodiments, acetone is a very good solvent for removing the silver electrodes 17. The third step is to install a connector linked to each electrode 17. FIG. 4 shows a schematic of a connection to an electrode of the DAVA. Specifically, two areas at one end of the active elastic layer 14 are selected to support a rivet 20.

These areas should have an electrode **17** only on one side thereof. One electrode **17** is removed for each area so that the rivet **20** will only be in contact with one electrode **17**. A hole slightly smaller than the diameter of the rivet **20** is cut in these areas, and a top of each rivet **20** is soldered to a wire **22** so that it can be properly positioned using riveting pliers. In embodiments, an additional piece of plastic **24** can be placed on the backside of the active elastic layer **14** in order to provide a more robust connection. The rivet **20** is then placed in the rivet holes using riveting pliers known in the art. An additional wire (not shown) is connected to the other electrode and the two wires are then soldered to an electrical connector. The precision with which this connection is built is important, since very high voltages can drive the PVDF active part of the DAVA. It will be understood by those of skill in the art that many other forms of electrical connection may be used within the practice of the present invention.

The active elastic layer can be corrugated to suitable specifications given the structure whose vibrations are to be damped. This can be accomplished in a number of ways. One preferred method contemplates setting the PVDF between a set of calibrated steel pins and holding it in place for a period of days. Plastic sheets (not shown) may be adhered to either side (top and bottom) of the PVDF for ease in adhering the PVDF to the structure whose vibration is to be damped, and in adhering the mass to the PVDF (e.g., glue or other suitable joining material can be applied uniformly to plastic sheets after the sheets are affixed to the corrugated structure. In addition, the plastic sheets may serve to electrically isolate the PVDF from the vibrating structure and/or applied mass. Also, the corrugated PVDF might be positioned within a foam or other elastic material. This can be accomplished by depositing elastic material on the surfaces of the PVDF, and or inserting the PVDF into an elastic material. As explained above, alternative actuator materials may also be employed instead of PVDF (e.g., metals, piezo ceramics, etc.). The PVDF may also be completely curved so that the corrugations encircle themselves so as to form tubular structures which support the mass. In some passive applications other materials such as plastic or spring steel can be used to construct the tubes as in a corrugated spring layer.

FIG. **5** shows the experimental setup used to measure the performance of the DAVA compared to a point absorber. This same experiment is also aimed at tuning and validating the simulation. A noise generator **40** provides a white noise signal of frequency band of 0 to 1600 Hz. This signal is then amplified at amplifier **42** and passed through a voltage step-up transformer **44**. The output of the transformer **44** is used to drive the PZT which then actuates a supported beam. A laser velocimeter **46** measures the normal velocity along the beam, and its output is acquired by a data acquisition system **48** (e.g., a personal computer, acquisition card and associated software). A personal computer **50** is then used to post-process the data.

FIG. **6** represents the mean square velocity of the beam. This data can be associated to the average kinetic energy of the beam, and is computed by summing the squared velocities of every point and by dividing by the number of points (e.g., **23**). The mean square velocity is normalized per volt of excitation, and is presented from 1000 Hz to 1600 Hz. This frequency band does not include the first mode of the beam, which is at 40 Hz. All of the lines of FIG. **6** except line **50** show vibration control systems having the same mass (e.g., local and distributed absorbers have 100 g). Line **50** represents the measurement of the beam alone such that the second to the sixth mode of the beam can be observed in order. The line **52** represents the behavior of the beam with a 100 g point

absorber. The resonance frequency of this absorber is 850 Hz, and will have an effect on the fifth mode. This mode is split in two resonances with smaller peak values. Note that while the point absorber reduces the vibration at its attachment point, it actually increases the mean squared velocity of the beam. With a better tuning (resonance frequency of the absorber at 1000 Hz) these peak values would be slightly moved to the right of the axis and centered around 1000 Hz. The line **54** represents the behavior of the beam with the DAVA. In this experiment, the DAVA is used as a passive device. The attenuation provided by the DAVA can be seen to be different from the point absorber. At nearly all frequencies the DAVA provides better global attenuation of the beam vibration than the point absorber, especially at the modal resonance peaks. Similar results are shown in the simulation set up of FIG. **7**. The lines **50**, **52**, **54** of FIG. **6** are the same as lines **50**, **52**, **54** of FIG. **7**. Significant reduction is also achieved for the third, fourth and sixth mode. Note that the point absorber achieves very small reduction in comparison. The added mass denoted by line **55** in FIG. **6** and line **55** in FIG. **7** demonstrates only a slight change in the resonance frequencies and adds only a little damping. A distributed mass of the same weight does not provide nearly as much vibration attenuation as the DAVA. As can then be seen, the DAVA works by using a dynamic effect (reactive force) to control the beam vibration similar in concept to the point absorber, but over a distributed area, hence its improved performance.

The simulation of FIGS. **6** and **7** show clearly the difference between the two types of absorbers, e.g., point absorber and the DAVA of the present invention. For example, the point absorber is very efficient at reducing the response at a single frequency and at a single point on the vibrating structure. The energy is just moved to different frequency bands and two new resonance are created. However, the DAVA does not have this drawback, and the mean squared vibration energy of the beam is diminished for all the resonance frequencies of the beam and there is no new appearance of resonance. Thus, the DAVA is potentially able to control several modes at a time at different frequencies. This property might be extremely useful for the damping of modally dense structures such as plates.

FIG. **8** shows an active control experiment performed using an exemplary DAVA of the present invention. The control system employs three accelerometers **60** as error sensors, pass-band filters **64**, and a feed forward LMS controller **62** (implemented on a C40 DSP board). The vibration measurements are again performed with the laser velocimeter **46**. The disturbance is again white noise generated by the same DSP used to implement the controller **62**. The controller **62** attempts to minimize the error sensor signals by controlling the beam with the active part of the DAVA. All the inputs and outputs of the controller are filtered with band pass filters **64**. The control algorithm is the LMS algorithm which is well known in the field of vibration control and which optimizes a set of N adaptive filters in order to minimize an error signal knowing a set of inputs. The algorithm can be used to model a linear system. A gradient method is used to find the optimum weight to be associated with the N past values of the system inputs. The error signal used for the gradient search is the difference between the real output of the system and the output of the adaptive filter.

FIG. **9** shows a layout of a controller and test rig to test the performance of the DAVA. In this experiment, the disturbance signal is also used as the reference signal and has to be filtered by estimate of the transfer function between the DAVA and each error sensor (accelerometers) **60** of FIG. **8**. These transfer functions are obtained by system identification using the

LMS algorithm, and the controller software minimizes the vibration at the error sensor locations using the active input on the DAVA. The different parameters for this active control experiment are presented in Table 1.

TABLE 1

Error Sensors	3
Active Absorbers	1
Disturbances	PZT Patch
Reference	Internal
Sampling Frequency	5000 Hz
System ID filter coefficients	120
Control Path Filter Coefficients	180

Table 1: Parameters for Active Control

The error sensors **60** were respectively positioned at $-7.5''$, $-1.5''$, and $5.5''$ from the center of the beam. Vibration measurements were performed using the laser velocimeter every inch of the beam (e.g., 23 points overall).

The mean square velocity is computed from summing the square of the velocity amplitude of response at each point and taking the mean. The mean squared velocity is thus proportional to the total energy of vibration in the beam and is presented in FIG. 10. Specifically, FIG. 10 shows the active control experiment with the DAVA of the present invention (constant mass distribution). The line **70** represents the behavior of the beam with no devices attached to it and thus represents a baseline for comparison. The line **72** represents the behavior of the beam with a DAVA attached and acting as a passive device (i.e. no control signal applied). The results for the passive DAVA show good attenuation of the total beam energy at all the resonance frequencies. The reduction in mean square velocity obtained in this passive configuration is 10 dB for the frequency band of 100-1600 Hz. The results thus illustrate the two key passive aspects of the DAVA; control of vibration throughout the complete beam and control at multiple frequencies simultaneously. This should be contrasted to a conventional point vibration absorber which typically only controls vibration at one point and a single frequency. With the active control on, an additional 3 dB attenuation in mean squared velocity is obtained. The behavior of the beam controlled actively by the DAVA is presented by the line **74**. The performance of the active system is very good at reducing the resonance peaks, for example, a 20 dB reduction is obtained at 600 Hz which is the most important peak before control. In between resonances, the active control increases the vibration (termed control spillover), which can be easily corrected by using a better controller and more error sensors. With the active control on, the structure has a non-resonant behavior, and the DAVA adds a significant damping to the system. No active control is obtained below 400 Hz due to the response of the PVDF and of the absorber itself. Other active elements such as electromagnetic actuators would lower this operational active frequency.

In order to increase the efficiency of the DAVA, the mass distribution is optimized. That is, in order to provide an increased attenuation, the mass layer **16** will preferably vary along the length of the entire or large area of the beam. The varying mass distribution will alter the local properties of the DAVA to ideally match the locally varying response properties of the base structure. However, because the beam/DAVA response is complicated along the beam it is sometimes necessary to derive an optimal process for choosing the mass distribution.

FIG. 11 shows the DAVA with optimally varying mass distribution. The sign on top of each part of the DAVA refers to the polarity of the elastic PVDF sheet **14** in respect to the piezoelectric drive patch (the disturbance). It is noted that the beam response used in the optimization procedure is strongly dependent upon the disturbance location, and that the maximum reactive dynamic effect of the DAVA occurs in direct opposition to the disturbance. The thickness of the mass layer **16** may be varied, while the mass remains constant. The mass variation may be as a continuous element or in discrete sections as illustrated in FIG. 11.

In another configuration the multiple mass resonance layers with varying mass layer properties can be used. FIG. 12 shows one arrangement of such a system with two resonance mass layers **150** and **152** embedded in foam as a spring material **154**. It is understood that the mass layers can be continuous or in discrete sections. Such a device has the advantage of two resonances and thus a broader frequency range of vibration control. FIG. 12 shows the mass layer **150** having larger thicknesses at locations where mass layer **152** is relatively thinner. Varying the thickness of the mass layer **150** or **152** will provide the vibration absorber with different resonance characteristics, and varying the thickness of the mass layer **150** and **152** relative to one another at the same relative location in the Z axis can allow two different resonances to be simultaneously addressed.

In another configuration shown in FIG. 13 the mass layers **160** and **162** and **164** are segmented and are located at different depths in the spring material **166** such as foam. The different depths alter the stiffness of the spring material supporting each mass. Such an arrangement leads to multiple resonance frequencies of the devices due to the multiple depths and thus spring rates at which the masses are embedded. The multiple resonance frequencies lead to a very broad-band of frequencies over which the device is effective. It is noted that the embedded discretized masses can be of any general shape. In addition different materials described above can be used for the spring system (e.g., rubber, fiberglass batting, spring metal, urethane, or the like) FIG. 13 shows that many different mass layers can be used, the mass layers can be discretized (i.e., segmented), and the mass layers can have segments which are of different thicknesses. These layers **160**, **162**, and **164** can be made in a controlled fashion for tuning at specific frequencies at specific locations, but more preferably, can be applied in a random fashion so as to achieve a vibration absorbing device suitable for multiple resonance frequencies. In addition, the device shown in FIG. 13 can be used in both active and passive vibration control systems as discussed below.

In variations on the embodiments shown in FIGS. 12 and 13, active elements such as curved piezoelectric polymers and ceramics as well as electromagnetic actuators can be embedded in the spring material to apply active forces to change the motion of the mass elements. Such a device will have improved performance when used in conjunction with an electrical control approach as discussed previously. In particular, the active control, coupled with the varying masses at one or more levels within the elastic layers, will allow for significantly improved vibration damping in many applications.

FIG. 14 shows another embodiment of the device where the mass layer **170** consists of perforated material (e.g., perforated lead or steel, etc). With such an arrangement the vibration absorber is also able to absorb acoustic waves incident on its surface that propagate through the perforations **172** as well as control vibrations of the base structure under the elastic material **174**. This embodiment prevents the mass layer **170**

from acting like an acoustic source (i.e., in some applications, an integral "layer" for the mass will transmit acoustic signals from the damped structure which emanate through the elastic material to the ambient environment). Furthermore, vibrations or acoustic signals from the ambient environment might also pass through the perforations and be damped by the vibration absorber in addition to the vibrations from the structure (underlying elastic layer 174) which are damped by the vibration absorber. As discussed above in conjunction with FIGS. 12 and 13, the configuration of FIG. 14 can be used with both active and passive devices (active devices being those which includes embedded PVDF or piezo ceramics or other materials which can expand or contract under an applied voltage; passive devices simply including the mass layer 172 and elastic material 174 (but which can also have embedded spring material (e.g., metals, etc.))). Furthermore, the configuration of FIG. 14 may also be used in combination with embedded discretized masses at one or more planes within the elastic material as is shown in FIGS. 13 and 15, and the discretized masses may vary in size, shape and weight.

FIG. 15 shows a vibration absorber with embedded discretized mass layers 180 and 182 in an elastic material 184. FIG. 15 illustrates the use of masses of different sizes and shapes. These can be randomly distributed for achieving damping of a wide range of resonance frequencies, or they can be applied in a prescribed pattern to tune the frequency response at specific locations in the vibration absorber to specific frequencies. Some of the masses may be ball bearing type spheres, while others may be flat thin rectangles. The shape of the mass will influence the responsiveness to different vibration frequencies in different ways which are controllable as desired by the fabricator.

The vibration absorbers shown in FIGS. 12-15 can be made by a variety of techniques, the simplest of which involves applying a layer of foam, depositing a layer of integral or discretized masses, followed by repeating the foam and mass layer process several times. Alternatively, the mass layers may be embedded within the elastic material during fabrication of the elastic material. Alternatively, the elastic material may be cut at selected locations and the mass sections inserted into the elastic material via the cut. Once inserted the elasticity of the material holds the mass in position and closes the cut.

FIG. 16 shows a DAVA or vibration absorber in which the active spring layer consists of tubes 190 of PVDF or plastic like material or the like, respectively for active or passive applications. Since the tubular shape is a full extension of the curved corrugation shapes and retains the curvature along the plane of the absorber, electrical activation will still provide normal active inputs to the mass. However, with the tubular structure, the diameter of the tubes can be more easily adjusted and sized to provide damping of the DAVA or vibration absorber due to viscous losses of fluid being pumped in and out of the tubes. Inventive vibration absorbers (such as a vibration absorber comprising a matrix of at least two masses, wherein a mass is associated with a distributed elastic element, wherein distributed elastic elements are respectively distributed along an area of the vibrating structure; and the respective masses associated with the respective distributed elastic elements are spaced away from said vibrating structure) optionally may comprise an elastic material (such as, e.g., acoustic foam, acoustic fiberglass, fiberglass batting, distributed spring material, urethane, rubber, etc.) with the distributed elastic element being embedded within said elastic material. Examples of inventive vibration absorbers are, e.g., a vibration absorber comprising elastic material that is rubber and a distributed elastic element that is polyvinylidene

fluoride and a vibration absorber wherein said elastic material is solid urethane and said distributed elastic element is polyvinylidene fluoride. Inventive vibration absorbers optionally may comprise distributed elastic element having a waved shape along at least one dimension.

In the inventive vibration absorbers, the mass may be adhered to a surface of a distributed elastic element used in the vibration absorber. A mass used in an inventive vibration absorber optionally may be comprised of distributed discrete mass sections. Where two discrete mass sections are used in a vibration absorber, optionally at least two of said discrete mass sections are, with respect to each other, at least one of: different in size, different in shape, and different in thickness. In a vibration absorber in which discrete mass sections and elastic material are used, the discrete mass sections may be embedded within the elastic material, such as the discrete mass sections being embedded within the elastic material in at least two different planes. In a vibration absorber in which discrete mass sections and elastic material are used, the discrete mass sections may include at least one mass section on a surface of the elastic material and another mass section embedded within the elastic material. In a vibration absorber in which two discrete mass sections and elastic material are used, the two discrete mass sections may be embedded within the elastic material at different planes. In a vibration absorber in which two discrete mass sections and elastic material are used, a first discrete mass section may be present on a surface of the elastic material, and a second discrete mass section may be embedded within the elastic material.

A distributed elastic element used in a vibration absorber may include one or more tubular elements. Tubular elements may be composed of, e.g., polyvinylidene fluoride (PVDF), metals, plastic, etc.

A mass used in a vibration absorber may be perforated. For example, perforations may be included in a mass in an amount of perforations in the mass sufficient to reduce or eliminate sound vibrations from emanating from a top of said mass layer; in an amount of perforations in the mass sufficient to permit sound from an ambient environment to penetrate into said distributed elastic element through said mass layer; etc.

A mass used in a vibration absorber may be comprised of metal (such as, e.g., lead, steel, etc.), plastic, ceramic, glass, fiber, carbon, solids, gels, fibers; etc. When more than one mass is used, such as two or more masses used in a matrix, the masses may be the same or different.

An exemplary structure for an inventive vibration absorber is a structure comprising a matrix of a plurality of masses, such as, e.g., a matrix comprising masses of one or more geometric regular shapes; a matrix comprising masses of one or more irregular shapes; a matrix comprising different depths of mass placement and/or different mass-to-mass spacing.

Further examples are set forth below for better appreciating the invention, but the invention is not limited to the examples.

Referring to the Examples below, inventive heterogeneous (HG) blankets for vibration and acoustic control are discussed.

The inventive blankets of Examples I-V can be used in any application in which acoustic damping or vibration damping materials are used. The inventive blankets may be used in place of existing melamine/polyurethane foams conventionally used in commercial and industrial noise control (which conventional acoustical foams are used solely as absorbent materials to reduce reflection and reverberation). Advantageously, the inventive HG blankets of Examples serve mul-

15

tiple purposes, including but not limited to: reducing structure-borne vibration, providing transmission loss, and reducing reverberation.

In a further embodiment of the invention the HG blanket includes an elastic material with at least two masses embedded in the material at various locations and depths, and one or more continuous thin layers of material embedded in the elastic material at various depths. The continuous layer of material can be selected from one of the following material systems such as limp mass barrier, thin elastic metal plate, thin polymer plate or a combination of these. The thin continuous may be segmented at periodic lengths but these lengths are far longer than the thickness of the continuous layer. In this embodiment, one can construct a free hanging HG blanket which can be suspended in space with no supporting structure. The embedded masses then act upon the embedded thin layer to improve its sound transmission loss. We have tested such arrangements with good results. The previous acoustic or vibration damping configurations needed a structure to which it was attached (like an aircraft fuselage). This free standard version contemplated by this embodiment thus integrates this structure into it.

In a further embodiment of the invention, the HG blanket is positioned in, for example, wall or ceiling structures of homes and commercial buildings, inside the housing of industrial machinery or other equipment, or inside of doors, wings, hulls, and other parts of water, land or air vehicles to serve as an acoustic barrier. The HG blanket can be made of commercial thermal or acoustic insulation material, and will have embedded masses distributed therein. The masses can be distributed during fabrication of rolls of insulation material and can be distributed at one more depths, or simply distributed randomly during fabrication. The masses can be of different sizes, weights, and shapes. In a specific variation on this embodiment, the masses could be blown into place together with the insulation material such that the masses are simultaneously randomly distributed together with the installation of the insulation material in the wall or ceiling structures, or other structures as mentioned above.

EXAMPLE I

Referring to FIGS. 17 and 17A, the HG blanket of this Example I comprises layers 171, 172, 173, and 174 of foam with masses 179 positioned on top of one or more of each of the layers. (A four-layer blanket is shown in FIGS. 17 and 17A, but it should be appreciated that other numbers of layers greater or less than four layers may be used in a blanket according to the invention.) Layers 171, 172, 173, and 174 are attached to each other by bonding methods or agents such as by gluing, foaming, etc. Layers 171, 172, 173, and 174 may be of the same or different thickness(es). Layers 171, 172, 173, and 174 are of specified thickness and number related to the depth of the masses 179. The same or different foam materials can be used in each layer 171, 172, 173, and 174. Different acoustic materials such as fiberglass batting can be used in place of foam in one or more of the layers 171, 172, 173, and 174.

An interface bonding agent may be used such as interface bonding agent 178 between layers 172 and 171. Referring to foam at point 177, the foam can be completely touching the mass 179 over the whole surface or partially touching the mass 179.

EXAMPLE II

Referring to FIG. 18, in Example II, the HG blanket comprises masses 189 located at specified depths and locations.

16

Depths at which to place the masses are determined by designing the embedded masses 189 to resonate at target frequencies, taking into account stiffness of the material 181 (such as foam, fiberglass batting, etc.) and weight of the mass 189. Location at which to place the mass 189 is determined based on target mode shapes. Stiffness of the material 181 (such as foam stiffness) is either measured or calculated.

Depth of the mass 189 determines resonance frequency of that mass 189. Location determines modal shape of the structure to be controlled. For a designed blanket, a set of locations and depths are specified for multiple embedded masses 189.

EXAMPLE III

Referring to FIGS. 19 and 19A, in this Example III, the inventive HG blanket comprises layers of an acoustic material 191 (such as foam, fiberglass batting, etc.) with masses 199 positioned in holes 192 cored out of the foam. Plugs 193 made of an acoustic material (such as foam, fiberglass batting, etc.) are then placed in the core to hold the masses 199 in place. A bonding method, such as gluing, foaming, etc., is used to hold the core in place. FIG. 19A shows the finished HG blanket 1999 which has been formed by coring out holes 192; inserting masses 199; and inserting plugs 193 and fixing the plugs 193 in place. FIG. 19 shows an earlier step in the making of the completed blanket 1999 of FIG. 19A.

In an alternative approach, the acoustic material 191 (such as foam, fiberglass batting, etc.) is cut in a slit and the mass is inserted in the slit to the required depth (i.e., no plug is required). A bonding method such as gluing, foaming, etc., is used to close the slit and hold the mass in place.

EXAMPLE IV

Referring to FIG. 20, an inventive HG blanket may comprise circular, curved sections, rectangular and box shaped HG blankets as non-limiting examples. Circular HG blanket 200C includes embedded masses 209 and an acoustic material 201 (such as, e.g., foam, etc.). Curved section HG blanket 200V includes masses 209 and acoustic material 201. Rectangular HG blanket 200R includes masses 209 and acoustic material 201. L-section HG blanket 200L includes masses 209 and acoustic material 201. Box section HG blanket 200B has a hollow interior and includes masses 209 and acoustic material 201.

EXAMPLE V

Referring to FIG. 21, an inventive HG blanket comprising embedded masses 219 and acoustic material 211 (such as, e.g., foam, fiberglass batting, etc.) may comprise different shaped surfaces such as ridges, curves, wavy lines, and peaks (e.g., single peaks or multiple peaks). The HG blanket may also include and be combined with Examples I through IV. An example of a curved or wavy surface is surface 212. An example of a saw-toothed surface is surface 213. An example of a wedge is single wedge 214.

Examples I-V are non-limiting examples. A variety of matrices comprising acoustic material and embedded masses may be designed and constructed. In constructing a matrix comprising acoustic material and masses that will have intended vibration absorbing effect, various shapes may be used for the masses, for example, balls, disks, plates, or other geometric regular or irregular shapes. The masses may be the same shape or different shapes. The masses may be the same size or different sizes, and may be the same weight or different weights. Examples of materials of which to construct the

17

masses are, e.g., metal, plastic, ceramic, glass, fiber, carbon, etc.; solids, gels, fibers, etc. The masses may be placed at varying depths in the acoustic material and with varying mass-to-mass spacing.

The selection of masses and their weight, size and placement is determined by the predominant frequencies to be addressed when the vibration absorber will be in use. The vibration absorber (such as an HG blanket) can be tuned to demonstrate greater transmission loss and/or absorption in a particular frequency or set of frequencies. The size, shape and weight of the masses affect the sound and vibration reaction. The placement of the masses is particularly noteworthy because placing more or less parts of the set of masses at particular depths "tunes" the blanket. The HG blanket can also increase performance in particular applications by the proximity of masses to the edge of the matrix material (i.e., the acoustic material).

The vibration absorber (e.g., an HG blanket) can be fabricated from solid material or in layers with inclusions placed in each layer at particular locations. The layers can vary in thickness and configuration (e.g., square, round, oblong, rectangular, etc.) to meet the geometry of an intended commercial application. The number of layers in a specific HG blanket is dependent on the total allowable thickness of the application as well as the frequencies of the resonances. Examples of varying shapes of HG blankets, either in layers or solids, include, e.g., circular, curved, rectangular, L section, box, etc. The number of layers in the HG blanket is determined by the application, thickness, weight, frequency and/or required number of masses to be inserted. The layers included in the HG blanket can be of uniform thickness or varying thickness as required by the tuning process. The masses can be inserted with a bonding agent or mechanically, whether in layered or solid material.

The HG blanket can be applied or affixed to a structure or device for vibration control by any suitable means including using mechanical clamps or screws, using glue or other adhesives, etc. Tuning can be accomplished in advance according to the techniques described above, or might be accomplished on sight via empirical methods such as by applying or affixing the HG blanket to the structure or device and then inserting masses (e.g., lead or metal weights; viscous inclusion bodies; etc.) into openings or slits at different locations and/or at different levels (closer to or farther from the device or structure) within the HG blanket.

EXAMPLE VI

FIGS. 22a and 22b show continuous or semi-continuous (e.g., segmented) thin mass layers 400 and 400' positioned in foam material 402. The foam material 402 can be monolithic (a thick single layer) or multilayered as described in detail above. The thin mass layers 400 and 400' can be any of a variety of different materials including metals, plastics, thin elastic masses, etc. The chief function of the thin mass layers is to span, for example, in the X-Y dimension the length and width of the foam material and to provide some stiffness thereto. Limp mass barriers which contain only a limp mass embedded in a foam have been used previously for absorbing low frequency acoustic signals and noise. However, the present invention dramatically improves such devices by the inclusion of a plurality of embedded masses 404 distributed in the X-Y plan and in the Z axis over the surface in the foam material 402. As discussed in detail above, the plurality of embedded masses 404 provide for adjusting the frequencies which can be damped by the devices shown in FIGS. 22a and 22b. This is due to the embedded masses acting in concert

18

with the continuous or semi-continuous mass layer 400 or 400' to damp vibrations (e.g., acoustic signals and noises). The drawing figures show the embedded masses 402 on opposite sides of the continuous or semi-continuous mass layer 400 or 400'; however, it should be understood that the embedded masses can be on a single side or on opposite sides. For the reasons discussed above, it will be understood that the limp mass barriers contemplated in FIGS. 22a and 22b will be considerably lighter than prior technology, as the present invention takes advantage of the damping attributable to the spring/mass relationship of the embedded masses 404 relative to the mass layer 400 or 400', and this allows for a far more lightweight continuous or semi-continuous mass layer 400 or 400'. Segmentation at space 405 allows the material shown in FIG. 22b to be bent to various configurations desired by the user or required by the application.

Materials, such as the blanket type devices shown in FIGS. 22a and 22b have the ability to be free standing or hanging, as opposed to being directly applied to a vibrating structure such as an aircraft fuselage. For example, a material shown in FIGS. 22a and 22b could be used to make a quiet or superior quite tent whereby sounds or noises generated inside or outside the tent are prevented from transmission through the material due to the limp mass layer 400 and 400' absorbing the vibratory energy, and then being damped by the embedded masses 404 in the manner described in detail above. Many other applications, such as placing the material inside a door of a car or other vehicle, positioning the materials inside a room (e.g., on a wall, hanging from a ceiling, etc.) for damping undesired sound waves, as well as many other applications are envisioned and would be well recognized by one of ordinary skill in the art.

EXAMPLE VII

Prototypes

Prototypes have been produced employing various shapes, weights, spacing, and depths for the masses (inclusions). Prototypes have been tested. Most of the testing used inclusions weighing 6-8 grams, increasing the total weight between 300 and 400 grams/16 ft² of material. Testing showed improved attenuation in all frequencies but particularly low frequencies and those above 1,000 Hz. Varying placement of inclusions of different size, placement and weight have shown the tuning to be realistic. Testing has been performed on HG blankets that contained inclusions of multiple sizes and weights, strategically placed to enhance acoustic performance in particular frequencies. Thus, the inclusions (masses) can be of uniform shape and weight placed randomly or in a pattern or of multiple shapes and weights placed randomly or in a pattern.

Purposes and uses of a HG blanket comprising a matrix of embedded masses have been shown to be one or more of: reducing structure-borne vibration, providing significantly increased transmission loss (TL) compared to matrix (acoustic) material alone, and reducing reverberation. The inclusions enhance acoustic performance over typical unfilled absorbent materials without significantly increasing the total weight of the material. Comparative testing has verified that the materials bonded together but without inclusions does not give the enhanced performance of identical materials bonded together with inclusions.

EXAMPLE VIII

Standard materials are used for thermally and acoustically insulating interior and exterior walls, floors, and ceilings in

private, industrial, and commercial buildings. Acoustic and vibration control performance can be enhanced in these and other applications using the HG Blanket technology. FIGS. 23 and 24 show an embodiment of the invention where the HG Blanket 500 or 502 is distributed between studs 504 and 506 of a wall or a ceiling system, respectively. In FIG. 23, the HG Blanket 500 is positioned between, for example, sheet rock walls 508 and 510. Other arrangements could be where sheet steel, wood, concrete or metal is used in place of sheet rock, as may be used in factories, garages, warehouses, etc. In fact, any construction where a single or double wall with an associated internal cavity can utilize the HG Blanket technology. In FIG. 24, the HG Blanket 502 is positioned above, for example, sheet rock 512. Other ceiling applications include areas above acoustic tile and grid systems.

Two exemplary types of HG blanket systems may be used in the wall or ceiling or related applications. In the first type, the acoustic or thermal material is an extended material with some internal supporting structure. The masses are embedded into the acoustic or thermal material to create an HG Blanket. The HG material is cut to the right size for the size of the cavities and spaced in the walls, floors, or ceilings (including ceiling grid systems). In the second type of HG blanket system, the acoustic/thermal material is loose and blown into the cavities of the walls, floors, or on top of the ceilings. Preferably, the masses are added to the acoustic/thermal materials before they are blown into the cavities. This allows the masses to be distributed throughout the blown in acoustic/thermal materials. In this application (or other applications), it may be advantageous to have the masses have random shapes and/or have rough and sticky surfaces to facilitate having them distributed through the material and not fall to the bottom. In some applications, the HG material with the masses may be blown into a bag, case or other type of container for installation purposes.

In this Example, the matrix material can be any material that can be used for thermal and acoustic insulation. Several different types of material are currently available commercially as thermal or acoustic insulation. The masses are distinct elements from the matrix material, and can be any size, shape, density, distribution, and can be made from a range of materials discussed above (e.g., metals, fibers, cellulose, polymers, gels, liquid, masses with solid skins and liquid interiors, etc.) Either and/or both the masses and/or matrix materials may be of homogenous or heterogenous composition.

In view of the above, and with reference to FIGS. 23-25, the HG Blanket 500 or 502 is preferably composed of acoustic or thermal insulation material 514 in which embedded masses 516 are distributed. The HG Blanket 500 or 502 can be fabricated during the production of, for example, rolls of thermal and/or acoustic insulation by depositing masses 516 into the insulation during or after formation of the rolls. The masses 516 can vary in size, weight, and shape. The masses 516 can be deposited at the same or different levels in the insulation material 514. FIG. 25 shows a specific application of the invention wherein acoustic or thermal insulation material 528 and masses 530 are blown into a wall system 532 using a blowing tube 534. Currently, insulation material 528 is routinely blown into wall systems for ease of installation. By adding masses 530, which can be of varying size, shape, and weight, to the insulation material 528 and blowing the insulation material 528 and masses 530 into the wall system 532 simultaneously, the masses 530 can be randomly distributed throughout the insulation material 528 within the wall system. The blown in, combined insulation material 528 with randomly distributed masses 530, would create in situ the HG

Blanket within the wall system 534. While FIGS. 23 through 25 contemplate use of the HG Blanket in housing or commercial buildings, these same concepts can be extended to use in the housings of machinery, cars, boats, planes, etc.

While the invention has been described in terms of its preferred embodiments, those skilled in the art will recognize that the invention can be practiced with modification within the spirit and scope of the appended claims.

Having thus described our invention, what we claim as new and desire to secure by Letters Patent is as follows:

1. Material for use in vibration or acoustic application, comprising:

loose acoustic or thermal insulation material; and
a plurality of discrete masses distributed within said loose acoustic or thermal insulation material, or which are combined and distributed within said loose acoustic or thermal insulation material during a blowing operation, said discrete masses being distinct elements from the loose acoustic or thermal insulation material and being spaced apart from each other, said discrete masses including surfaces which are sticky to facilitate distribution of the discrete masses throughout the loose acoustic or thermal insulation material and to prevent the discrete masses from falling to a bottom portion of said loose acoustic or thermal insulation material.

2. The material of claim 1 wherein said loose acoustic or thermal insulation material is selected from the group consisting of foam, acoustic fiberglass, fiberglass batting, distributed spring material, urethane, and rubber.

3. The material of claim 1 wherein said plurality of discrete masses include masses of different sizes and shapes.

4. The material of claim 1 wherein said plurality of discrete masses are selected from the group consisting of metals, ceramics, gels and plastics.

5. The material of claim 1 wherein said plurality of discrete masses are metal masses.

6. Material for use in vibration or acoustic application, comprising:

loose acoustic or thermal insulation material; and
a plurality of discrete masses distributed within said loose acoustic or thermal insulation material, or which are combined and distributed within said loose acoustic or thermal insulation material during a blowing operation, said discrete masses being a distinct element from the loose acoustic or thermal insulation material and being spaced apart from each other, said discrete masses being selected from the group consisting of metals, ceramics, and gels and said discrete masses each being of a homogenous composition, and having surfaces which are sticky.

7. The material of claim 6 wherein said plurality of discrete masses include masses of different sizes and shapes.

8. The material of claim 6 wherein said loose acoustic or thermal insulation material is selected from the group consisting of foam, acoustic fiberglass, fiberglass batting, distributed spring material, urethane, and rubber.

9. The material of claim 6 wherein said discrete masses are metal masses.

10. Material for use in vibration or acoustic application, comprising:

loose acoustic or thermal insulation material; and
a plurality of discrete metal masses distributed within said loose acoustic or thermal insulation material, or which are combined and distributed within said loose acoustic or thermal insulation material during a blowing operation, wherein said masses of said plurality of discrete masses have a weight ranging from 6-8 grams per mass,

21

and wherein said material having said loose acoustic or thermal insulation material with said plurality of discrete masses distributed therein has a weight of 300-400 grams/16 ft², and wherein said discrete masses each being of a homogenous composition, and having surfaces which are sticky. 5

11. The material of claim **10** wherein said plurality of discrete masses include masses of different sizes and shapes.

22

12. The material of claim **10** wherein said loose acoustic or thermal insulation material is selected from the group consisting of foam, acoustic fiberglass, fiberglass batting, distributed spring material, urethane, and rubber.

* * * * *