

# Household Linen Storage



Circular 956

August 1964

Agricultural Extension Service  
Virginia Polytechnic Institute  
Blacksburg, Virginia

# Household Linen Storage

Good storage adds to the living comfort in a home. Order and neatness seem to reduce stress and provide more peaceful surroundings. Clutter adds to confusion and strain. You can waste a lot of time when storage facilities are poor.

Every family has household textiles, such as sheets, towels and table cloths. Providing adequate storage space for these is good management. If you are planning to build a new house, be sure your house plan provides this type storage.

Your household textiles should be stored at or near the place of first use -- in kitchen, dining, bathroom and bedroom areas. Places of use are often near enough to each other that you can use one storage unit for two or more groups of items and still provide convenient storage. The hall near the bedrooms is generally a convenient place

for storing bedding.

This leaflet gives the information you might use in planning your storage. It reports the findings of a research study made to determine how storage units can be built.

Pictures for seven different storage units give you a choice of arrangements of storage facilities.

The illustrations show space requirements for both limited and liberal supplies of household textiles. Space to store limited supplies represents the least that you should allow. Storage units that provide for liberal supplies will meet the needs of most families.

Information is presented in the form of designed units, to suggest how you can fit space requirements into your house plans. All dimensions are for the usable space on shelves or in drawers. Add construction

allowances when the storage unit is designed.

Shelves for frequently used articles should be no higher than 68 inches from the floor.

Width depth, spacing and number of shelves are inter-related. Usually, a change in one dimension makes a change necessary in the others if the storage unit is to be adequate and its space used effectively.

The designs given here are actual photographs of the illustrations coming out of the study, "Space Standards for Home Planners, Storage for Household Textiles, Western Cooperative Series, Research Report No. 2, 1-1, U. S. Department of Agriculture and Institute of Home Economics cooperating. The material is being used in Mississippi with permission of those in charge of the study.

The units you have seen provide a place that:

A. fits the items being stored. Note that the space allowed just fits the size and number of items stored there. No space is wasted so no more items

can be stored in the space.

B. is at a convenient height. The frequently used linens are about waist level, the less used ones are higher or lower.

C. stores together things that are used together. Bathroom linens are stored together as are those used together in other rooms. This saves time when the articles are used.

D. stores linens so they can be easily seen. The items are in separate stacks in easy view. You can find things easier and quicker if you can see them.

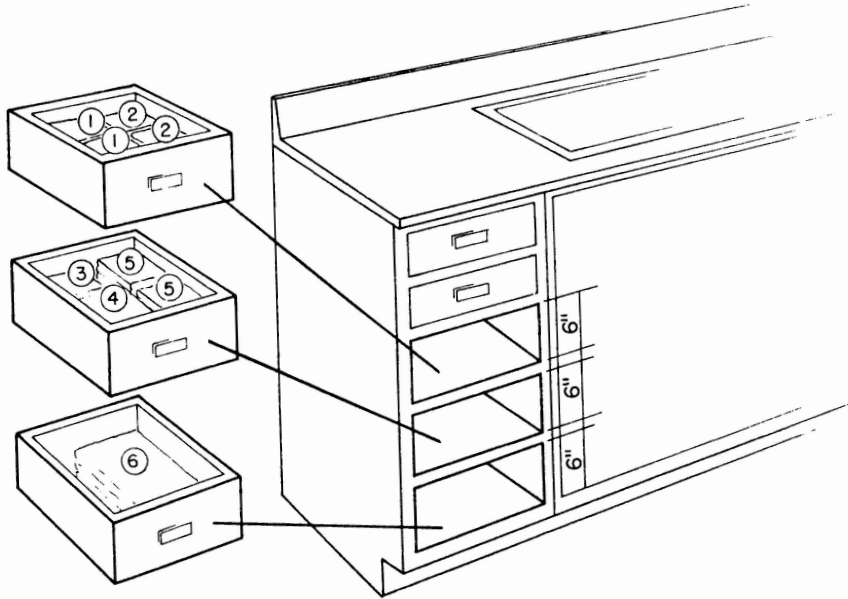
E. stores these household textiles so they can be easily reached and grasped. The drawers and pull-out shelves make the contents easy to reach and grasp, as do the stacks.

You will have to be sure that these storage units are placed in your house plan so the textiles will be near the first point of use. Kitchen or bathroom linens are less convenient if stored in a hall than in these rooms.

# Kitchen Linen Storage

For liberal and limited supplies

3 drawers 16" wide, 20" deep



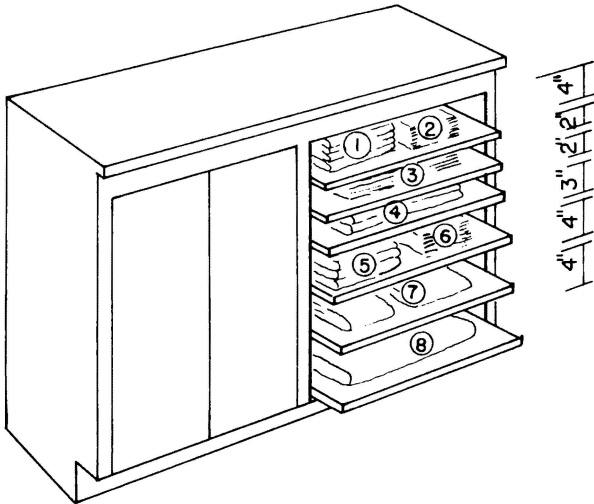
## SUPPLIES

1. 14 Dishtowels
2. 12 Dishcloths
3. 8 Potholders
4. 8 Dishtowels
5. 10 Handtowels
6. 6 Aprons

# Table Linen Storage

For liberal supplies

6 sliding shelves 16" deep, 22" wide

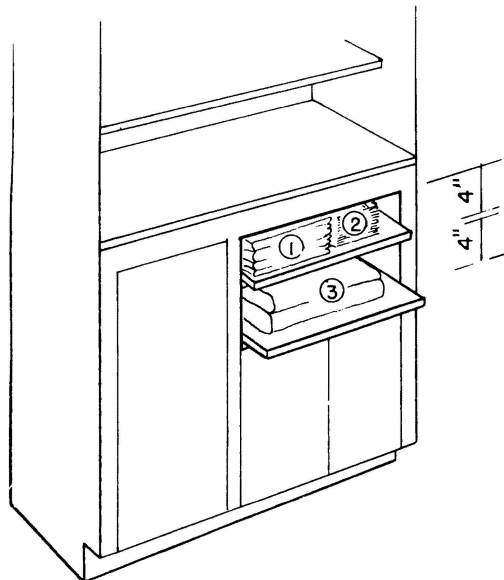


## SUPPLIES

1. 4 Tablecloths
2. 12 Napkins (2 piles of 6)
3. 6 Place mats
4. 2 Tablecloths
5. 3 Tablecloths
6. 12 Napkins (2 piles of 6)
7. 2 Tablecloths
8. 1 Table pad

For limited supplies

2 sliding shelves 16 or 20" deep, 26" wide



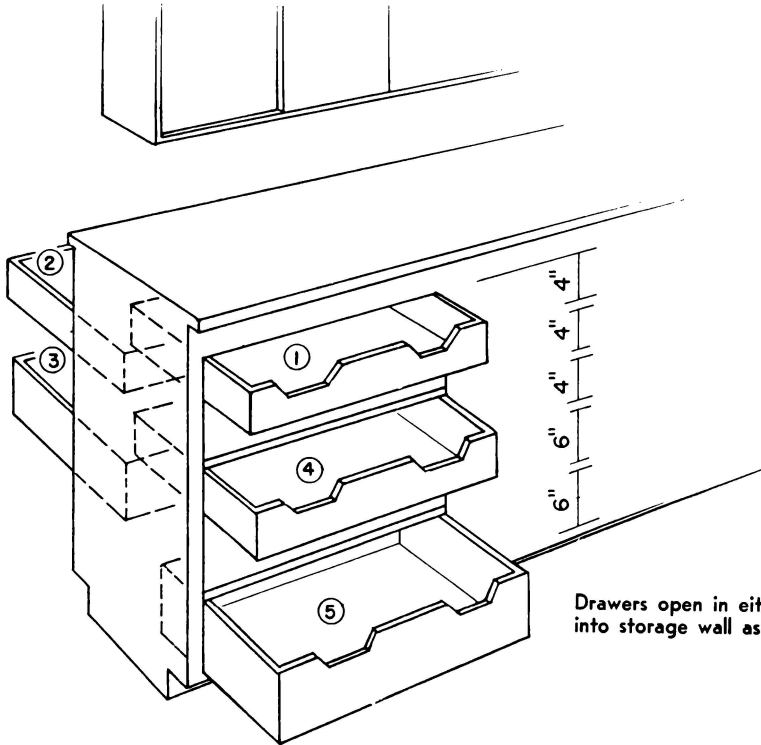
## SUPPLIES

1. 4 Tablecloths
2. 12 Napkins (2 piles of 6)
3. 2 Tablecloths

# Kitchen and Table Linen Storage

For liberal supplies

5 drawers 20" deep, 28" wide



## SUPPLIES

1. 6 Place mats  
7 Tablecloths
2. 4 Tablecloths
3. 24 Napkins  
1 Table pad
4. 22 Dishcloths  
12 Dishcloths  
8 Potholders
5. 6 Aprons  
10 Handtowels

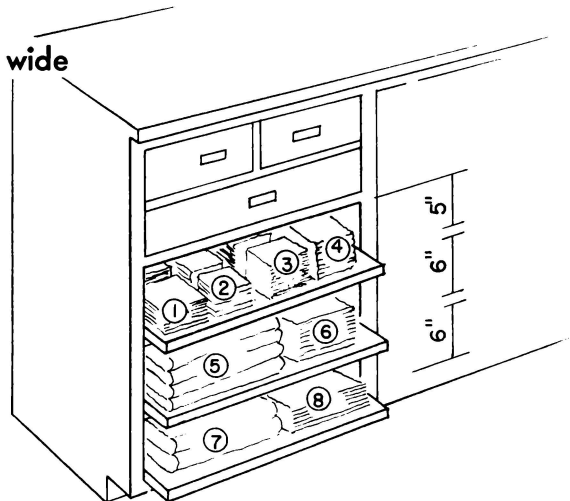
Drawers open in either direction if unit is built into storage wall as shown.

For limited supplies

3 sliding shelves 20" deep, 26" wide

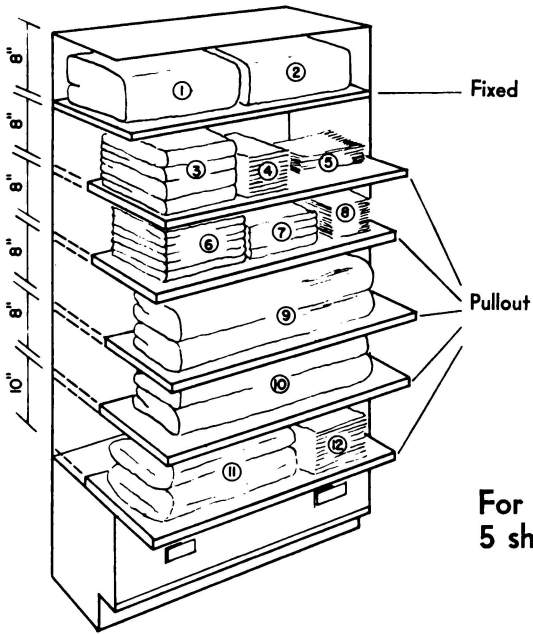
## SUPPLIES

1. 12 Napkins (2 piles of 6)
2. 8 Potholders
3. 12 Dishcloths (2 piles of 6)
4. 10 Handtowels (2 piles of 5)
5. 4 Tablecloths
6. 14 Dishcloths (2 piles of 7)
7. 2 Tablecloths
8. 6 Aprons



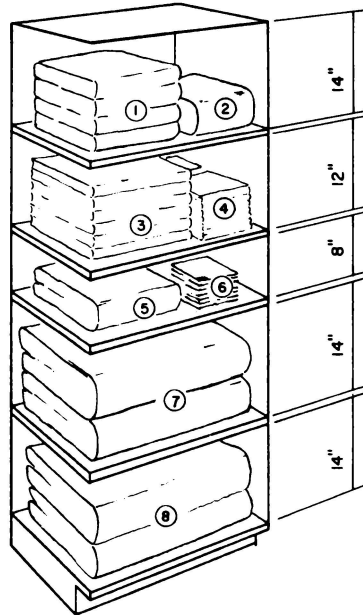
# Bedding Storage

For liberal supplies  
6 shelves 20" deep, 38" wide



SUPPLIES		
Liberal		Limited
1.	1 Bedspread	5.
2.	1 Bedspread	2.
3.	4 Blanket sheets	1.
4.	3 prs. Pillowcases	4.
5.	6 Dresser scarves	6.
6.	6 Sheets	3.
7.	4 Sheets	0.
8.	7 prs. Pillowcases	4.
9.	2 Blankets	7.
10.	2 Blankets	8.
11.	2 Pillows	0.
12.	6 Dresser scarves	0.

For limited supplies  
5 shelves 20" deep, 26" wide

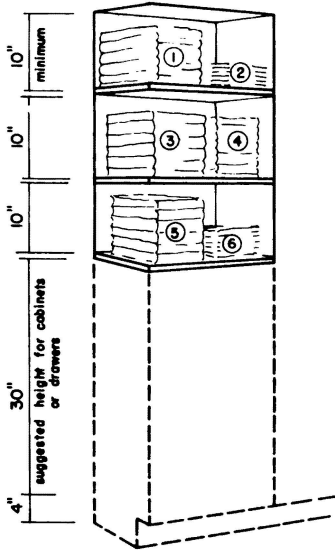


**Note:**  
These storage units provide space for only 4 of the total supply of blankets, comforters, and quilts. Less accessible space 24" x 24" x 33" is needed for the remainder of warm bed coverings.

# Bath Linen Storage

For liberal supplies

3 shelves 16" deep, 18" wide



## SUPPLIES

Liberal	Limited
1. 6 Bathtowels	*
2. 6 Washcloths	*
3. 8 Handtowels	3.
4. 6 Bathtowels	4.
5. 6 Bathtowels	5.
6. 12 Washcloths (2 piles of 6)	6.

\* For limited supplies use only 2 lower shelves.

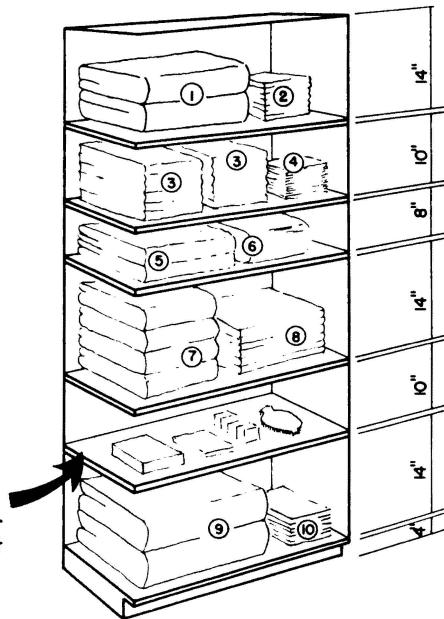
# Bedding and Bath Linen Storage

For limited supplies

5 shelves 20" deep, 32" wide

## SUPPLIES

1. 2 Blankets
2. 7 prs. Pillowcases
3. 6 Bathtowels
4. 12 Washcloths
5. 2 Bedspreads
6. 1 Bedspread
7. 4 Blanket sheets
8. 6 Sheets
9. 2 Blankets
10. 6 Dresser scarves

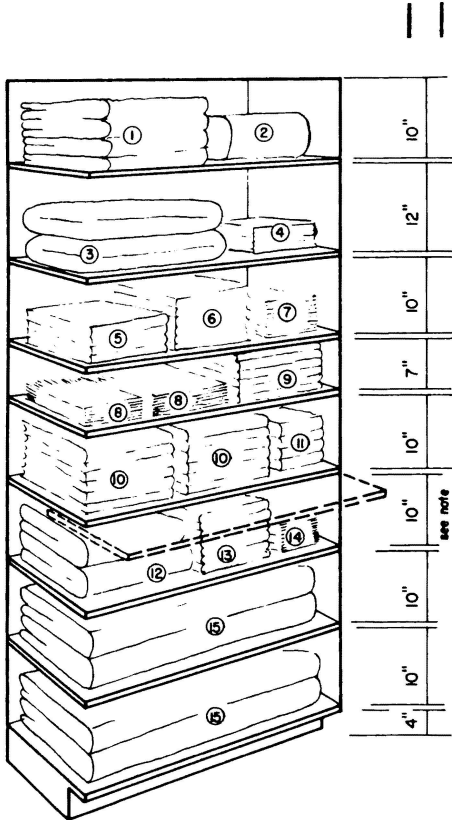


Use this space for hot water bottles, heating pads, first aid equipment, etc.



# Bedding and Bath Linen Storage

For liberal supplies  
8 shelves 20" deep, 38" wide



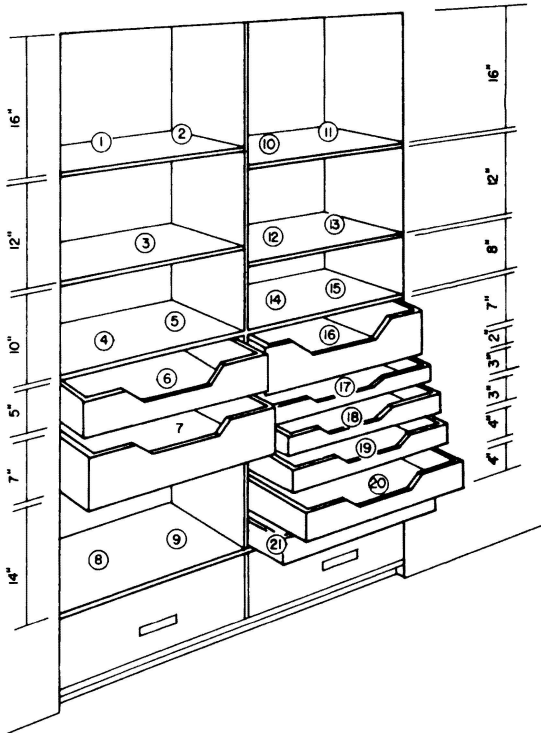
Note: 12" if pull out work shelf is added.

## SUPPLIES

1. 4 Blanket sheets
2. 1 Bedspread
3. 2 Pillows
4. 3 prs. Pillowcases
5. 4 Sheets
6. 6 Sheets
7. 4 prs. Pillowcases
8. 6 Dresser scarves
9. 6 Washcloths
10. 6 Bathtowels
11. 8 Handtowels
12. 2 Bedspreads
13. 6 Bathtowels
14. 12 Washcloths
15. 2 Blankets

# Central Linen Storage

Liberal supplies in central storage  
15 shelves and trays 16" deep, 28" wide



## SUPPLIES

1. 2 Blankets
2. 6 Washcloths (Guest use)
3. 2 Pillows
4. 12 Bathtowels
5. 12 Washcloths
6. 10 Kitchen handtowels  
12 Dishcloths  
4 Everyday tablecloths
7. 22 Dishtowels (in 3 piles)  
6 Aprons, 8 potholders
8. 4 Blanket sheets
9. 6 Bathtowels (Guest use)
10. 2 Blankets
11. 8 Handtowels (Guest use)
12. 6 Sheets
13. 2 Bedspreads
14. 7 prs. Pillowcases
15. 1 Bedspread
16. 4 Sheets, 12 Napkins
17. 6 Place mats
18. 3 Tablecloths, 12 Napkins
19. 2 Tablecloths, 6 Dresser scarves
20. 2 Tablecloths, 6 Dresser scarves
21. 1 Table pad

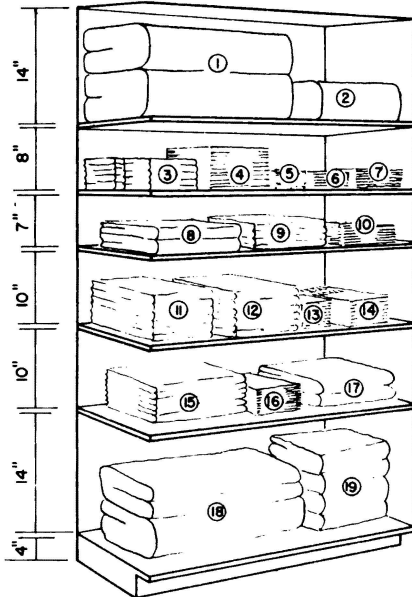
**Note:** These storage units provide space for only 4 of the total supply of blankets, comforters, and quilts. Less accessible space 24" x 24" x 33" is needed for the remainder of warm bed coverings.

If fixed shelves instead of trays are used:

- increase to 7" the between-shelf clearances of trays 2", 3", 4", and 5" deep.
- add 2" to height of trays 7" deep.

# Central Linen Storage

Limited supplies in central storage  
6 shelves 20" deep, 40" wide



## SUPPLIES

1. 2 Blankets
2. 1 Bedspread
3. 10 Kitchen handtowels
4. 14 Dishtowels
5. 12 Dishcloths
6. 8 Potholders
7. 6 Aprons
8. 2 Tablecloths
9. 4 Tablecloths
10. 12 Napkins
11. 6 Bathtowels
12. 6 Bathtowels
13. 12 Washcloths
14. 6 Dresser scarves
15. 6 Sheets
16. 7 prs. Pillowcases
17. 2 Bedspreads
18. 2 Blankets
19. 4 Blanket sheets

If drawers, trays, or sliding shelves are used,  
subtract 2" from each between-shelf spacing.

## Household Linen Storage Check Sheet

	<u>Yes</u>	<u>No</u>
Are you wasting space because shelves are too far apart?.....	_____	_____
Do you try to store your linens as near first point of use as possible?.....	_____	_____
Have you provided enough storage space for all your household linens?.....	_____	_____
Do you store linens within comfortable reach--not too high or too low?.....	_____	_____
Have you arranged storage to fit items, size as well as number?.....	_____	_____
Do you store things together that are used together?.....	_____	_____
Do you store all like items together?.....	_____	_____
Do you try to store linens so they can be easily seen?.....	_____	_____
Do you store them so you can easily reach and grasp them?.....	_____	_____
Is your linen storage neat and orderly, or cluttered?.....	_____	_____
Do you have to move other items in order to reach some of your linens?.....	_____	_____
Could you improve the storage of your linens?.....	_____	_____

Printed courtesy of Mississippi State University  
 By Frances Fortenberry, Equipment and  
 Housing Specialist, and Dorothy Clark, Former  
 Home Management Specialist

Issued in furtherance of cooperative extension work in agriculture and home economics, Acts of May 8 and June 30, 1914, in cooperation with the U. S. Department of Agriculture. W. H. Daughtrey, director, Agricultural Extension Service, Virginia Polytechnic Institute, Blacksburg, Virginia.

5M-7:64-2-4-HM