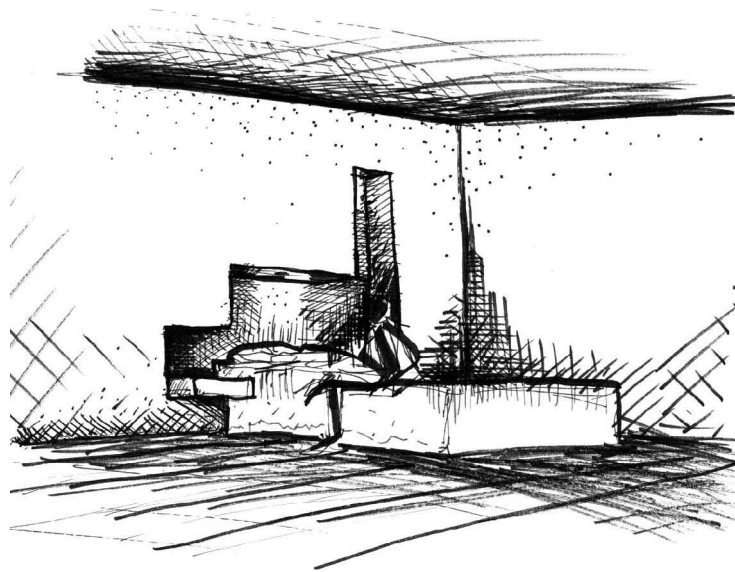
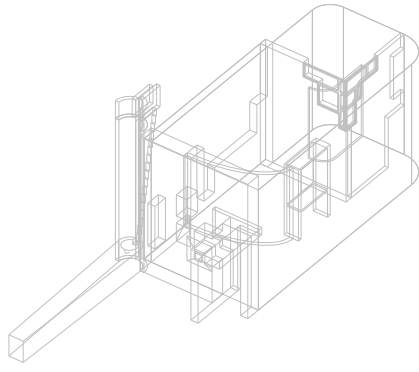


Mesquite planks cover the floor as a gesture of contextual respect. (Central Texans use mesquite as a flooring material due to its prevalence throughout the region.)

The transverse walls of the cabins are cast concrete with a board formwork finish; these include the façade wall, an elliptical wall, and one bathroom wall. The façade wall contains an array of expressionistic geometric voids as windows, such as pyramidal forms and light eclipsed by concrete projections of the door bracket. The elliptical wall sweeps into the space. It divides the living area from the sleeping area, terminating in a storage block accessible from the interior path and sleeping area. The bathroom wall has a unique pattern of board formed lines as a composition to be enjoyed from the sleeping area. Voids in its corner provide indirect light for the bathroom.



Longitudinal walls are composed of steel studs and plaster surfaces for a more delicate nature, as opposed to the brutal concrete transverse masses. They align the side walls of the cabin space and complete the bathroom. Voids in these walls reveal the concrete structure behind them creating a niche for the bed with overhead lights and a nightstand a place for the elliptical barrier to extend into the space. The drywall in the two rear corners sweeps around in a pair of arcs establishing a path into the bathroom and a bathing area.



mesquite flooring

window placements

concrete transverse masses:

facade wall

elliptical divider and storage

main bathroom wall

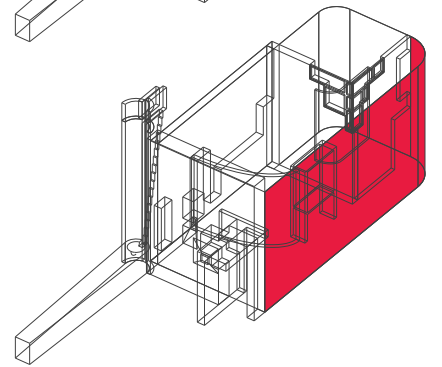
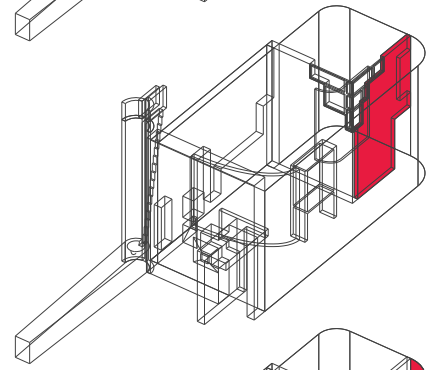
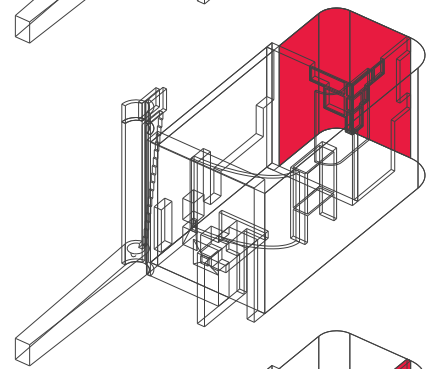
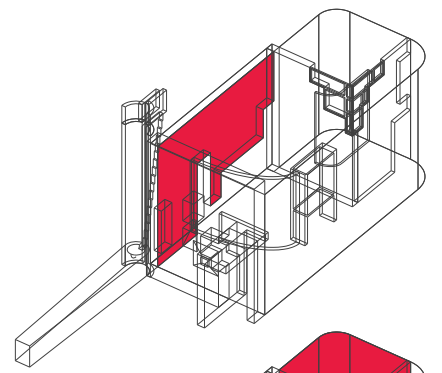
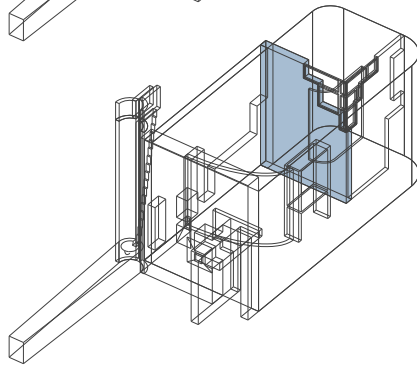
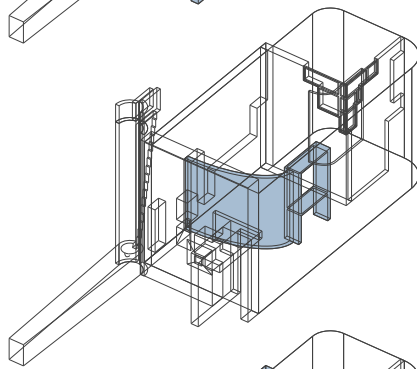
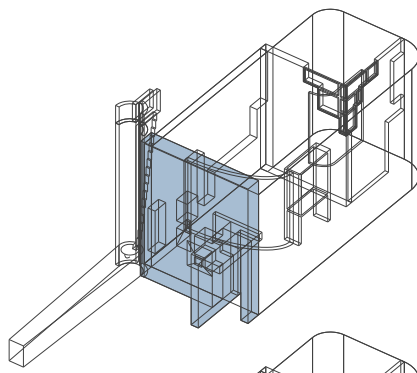
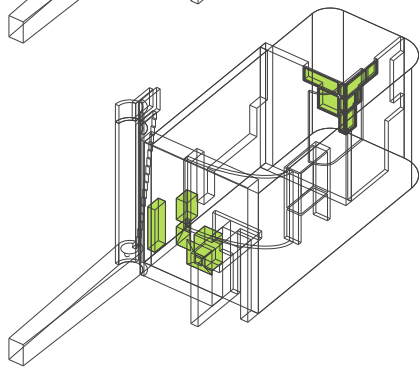
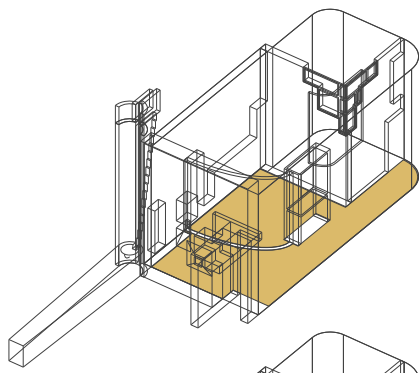
plaster surfaces:

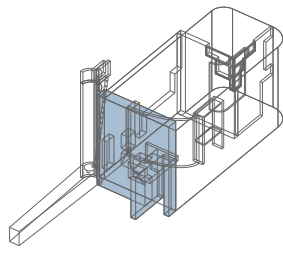
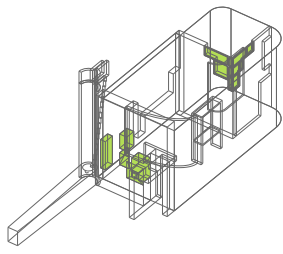
main living area and sleeping area wall

bathroom bracket wall

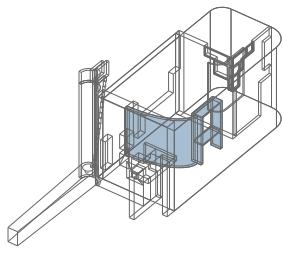
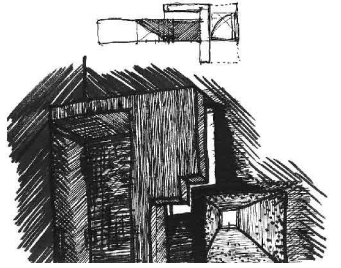
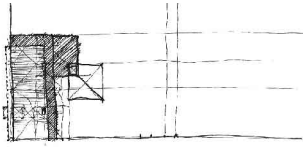
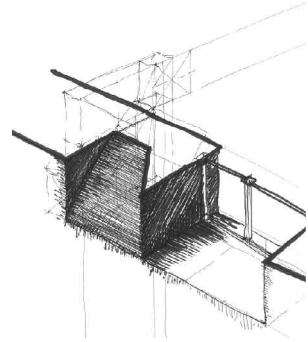
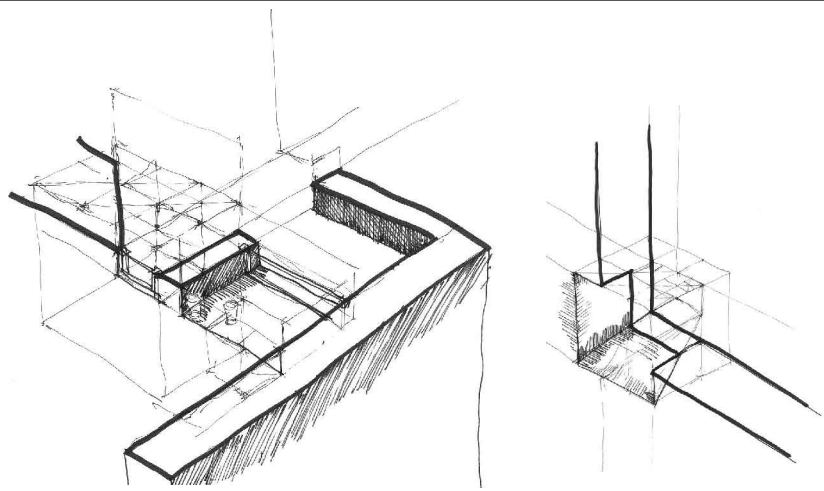
bathroom entrance wall

pathway wall

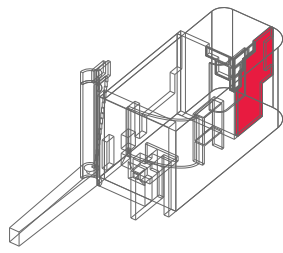
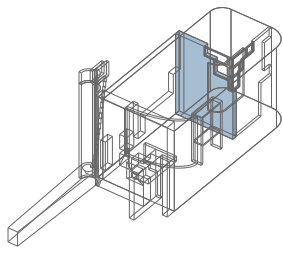
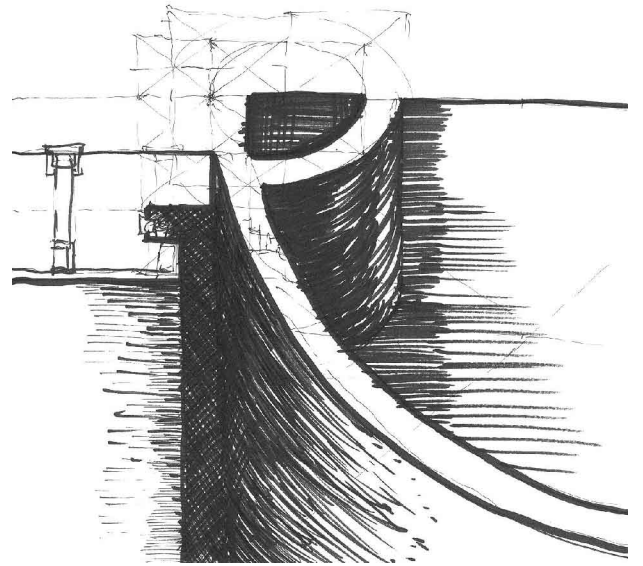
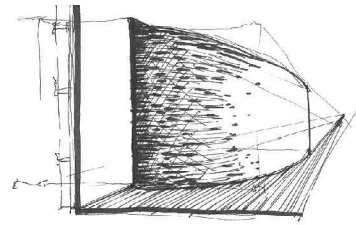




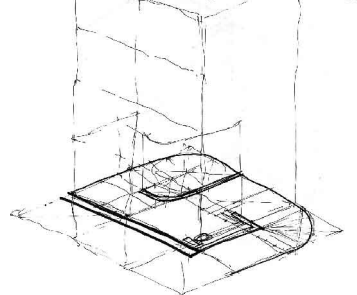
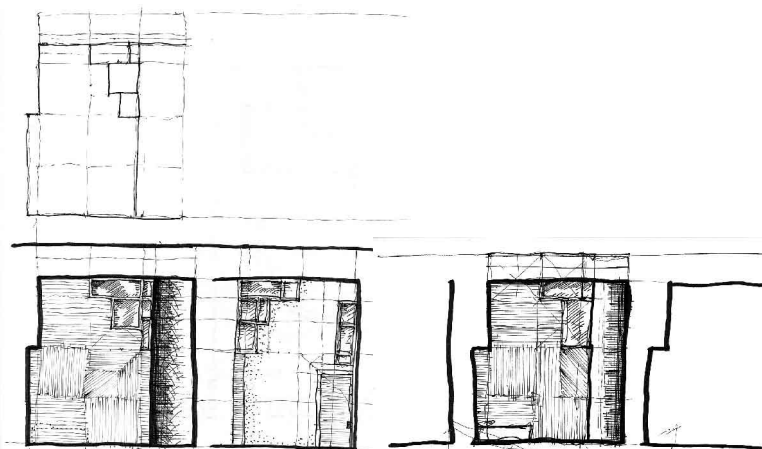
voids and folds in the concrete wall form windows and the portal



the elliptical barrier wall curves out from the "behind" the drywall to divide the space



the bathroom walls form the only inner intersection of drywall and concrete



intersections of plaster
and concrete

facade and living

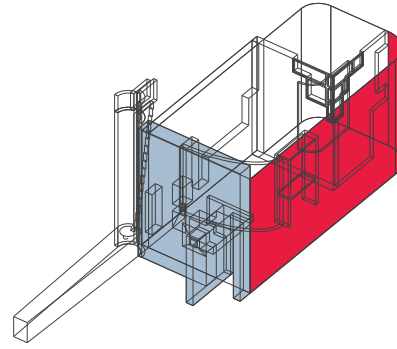
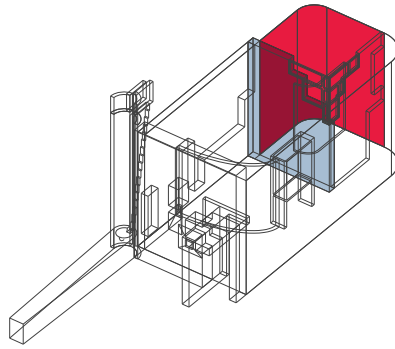
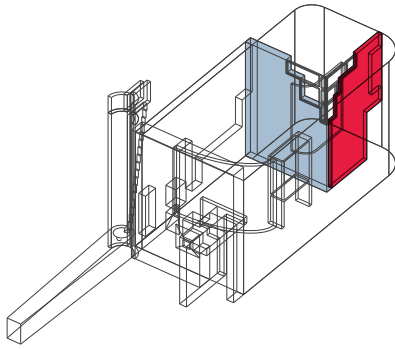
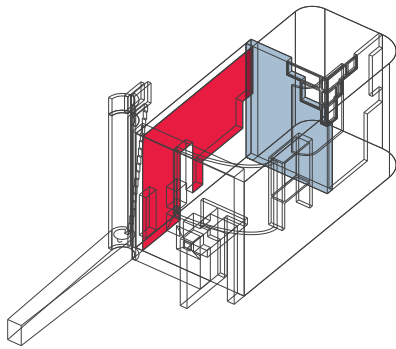
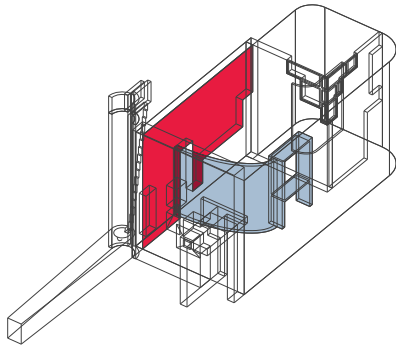
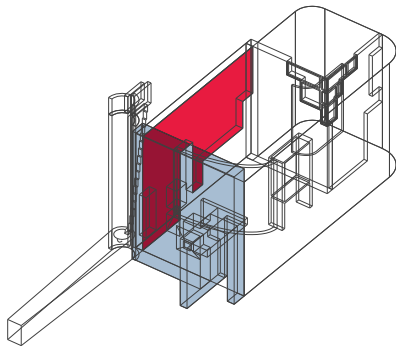
living and elliptical

sleeping and bathroom

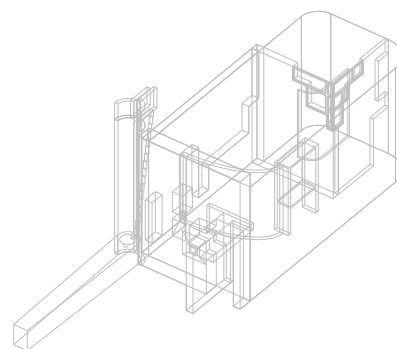
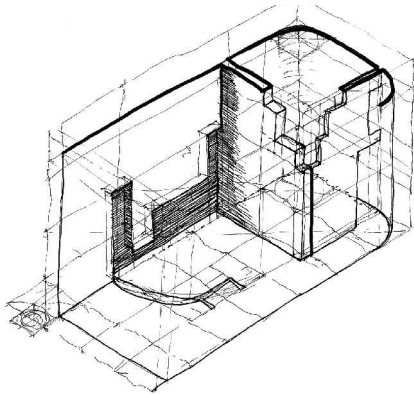
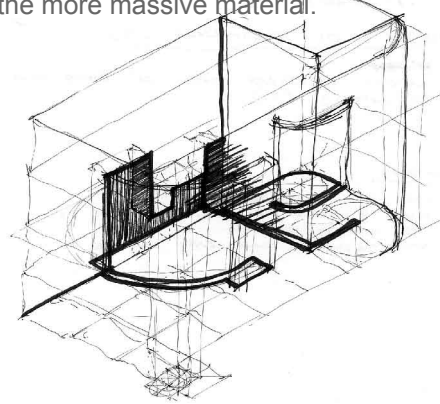
primary and secondary
bathroom

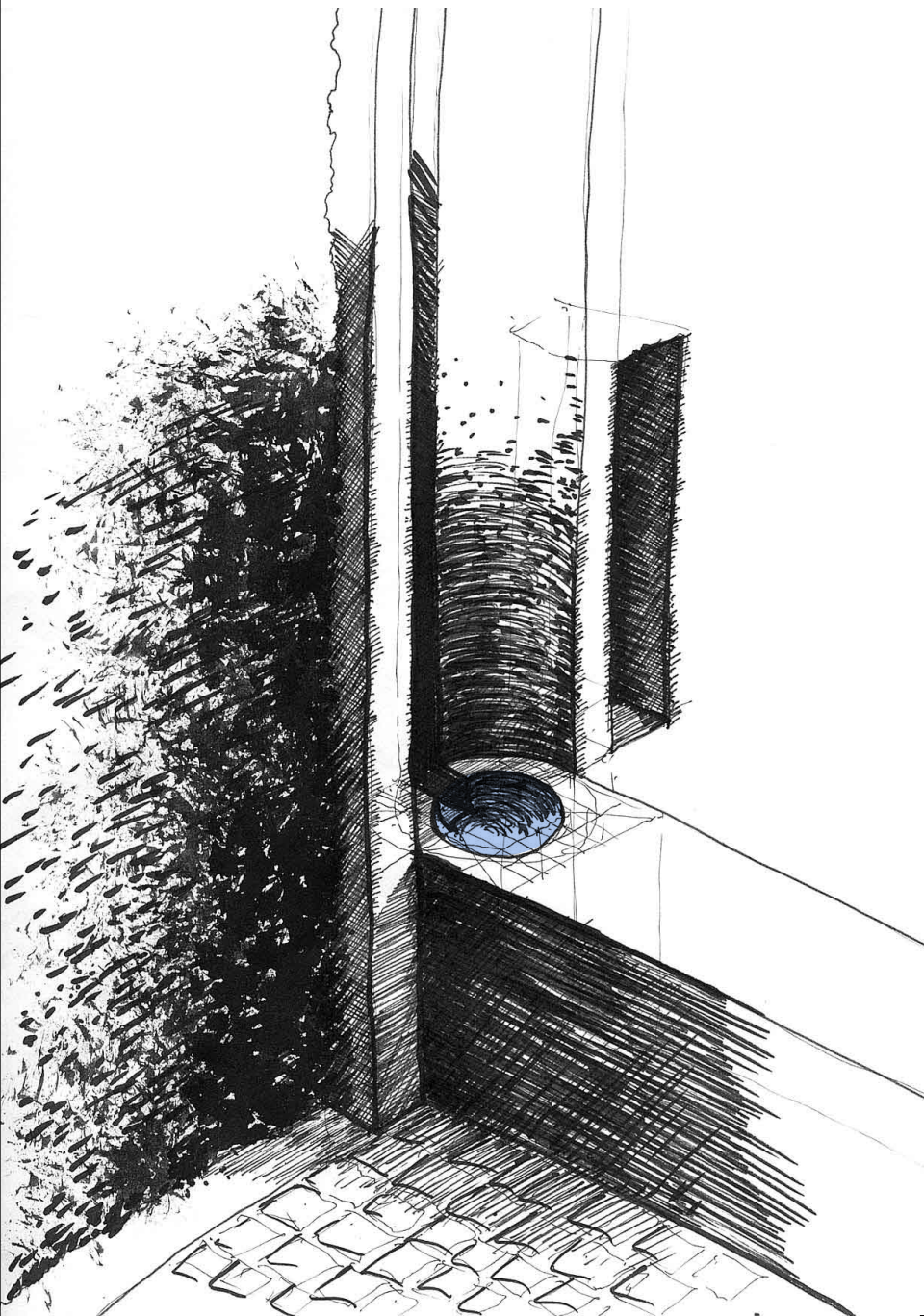
primary and tertiary
bathroom

pathway and facade

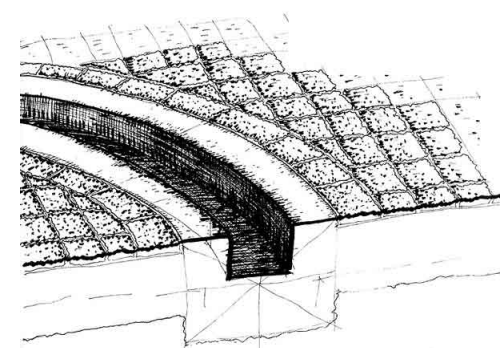


The intersections of concrete and plaster surfaces delineate the changes of space and shifting of program. The elliptical and main bathroom walls forcefully extend into the cabin dividing the dwelling between living, sleeping, and bathroom areas. The plaster is subordinate to the concrete. It peels back to allow the concrete to emerge, or it simply terminates when intersecting the more massive material.



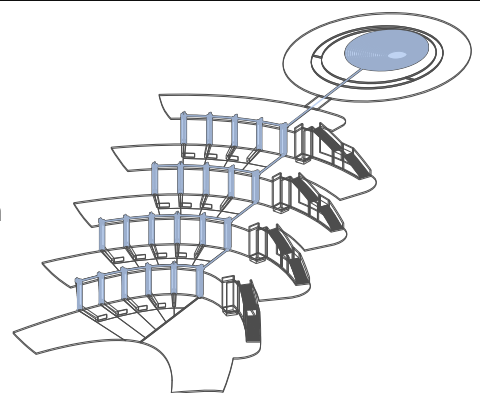


the composition of waterfall/joint, receptacle, window, plinth, and earth



the concrete "tributary" channels water from the axis to the cabins

Finally, the rooms must connect to the pool either experientially or architecturally to remind guests of the water at the top of the complex. Secondary concrete channels, with parallel courses of granite pavers serving as joints, disperse from the main axial water channel. These "tributaries" run parallel to the edge of the terrace and direct water into a receptacle directly to the left side of each cabin façade. The waterfall/vertical element and receptacle serve as a formal joint that links yet also separates two rooms. For the cabin at the end of each row, this element serves as a joint between built structure and the exposed escarpment.



A vertical window cast into the façade wall, adjacent to the receptacle, opens to provide natural ventilation. While open, one can hear the water trickling down the waterfall from inside the can. So, even inside, one can still feel the presence of the pool. A concrete plinth extends into terrace space from each receptacle. Each plinth has a wildflower planter cast into it and serves as a divider to create a semi-private "front porch" for each cabin.



the water passes through a concrete "half-pipe" down to the cabin below

this receptacle detail illustrates the relationship among the waterfall, the receptacle itself, and the adjacent cabin window

