

Safe Doors ● ● ● Improperly Hung Doors

Accidents caused by improperly hung doors can be painfully serious. A door that binds or sticks and fails to open readily or completely may result in collision injury to the victim. A door which becomes jammed in the closed position may cause an individual to fall backward as his hand slips off of the door knob in the act of pulling the door open. This unexpected situation creates an unbalanced posture which may exceed the individual's reflex capacity for a safe recovery.

Hazardous conditions created by improperly functioning doors may be avoided or substantially reduced by observing adequate quality control standards during fabrication and installation of the complete door unit. Factory assembled, pre-hung, hinged-door units ensure proper tolerances for clearances between door and door-jamb within a door frame that is perfectly aligned. The proper application of sealers, paint, or varnish to wood-door units will prevent excessive swelling during periods of high humidity, therefore minimizing the

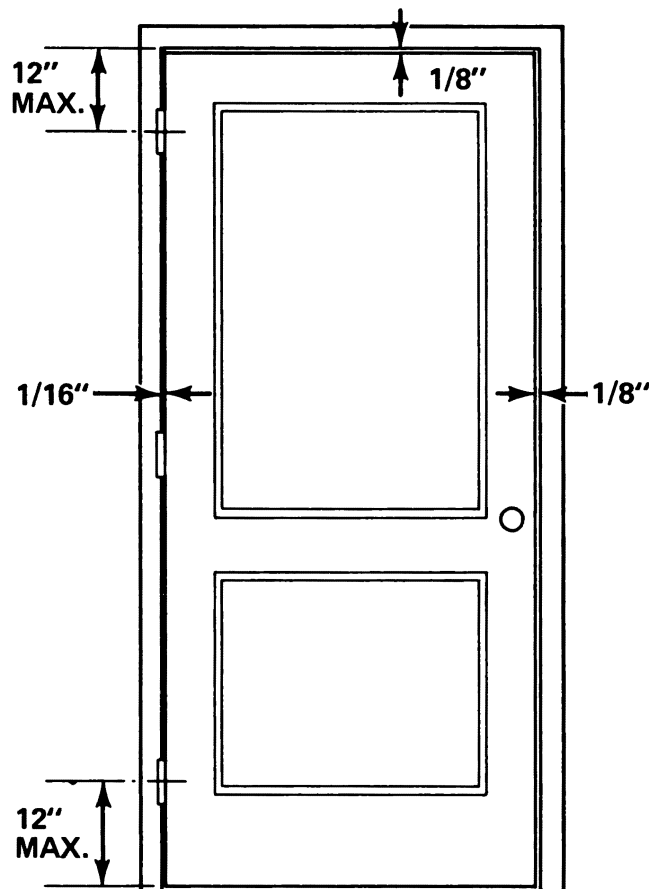
probability of the door sticking later. An aid for setting dimensions and tolerances in on-site door-unit construction may be found in Department of Commerce Specification PS32-70. V.P.I. & S.U. LIBRARY

RECOMMENDATIONS:

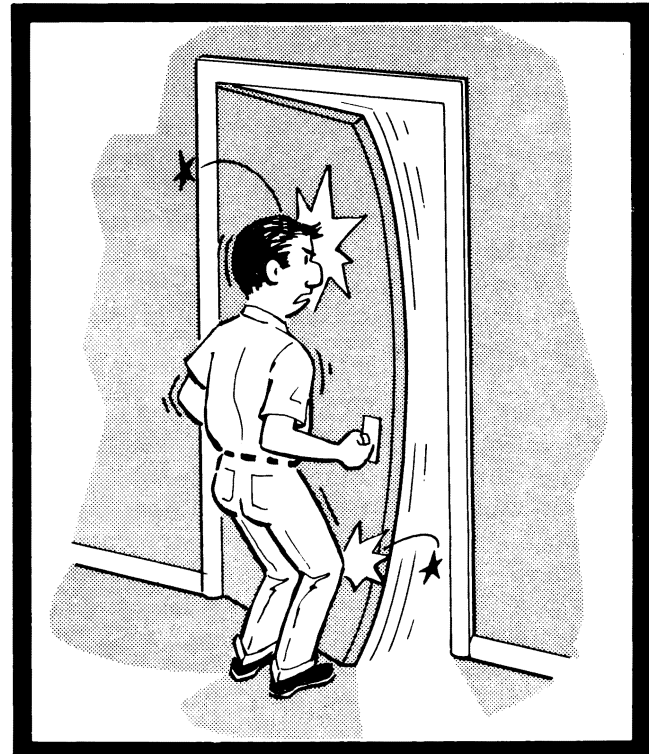
APR 21 1978

The probability of accidents caused by improperly hung doors may be reduced by application of the following recommended procedures:

- Use of factory built, pre-hung, hinged-door units is preferred.
- Department of Commerce Specification PS32-70 on dimensions and tolerances shall be observed in on-site construction of residential door units.
- Proper sealing, varnishing, and/or painting of all wood-door units shall be accomplished to avoid excessive swelling during periods of high humidity.



DOOR-MINIMUM CLEARANCES



Improperly hung doors which stick or jam can cause accidental collision injuries.

Before building, consult the BOCA code.

Extension Division • Virginia Polytechnic Institute and State University • MI-185 • March 1978

Prepared by Helen L. Wells, Housing Specialist

Originally prepared for the Office of Research and Technology, U.S. Department of Housing and Urban Development, "A Design Guide for Home Safety" HUD-RT-17 January 1972

Issued in furtherance of Cooperative Extension work, Acts of May 8 and June 30, 1914, in cooperation with the U.S. Department of Agriculture, W. R. Van Dresser, Dean, Extension Division, Cooperative Extension Service, Virginia Polytechnic Institute and State University, Blacksburg, Virginia 24061.

The Virginia Cooperative Extension Service by law and purpose is dedicated to serve all people on an equal and nondiscriminatory basis. An Equal Opportunity/Affirmative Action Employer