

# **Safe Bathrooms ●●● Accessories**

Bathroom accessories include soap dishes, grab bars, towel bars or rings, tissue dispensers, and hot and cold water controls for the tub, lavatory and shower. Any of these accessories that are improperly designed and installed can become safety hazards.

Because of carelessness and inattention on the part of the user, slips and falls will continue to occur in the safest of bathrooms. The convenient location of tub and shower controls and the installation of substantial grab bars will aid in the reduction of accidents associated with entering, exiting, and using these facilities.

Grab bars are available in many configurations; installation methods are nearly as numerous. Grab bars can be used to help maintain balance and ensure footing in assuming the normal standing, stooping, and sitting postures during the bathing process. These bars become useful additions to the overall safety of the bathroom. Grab bars (and towel racks which may also serve as grab bars)

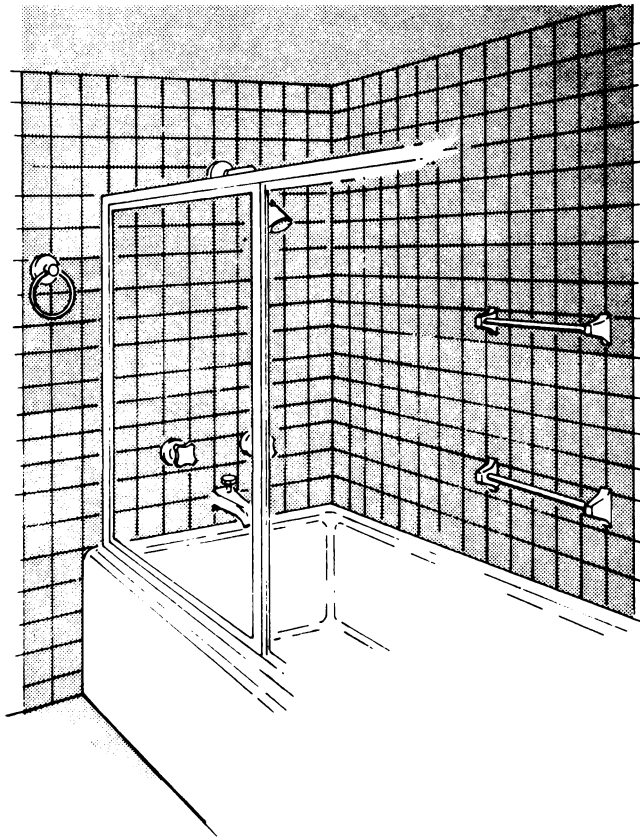
should be designed without pinch points, sharp edges, and pointed ends. The materials selected for use in the fabrication of grab bars and grab bar installation components should be shatterproof and should possess sufficient strength and durability to withstand their maximum intended use over the planned life of the dwelling. Combination soap-dish grab bars, if grouted into a ceramic tile wall, do not have sufficient strength and durability characteristics to provide adequate protection and support.

The materials selected for tub, lavatory, and shower controls, including shower heads, also require ample consideration of their inherent strength and durability characteristics. Accidents are recorded which were caused by the use of material in the fabrication of water faucet controls that gave way in normal use, inflicting severe cuts and lacerations to the user.

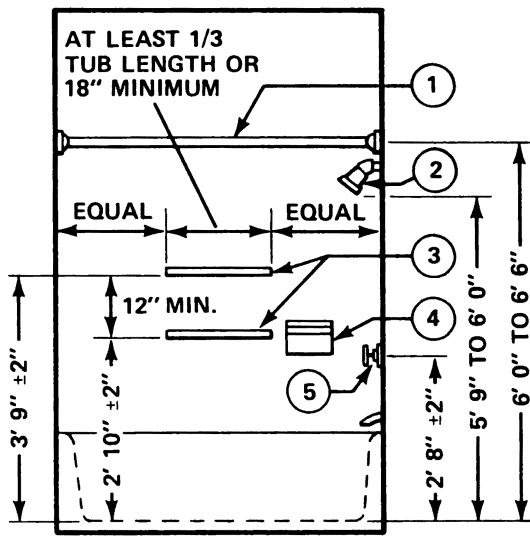
## **RECOMMENDATIONS:**

The following recommendations are presented for reducing accidents associated with bathroom accessories.

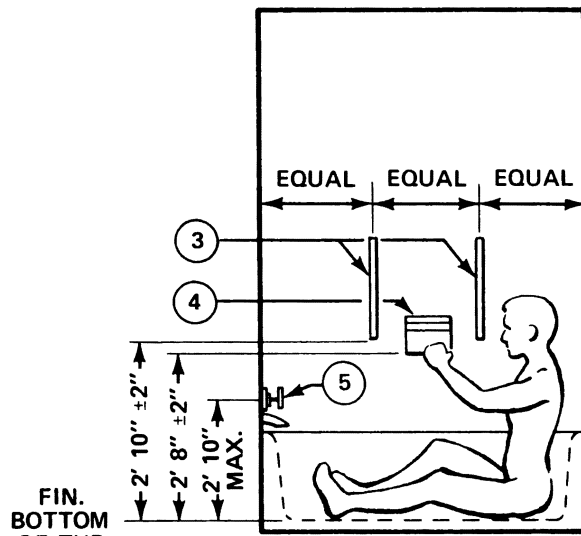
- Two grab bars shall be installed within the confines of each bathtub.
- At least one grab bar shall be installed in each shower stall.
- All grab bars shall withstand a 300-pound static load and have a minimum service life equal to the planned life of the structure.
- Grab bars shall be free of sharp edges, pinch points, and pointed ends and shall be constructed of materials which will not break or shatter in use.
- Any accessory or device within the bathtub or shower confines which might be used as a grab bar shall meet the above recommendations for static load and design configuration.
- Soap dishes in bathtubs and shower stalls shall be recessed into the wall.
- Faucet sets shall not have sharp edges or pinch points, and all parts shall be shatter-resistant material of durable quality.



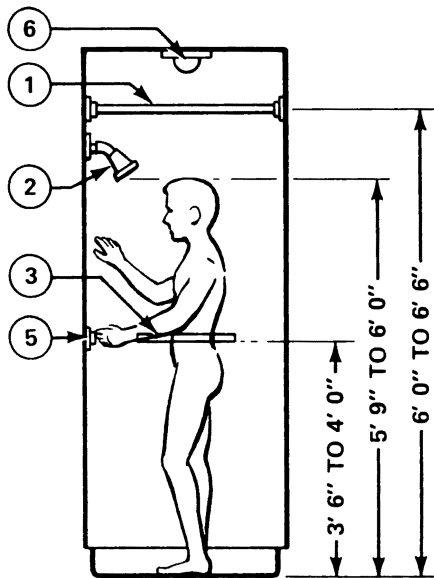
Properly designed, adequately positioned, and substantially installed assistance accessories can help reduce accidental bathroom injuries.



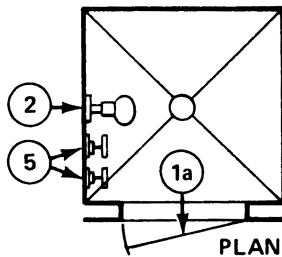
ELEVATION OF TUB W/SHOWER



ELEVATION OF TUB W/O SHOWER



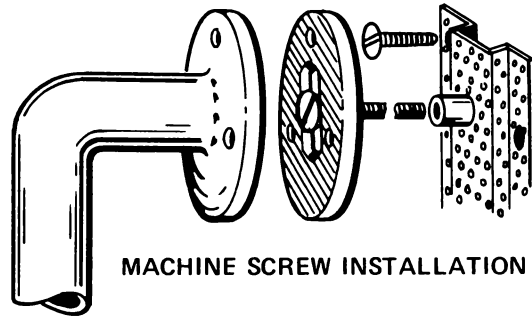
SECTION AT SHOWER



PLAN

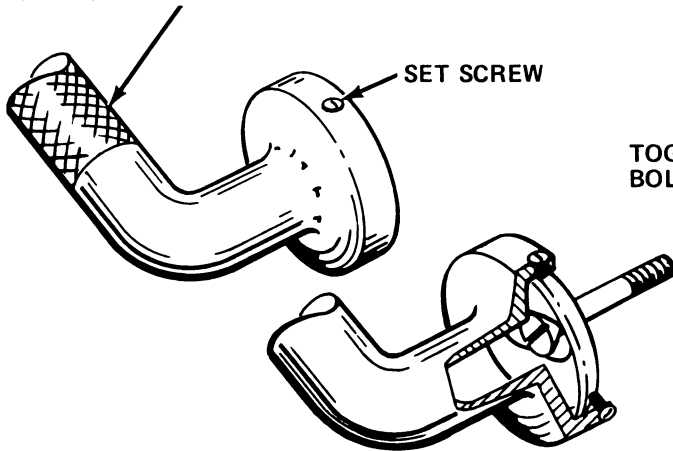
- ①. SHOWER CURTAIN ROD: KEEP WITHIN INSIDE OF TUB OR SHOWER.
- 1a. ENCLOSURE DOORS: IF SWINGING DOORS ARE USED, PLACE HINGES ON THE SIDE OPPOSITE CONTROL VALVES.
- ②. SHOWER HEAD: SEE ELEVATION OF TUB AND SHOWER STALL FOR RECOMMENDED HEIGHTS.
- ③. GRAB BARS SHALL BE MANUFACTURED OF SHATTER-RESISTANT MATERIAL, FREE FROM BURRS, SHARP EDGES AND PINCH POINTS. KNURLING OR SLIP-RESISTANT SURFACE IS DESIRABLE.
- ④. RECESSED SOAP DISH SHALL BE FREE FROM BURRS AND SHARP EDGES. WHERE GRAB BAR IS AN INTEGRAL PART OF THE SOAP DISH, IT MAY HAVE A MINIMUM LENGTH OF 6 INCHES.
- ⑤. FAUCET SHALL BE MANUFACTURED OF SHATTER-RESISTANT MATERIAL, FREE FROM BURRS AND SHARP EDGES. ALL FAUCET SETS IN SHOWERS, TUBS AND LAVATORIES SHALL BE EQUIPPED WITH A WATER-MIXING VALVE DELIVERING A MAXIMUM WATER TEMPERATURE OF  $110^{\circ} \pm 5^{\circ}\text{F}$ .
- ⑥. SHOWER STALL LIGHT: SHALL BE OF A VAPOR-PROOF FIXTURE WITH THE ELECTRICAL LIGHT SWITCH A MINIMUM OF 72 INCHES AWAY FROM SHOWER STALL.

**Bathroom Accessory and Control Placement**

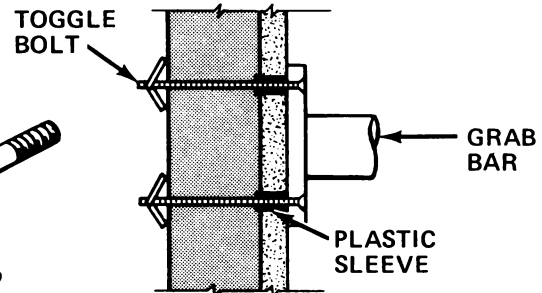


MACHINE SCREW INSTALLATION

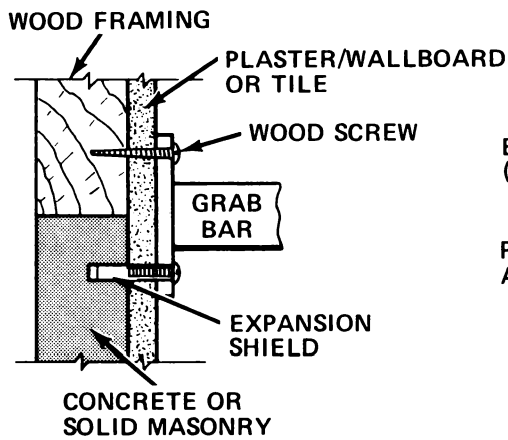
KNURLING OR SLIP-RESISTANT SURFACE IS DESIRABLE.



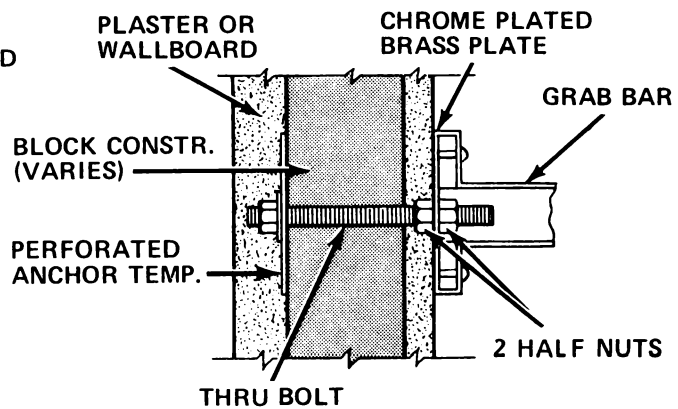
SET SCREW AND THRU-WALL ANCHOR INSTALLATION



TOGGLE BOLT INSTALLATION



WOOD SCREW OR EXPANSION SHIELD INSTALLATION



THRU-BOLT INSTALLATION

Typical Grab Bar Installations

Before building, consult the BOCA code.

Extension Division • Virginia Polytechnic Institute and State University • MI-164 • July 1976

Prepared by Helen L. Wells, Housing Specialist

Originally prepared for the Office of Research and Technology, U.S. Department of Housing and Urban Development,

"A Design Guide for Home Safety" HUD-RT-17 January 1972

Issued in furtherance of Cooperative Extension work, Acts of May 8 and June 30, 1914, in cooperation with the U.S. Department of Agriculture. W. E. Skelton, Dean, Extension Division, Cooperative Extension Service, Virginia Polytechnic Institute and State University, Blacksburg, Virginia 24061.

The Virginia Cooperative Extension Service by law and purpose is dedicated to serve all people on an equal and nondiscriminatory basis. An Equal Opportunity/Affirmative Action Employer