



US00D388198S

United States Patent [19]

[11] Patent Number: Des. 388,198

Weber

[45] Date of Patent: **Dec. 23, 1997

[54] FIBER OPTIC ACCENT LIGHT

OTHER PUBLICATIONS

[75] Inventor: Michael E. Weber, Blacksburg, Va.

Author—None (Advertisement). "Design Journal—The Monthly Journal of Design and Architecture", Sep. 1996, p. 20, vol. 9, No. 9, Publishers: John Moses & John Platter, Los Angeles, CA, USA.

[73] Assignee: Virginia Tech Intellectual Properties, Inc., Blacksburg, Va.

Primary Examiner—Susan J. Lucas
Attorney, Agent, or Firm—Joy L. Bryant

[**] Term: 14 Years

[21] Appl. No.: 65,001

[57] CLAIM

[22] Filed: Jan. 15, 1997

The ornamental design for a fiber optic accent light, as shown.

[51] LOC (6) Cl. 26-05

[52] U.S. Cl. D26/27; D26/64; D26/75

[58] Field of Search 362/147, 404-408,
362/432, 32, 269, 275, 287, 418, 419, 427;
D26/60, 62, 63, 65, 64, 66, 27, 75, 76,
77, 78

DESCRIPTION

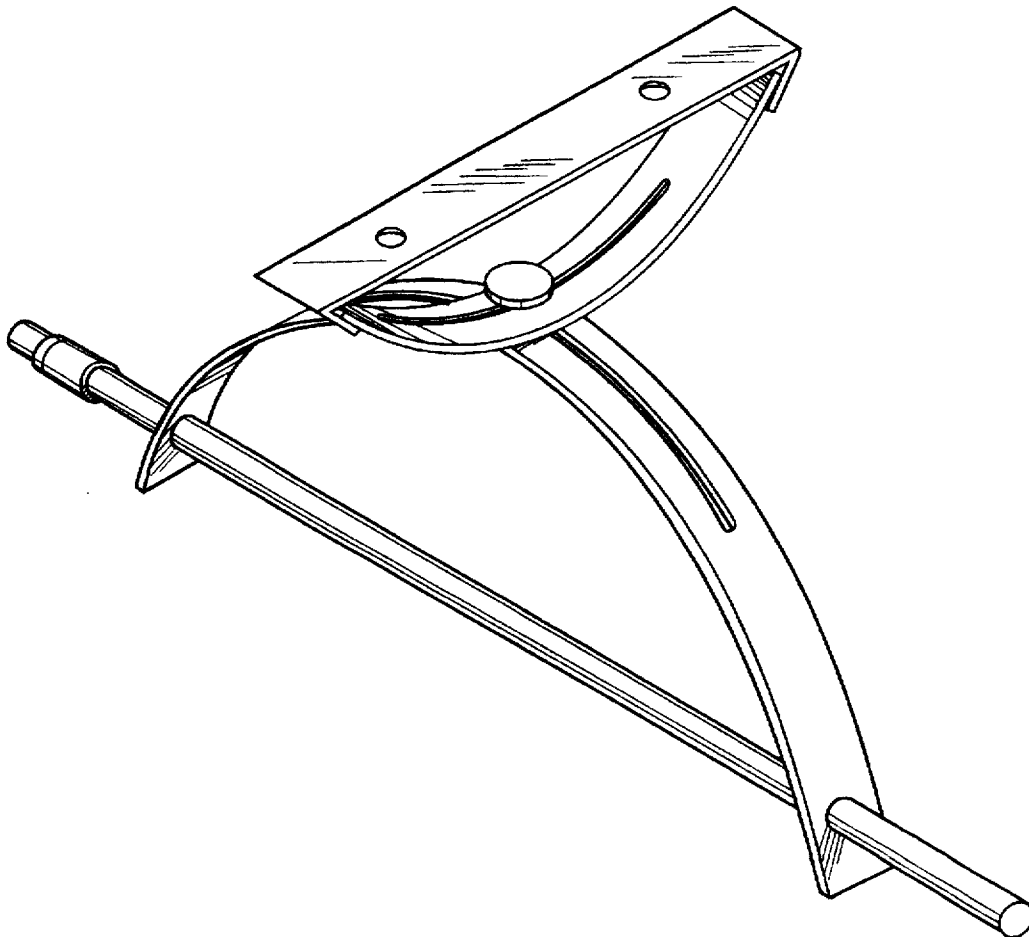
[56] References Cited

U.S. PATENT DOCUMENTS

D. 261,180	10/1981	Lagin	D26/66
4,819,138	4/1989	Polick	362/419
4,821,162	4/1989	Ellis	362/147 X
5,140,508	8/1992	Komonko	362/427 X

FIG. 1 is a perspective view of a fiber optic accent light showing my new design;
FIG. 2 is a bottom view thereof;
FIG. 3 is a top view thereof;
FIG. 4 is a left side view thereof;
FIG. 5 is a rear view thereof;
FIG. 6 is a right side view thereof; and
FIG. 7 is a front view thereof.

1 Claim, 3 Drawing Sheets



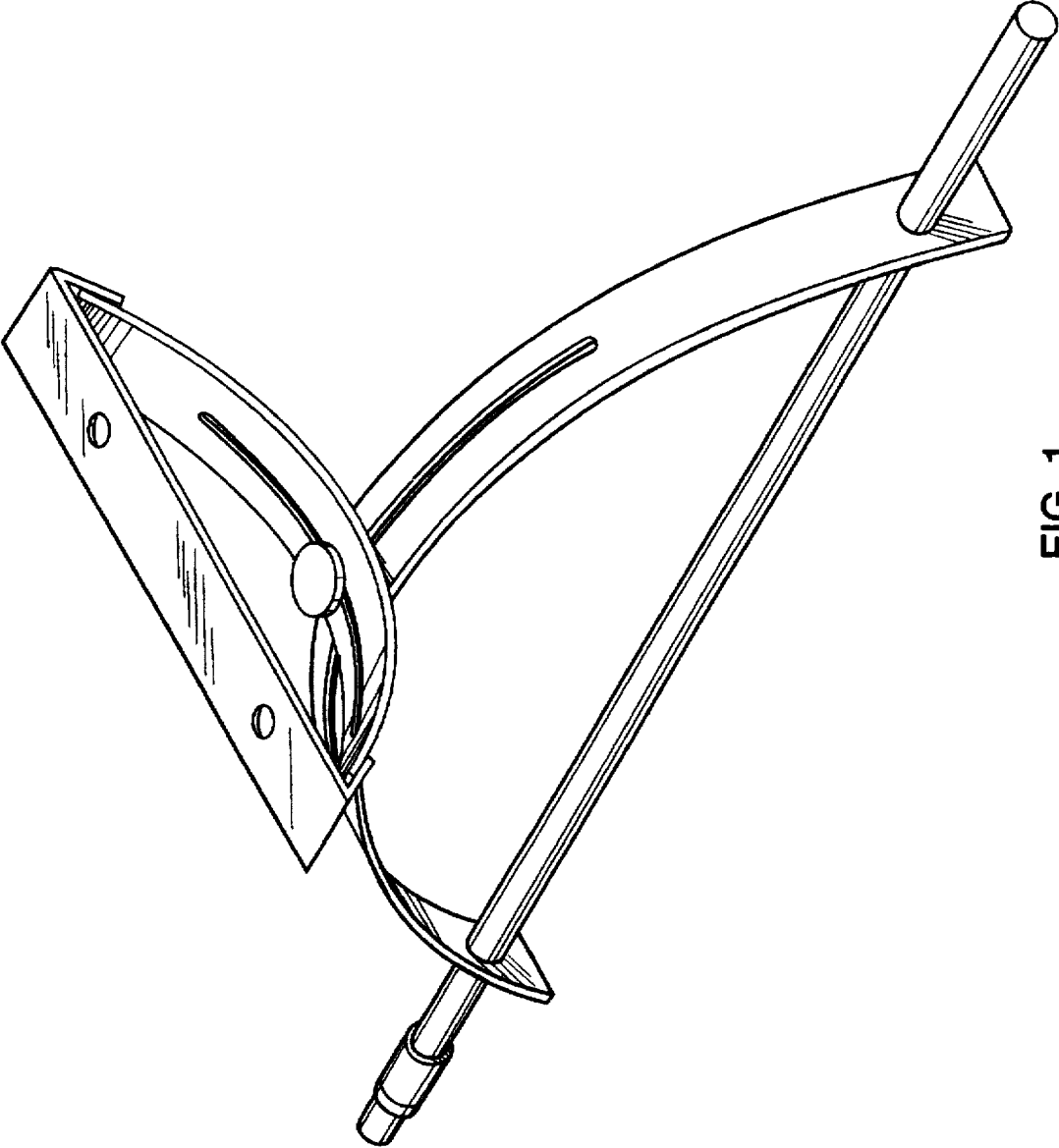


FIG. 1

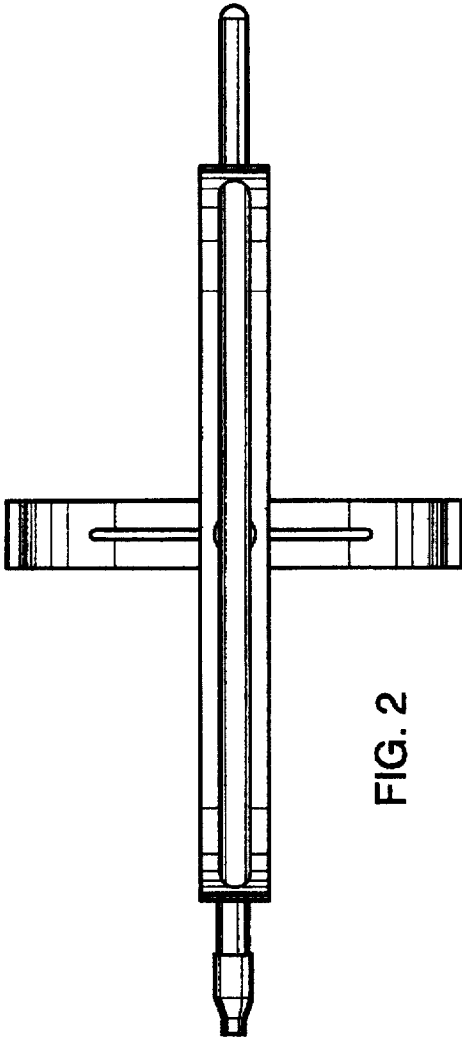


FIG. 2

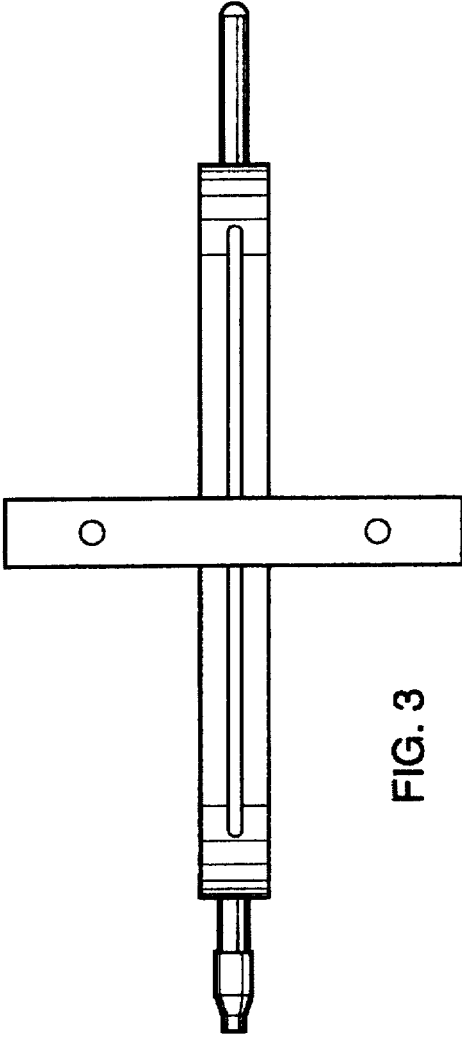


FIG. 3

