



US00D469605S

(12) **United States Design Patent** (10) **Patent No.:** **US D469,605 S**  
**Vernon et al.** (45) **Date of Patent:** **\*\* Feb. 4, 2003**

(54) **BOOK BAG**

(75) Inventors: **Mitzi R. Vernon**, Christiansburg, VA (US); **Tanya Blasko**, Blacksburg, VA (US)

(73) Assignee: **Virginia Tech Intellectual Properties, Inc.**, Blacksburg, VA (US)

(\*\*) Term: **14 Years**

(21) Appl. No.: **29/147,238**

(22) Filed: **Aug. 27, 2001**

(51) **LOC (7) Cl.** ..... **03-01**

(52) **U.S. Cl.** ..... **D3/287; D3/290**

(58) **Field of Search** ..... **D3/283, 273, 276, D3/285, 287, 288, 289, 284, 290; 190/100, 109, 110, 111, 112, 113**

(56) **References Cited**

**U.S. PATENT DOCUMENTS**

D318,951 S	*	8/1991	Stricklin	.....	D3/287
D354,849 S	*	1/1995	Herman et al.	.....	D3/216
D391,076 S	*	2/1998	Test	.....	D3/283
D399,057 S	*	10/1998	Akutsu	.....	D3/276
D401,063 S	*	11/1998	Yamamoto et al.	.....	D3/285
D415,347 S	*	10/1999	Imbert	.....	D3/276
D420,797 S	*	2/2000	Kofford	.....	D3/276

\* cited by examiner

*Primary Examiner*—Philip S. Hyder

(74) *Attorney, Agent, or Firm*—McGuire Woods LLP

(57) **CLAIM**

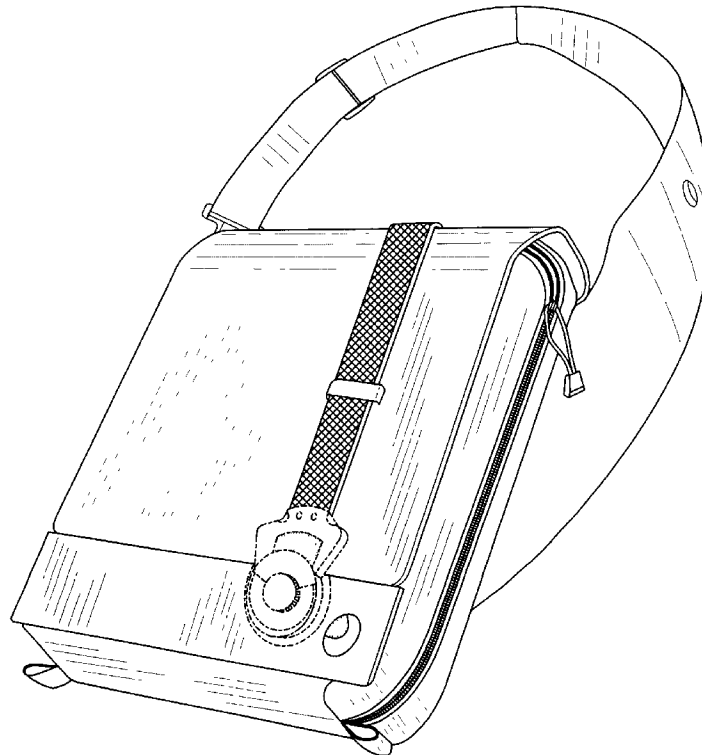
I claim the ornamental design for a book bag, as shown.

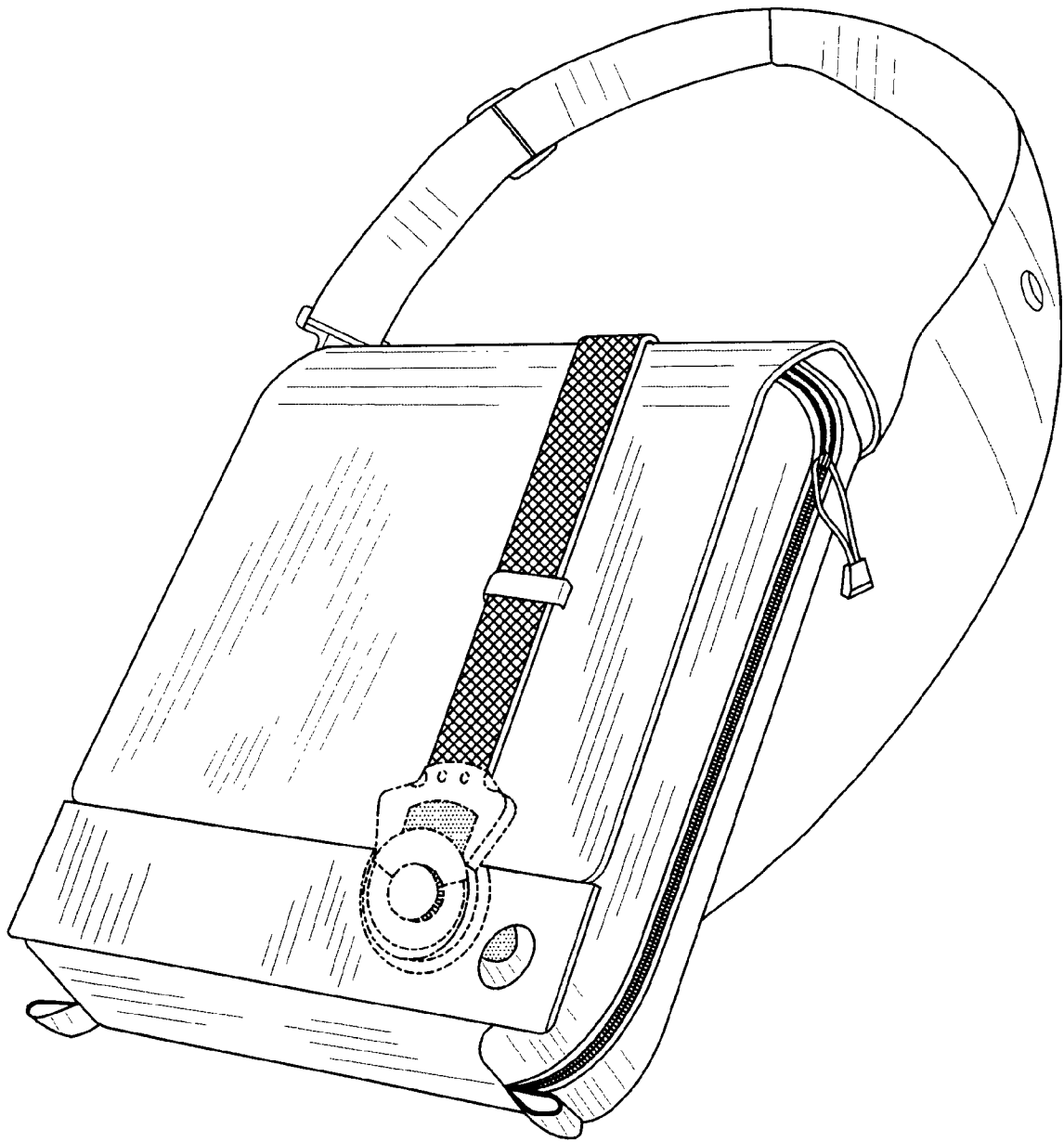
**DESCRIPTION**

FIG. 1 is a front perspective view of a book bag;  
 FIG. 2 is a front elevational view of the book bag;  
 FIG. 3 is a left side elevational view of the book bag;  
 FIG. 4 is a right side elevational view of the book bag;  
 FIG. 5 is a top plan view of the book bag without a strap shown;  
 FIG. 6 is a back elevation view of the book bag;  
 FIG. 7 is a lower plan view (bottom) of the book bag shown without the strap;  
 FIG. 8 is a front elevation view of the book bag in a first open state without the strap shown;  
 FIG. 9 is a front perspective view of the book bag in the second open state without the strap shown;  
 FIG. 10 is a front perspective view of the book bag in the second open state with removable pockets attached thereto; and,  
 FIG. 11 is a front perspective view of the book back in the second open state with the removable pockets removed therefrom.

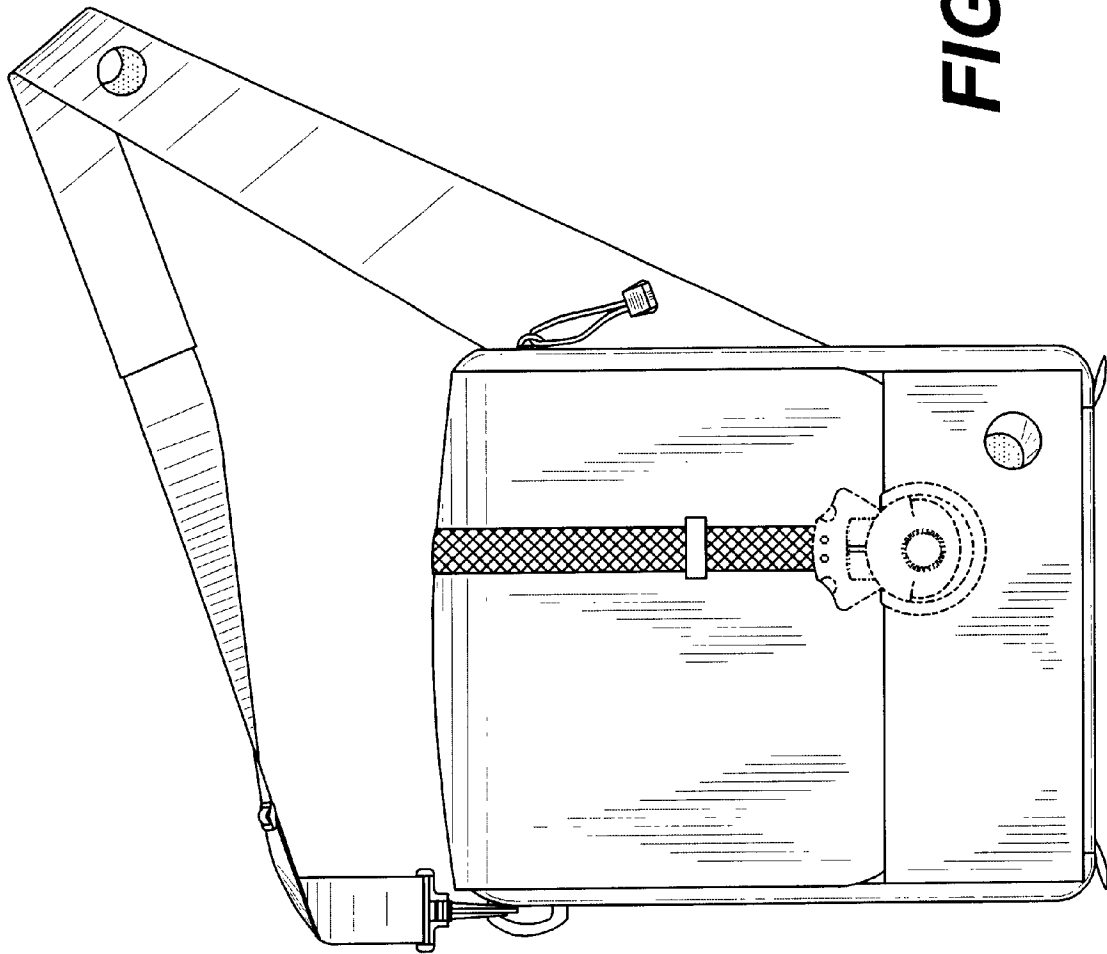
The broken lines showing the details of the circular latch in FIGS. 1, 2, 3, 4, 5, 7, 8 and the removable pocket in FIGS. 10, 11 are for illustrative purposes only and form no part of the claimed design.

**1 Claim, 9 Drawing Sheets**

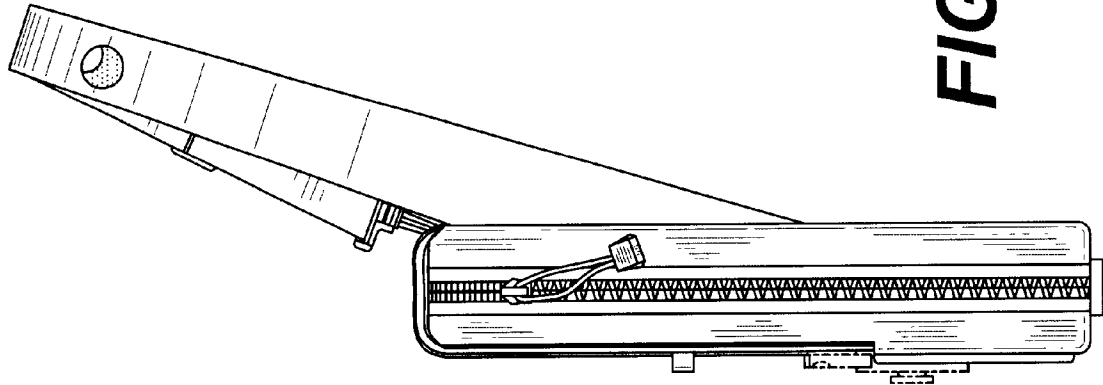




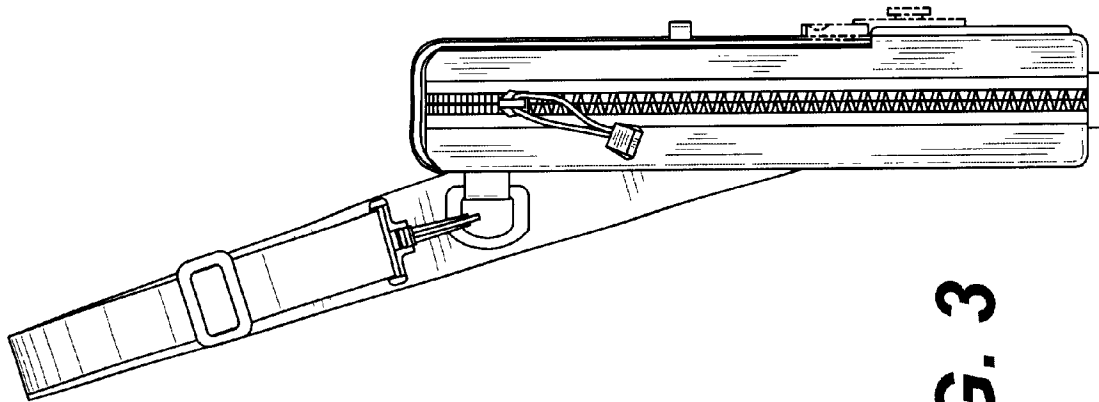
**FIG. 1**



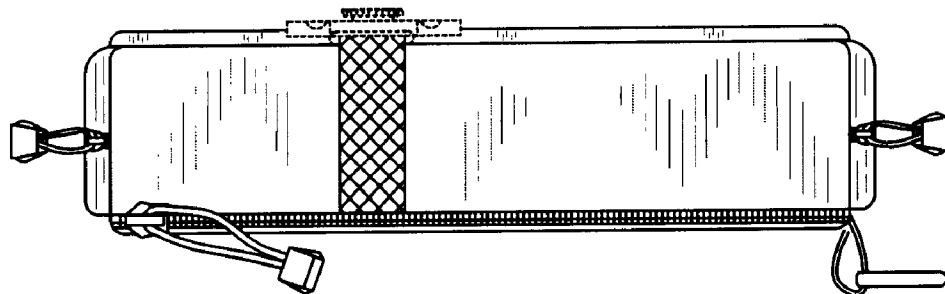
**FIG. 2**



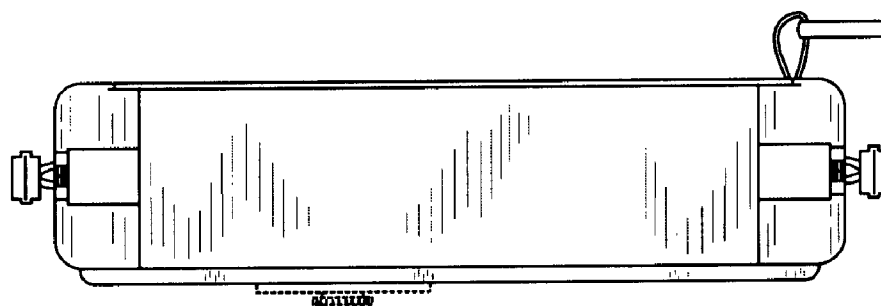
**FIG. 4**



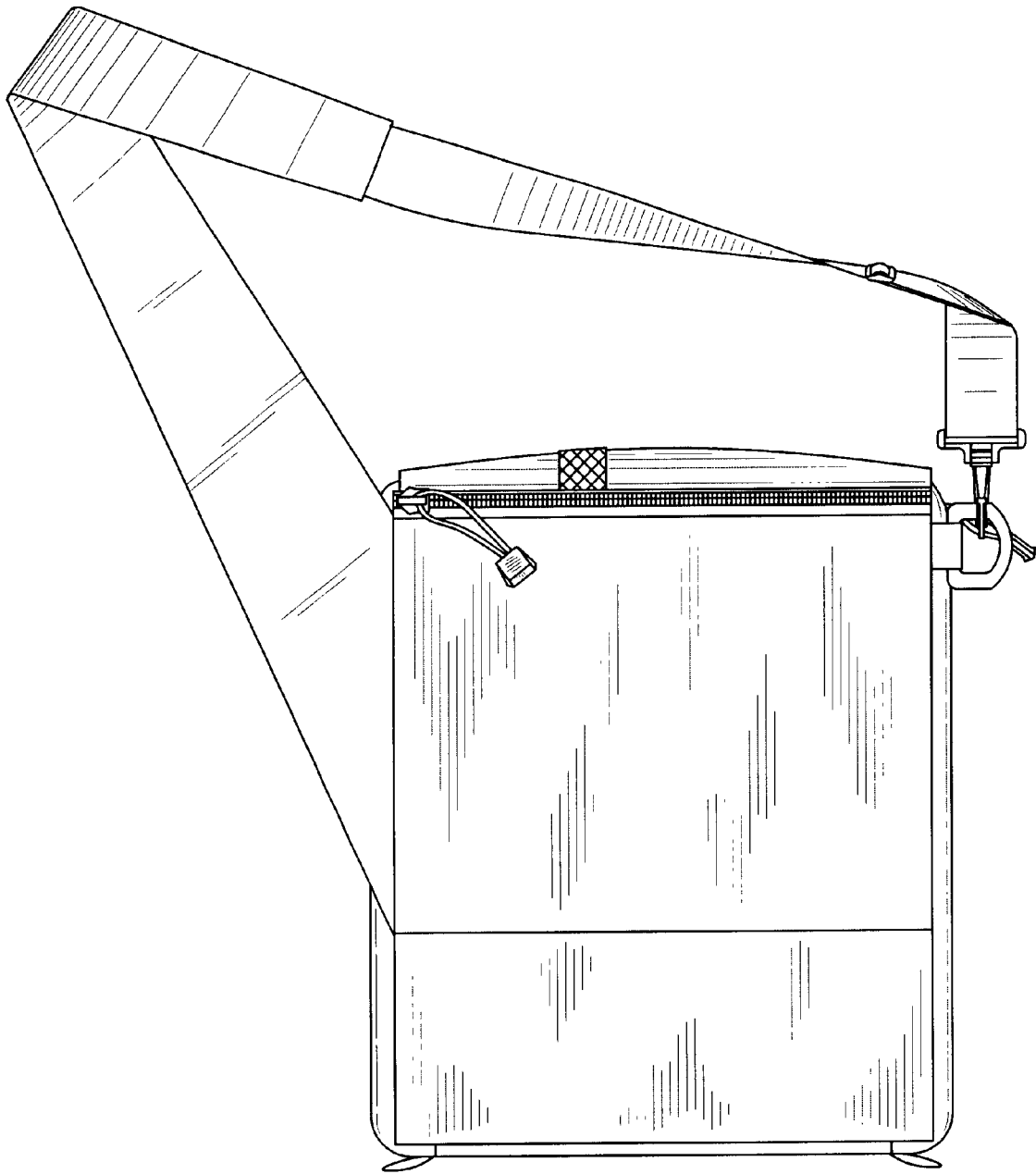
**FIG. 3**



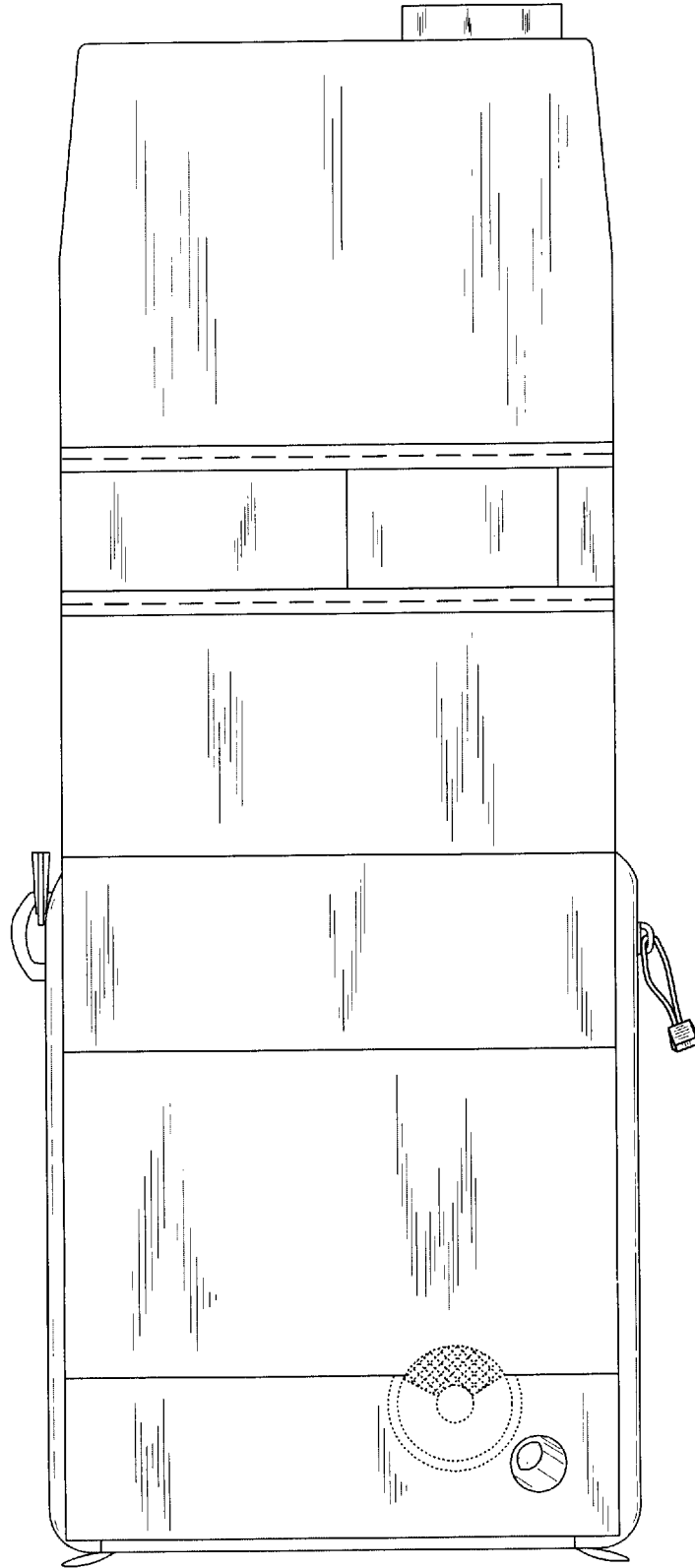
**FIG. 5**



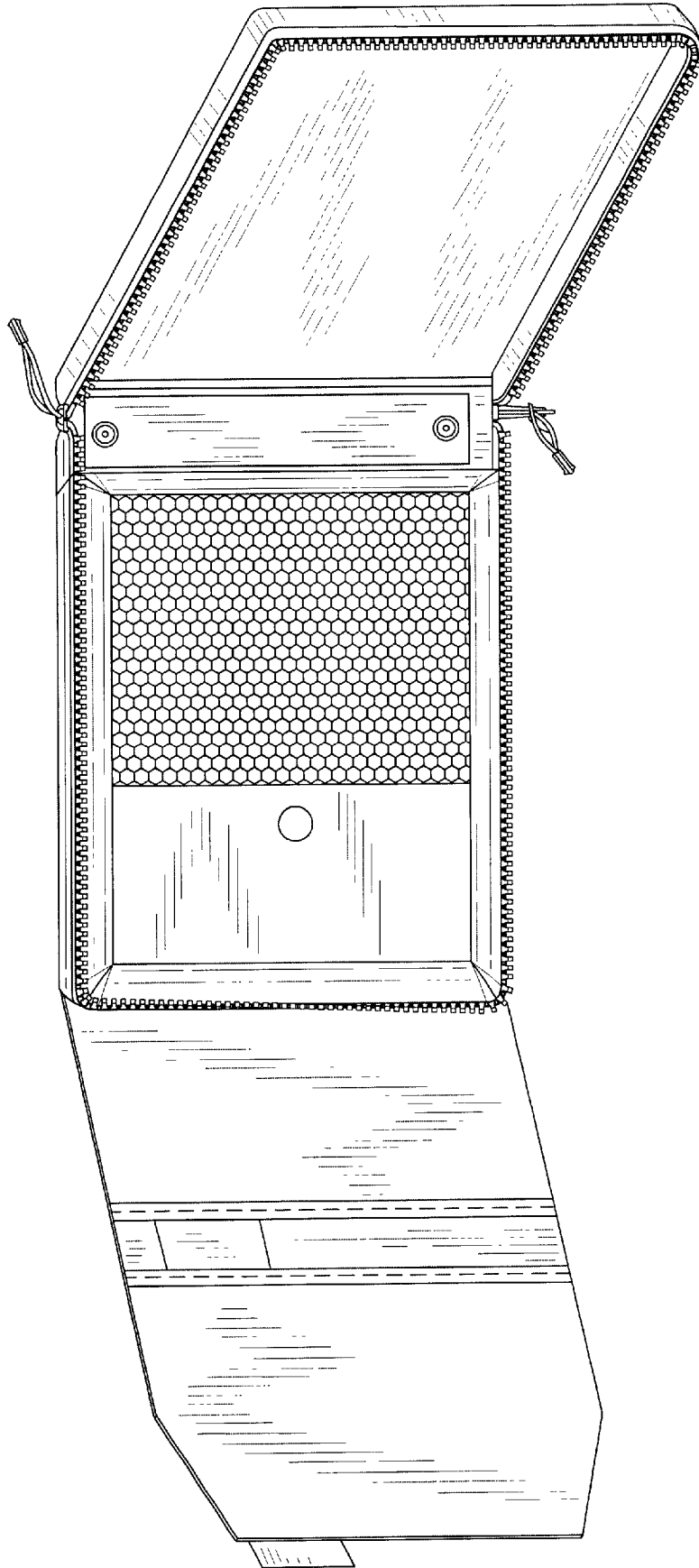
**FIG. 7**



**FIG. 6**

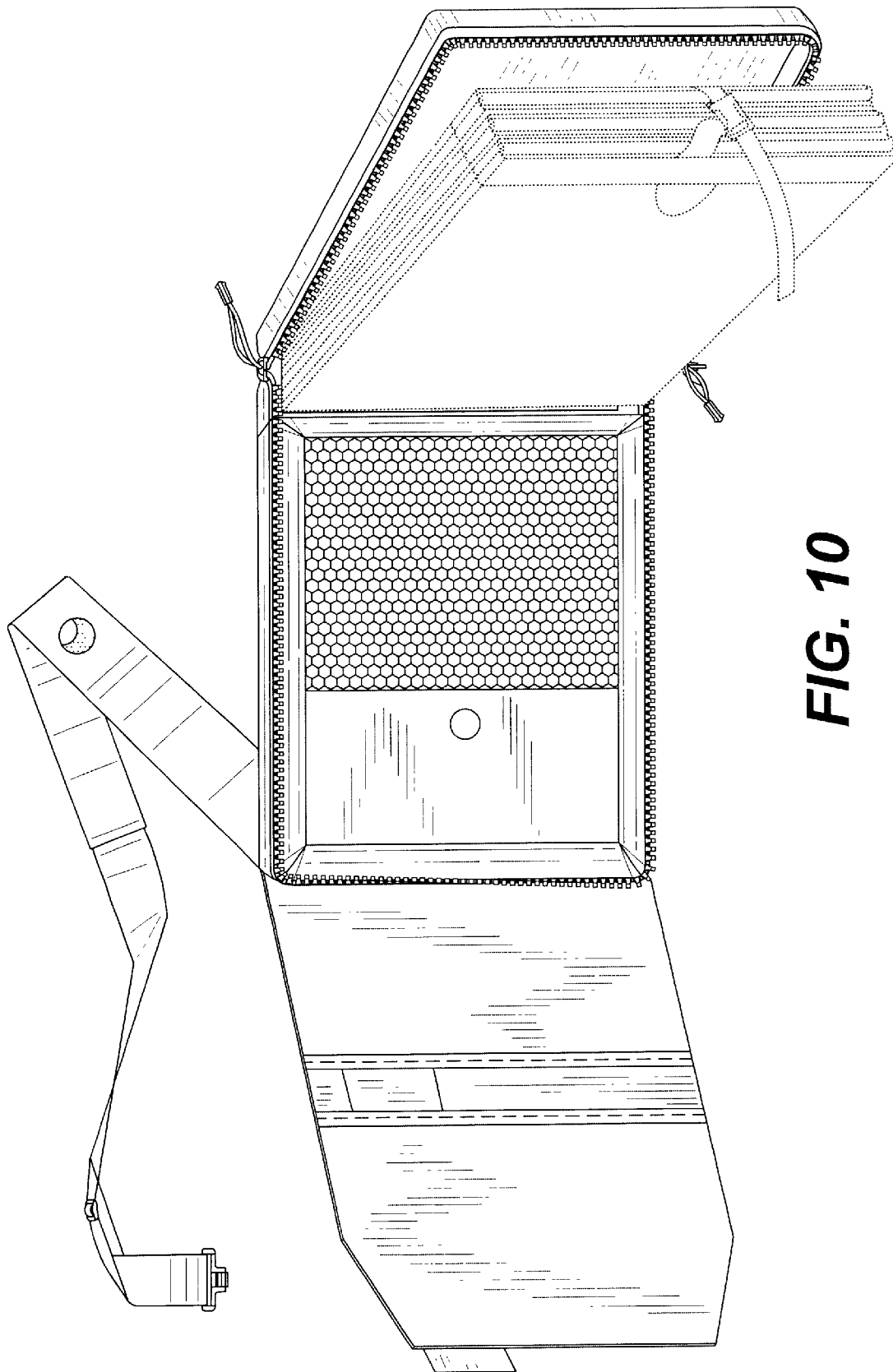


**FIG. 8**

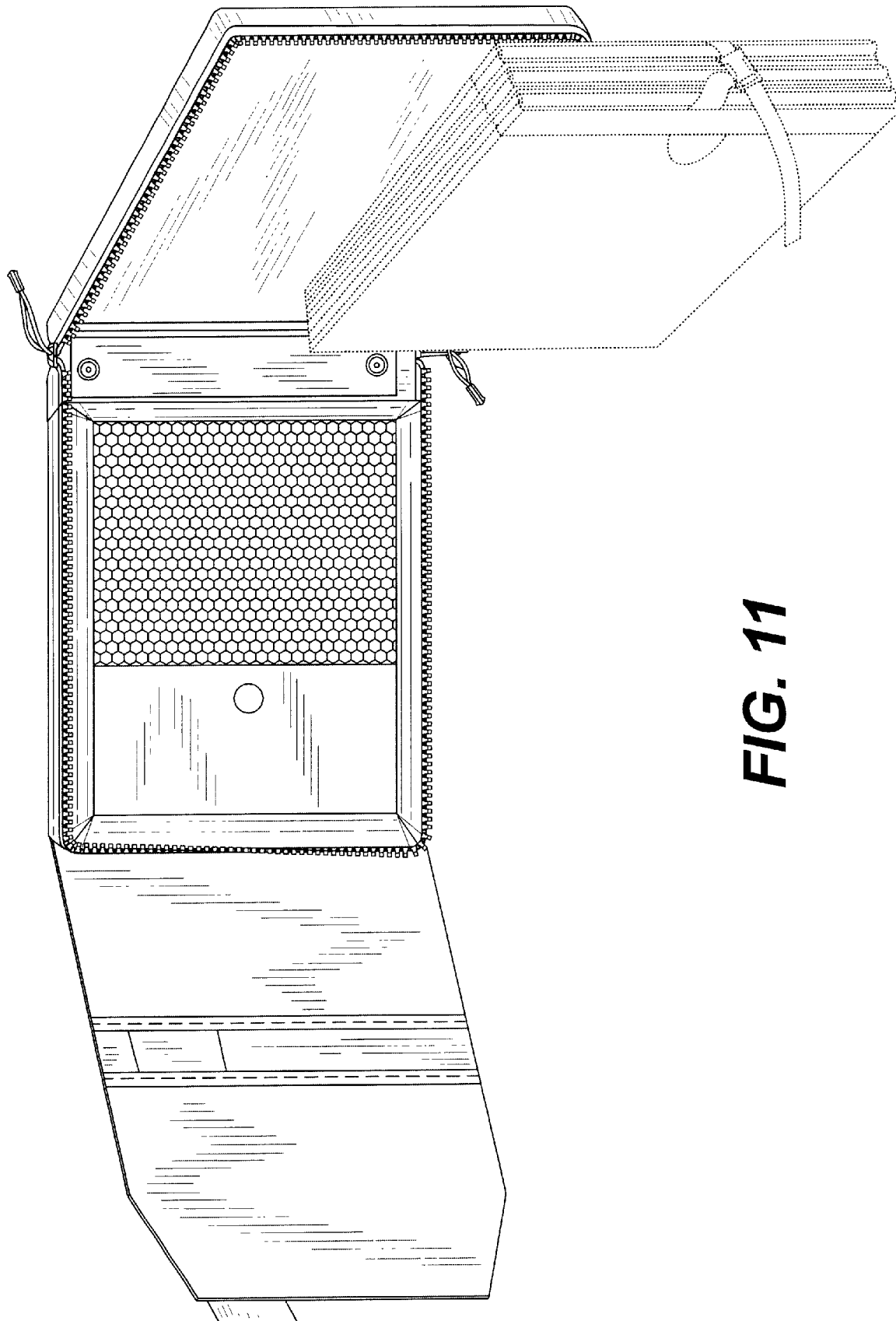


**FIG. 9**





**FIG. 10**



**FIG. 11**

UNITED STATES PATENT AND TRADEMARK OFFICE  
**CERTIFICATE OF CORRECTION**

PATENT NO. : Des. 469,605 S  
DATED : February 4, 2003  
INVENTOR(S) : Mitzi R. Vernon et al.

Page 1 of 1

It is certified that error appears in the above-identified patent and that said Letters Patent is hereby corrected as shown below:

Title page.

Insert the following:

-- This invention was made with government support under Contract Number HRD-9979287 awarded by the National Science Foundation. The government has certain rights in the invention. --.

Signed and Sealed this

Twenty-first Day of October, 2003

A handwritten signature in black ink, appearing to read "James E. Rogan", with a horizontal line underneath.

JAMES E. ROGAN  
*Director of the United States Patent and Trademark Office*