

Serhat Keles

From: Wally Schultz [WSchultz@decantermachine.com]
Sent: Sunday, May 09, 2010 5:09 PM
To: Serhat Keles
Subject: RE: Permission to use images

Serhat,
You have permission to use the images in your dissertation.
Regards,

Wally Schultz

Decanter Machine, Inc.

From: Serhat Keles [mailto:serhatk@vt.edu]
Sent: Friday, May 07, 2010 2:43 PM
To: Wally Schultz
Subject: Permission to use images

Wally,

I have used the two attached figures that I obtained from Decanter Machine website in my dissertation. The school will not accept the dissertation without a permission to use these figures from Decanter. Would you send me an email note that indicates whether it is okay or not to use the figures?

Thanks,

Serhat Keles
Ph. D. Candidate & Research Assistant
Mining & Minerals Engineering Department
Virginia Tech
mobile: 540-250-0428
email: serhatk@vt.edu

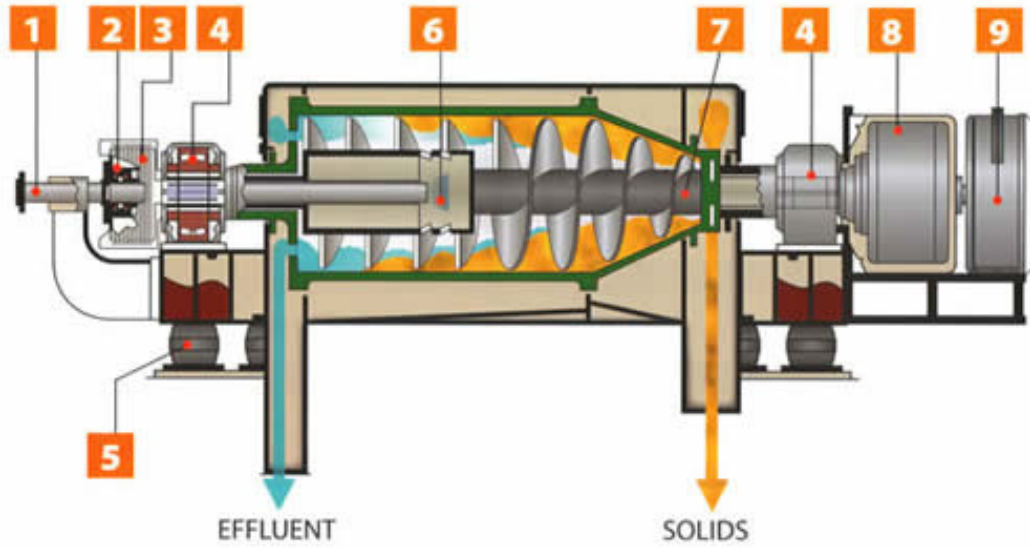


Figure 1.8 Components of a solid-bowl centrifuge (Decanter Machine, 2010)

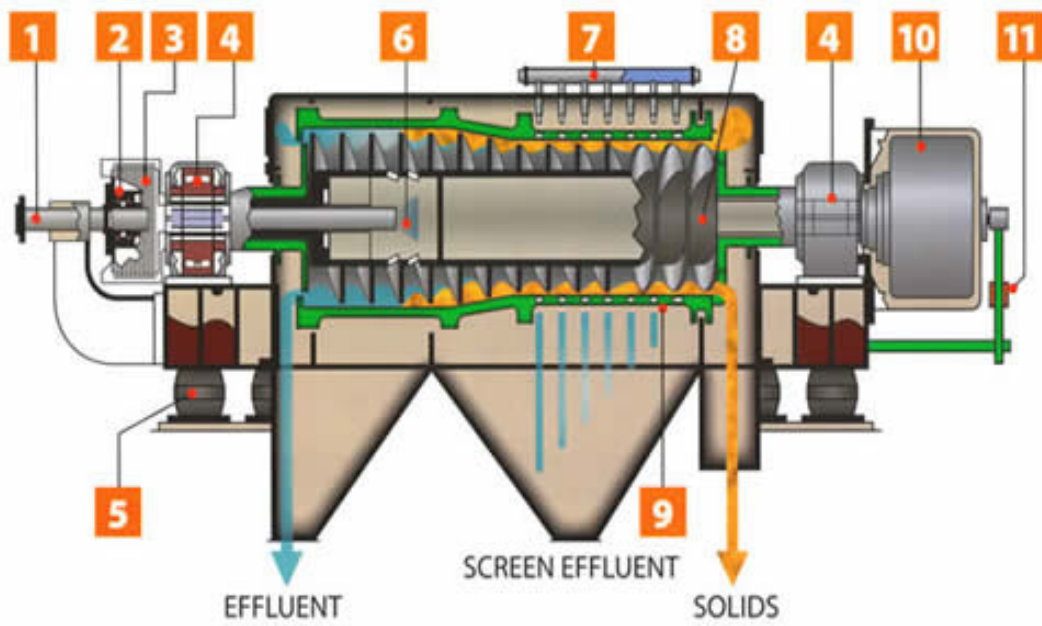


Figure 1.9 Components of a screenbowl centrifuge (Decanter Machine, 2010)